

Mainsail: 4000701 David Mainsail R1

Design Info
=====

Design File:
E:\Dropbox\Dropbox\Mike computer\Fareast Sails Production\2020\4000701 David\4000701 David Mainsail R1.des

Initial Design Date: 28/7/2020
Boat:

Comments:
tack anglei 88.5 d

Client:

Design Data
=====

Main

Measurements

Luff geodesic: 7.420m
 Leech geodesic: 7.890m
 Foot geodesic: 2.870m
 Head geodesic: 0.105m
 Upper width (MUW): 0.542m
 Three-quarter width (MTW): 0.987m
 Half width (MHW): 1.747m
 Quarter width (MQW): 2.353m
 Foot median: 7.618m
 ORC Mainsail area: 12.191m?
 Surface area: 12.518m?
 Clew height: 0.025m
 Mast rake: 0.200m

Battens

Position	Length	Roach	Angle	Luff	Leech	Full
80.000%	0.857m	0.135m	71.398?	5.931m	6.285m	Full
60.000%	0.760m	0.178m	71.398?	4.448m	4.714m	
40.000%	0.760m	0.148m	71.398?	2.965m	3.143m	
20.000%	0.760m	0.084m	71.398?	1.483m	1.571m	

Reefing Points

1, Luff: 1.600m ; Leech: 1.671m ; Offset: 0.000m ; Number Eyelets: 2
 2, Luff: 2.499m ; Leech: 2.612m ; Offset: 0.000m ; Number Eyelets: 2

Draft Stripes

1, Luff: 3.708m ; Leech: 3.863m ;

Luff Curve

		Fanned Luff (@ 5.00% [0.143m])	Before BSeam
7.420m,	0.000m	100% (7.420m) :	0.000m
6.495m,	-0.021m	90% (6.678m) :	0.032m
5.565m,	-0.036m	80% (5.936m) :	0.063m
4.632m,	-0.044m	70% (5.194m) :	0.086m
3.710m,	-0.045m	60% (4.452m) :	0.099m
2.765m,	-0.042m	50% (3.710m) :	0.101m
1.855m,	-0.033m	40% (2.968m) :	0.092m
0.925m,	-0.019m	30% (2.226m) :	0.076m
0.000m,	0.000m	20% (1.484m) :	0.053m
		10% (0.742m) :	0.026m
		0% (0.000m) :	0.000m

Mainsail: 4000701 David Mainsail R1

Seam Allowances			
Zone: 1	Split	Radial	Cross
	0.000m	0.000m	0.025m

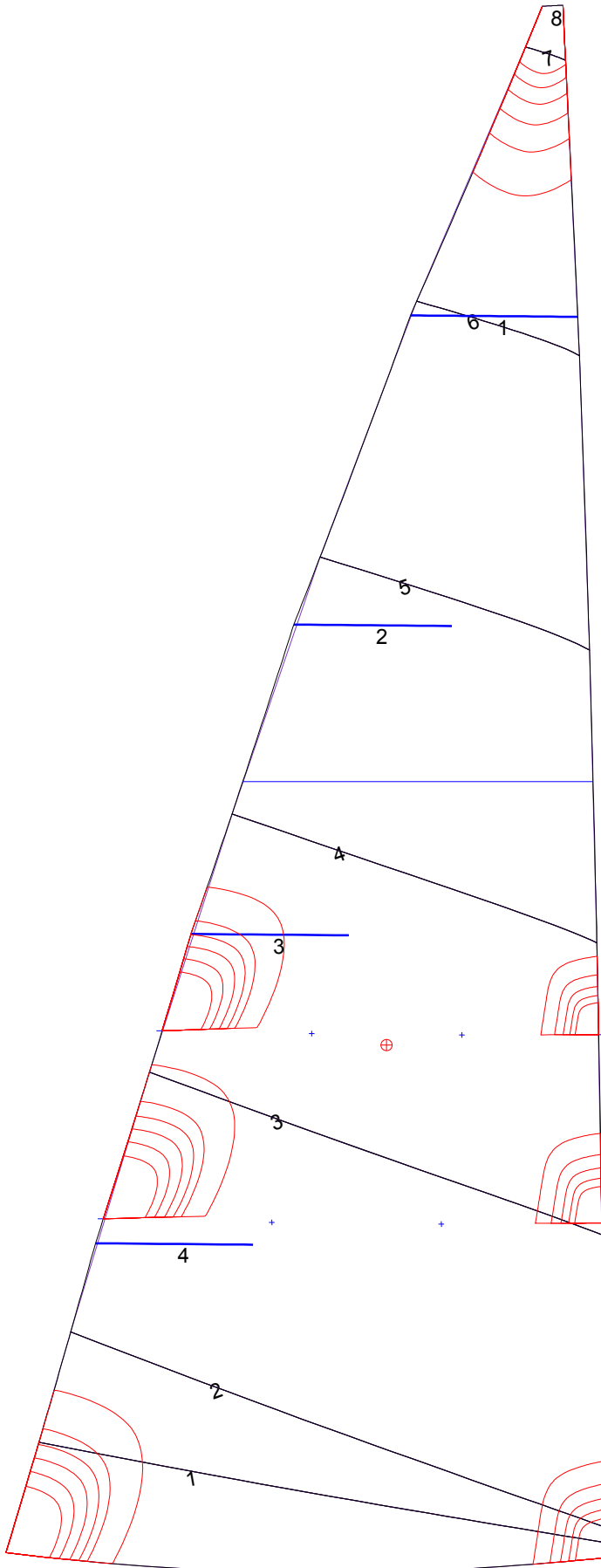
Edge Excesses			
Sail:	Luff	Leech	Foot
	0.000m	0.000m	0.000m

Total Seam Lengths (m)

Horizontal	12.31
Radial/Vertical	0.00
Bi-Radial Split	0.00

Materials

Material	Area (m ²)	Panels
Material 1	12.51	1,2,3,4,5 6,7,8



Mainsail: 4000701 David Mainsail R1

