

Genoa: 8000713 Simon Farr 38 Headsail.des

Design Info
=====

Design File:
\\NAS\Engineering files\Queenie-Customer Order\Fareast Sails\2024 Orders\Need to be Confirmed\8000713 Simon Farr

Initial Design Date: 26/7/2024
Boat:
Farr 38
Client:

Comments:

Design Data
=====

Genoa

Measurements

Luff geodesic:	12.020m
Leech geodesic:	10.231m
Foot geodesic:	4.250m
Headboard width:	0.035m
Luff perpendicular (HLP):	3.523m
Upper width (HUW):	0.389m
Three-quarter width (HTW):	0.762m
Half width (HHW):	1.591m
Quarter width (HQW):	2.522m
Foot median:	11.124m
ORC Headsail area:	20.104m?
IRC Headsail area:	20.060m?
Surface area:	20.476m?
Forestay height:	13.110m
J:	4.060m

Draft Stripes

1, Luff: 3.980m ; Leech: 2.515m ;
2, Luff: 7.955m ; Leech: 6.304m ;

Luff Curve

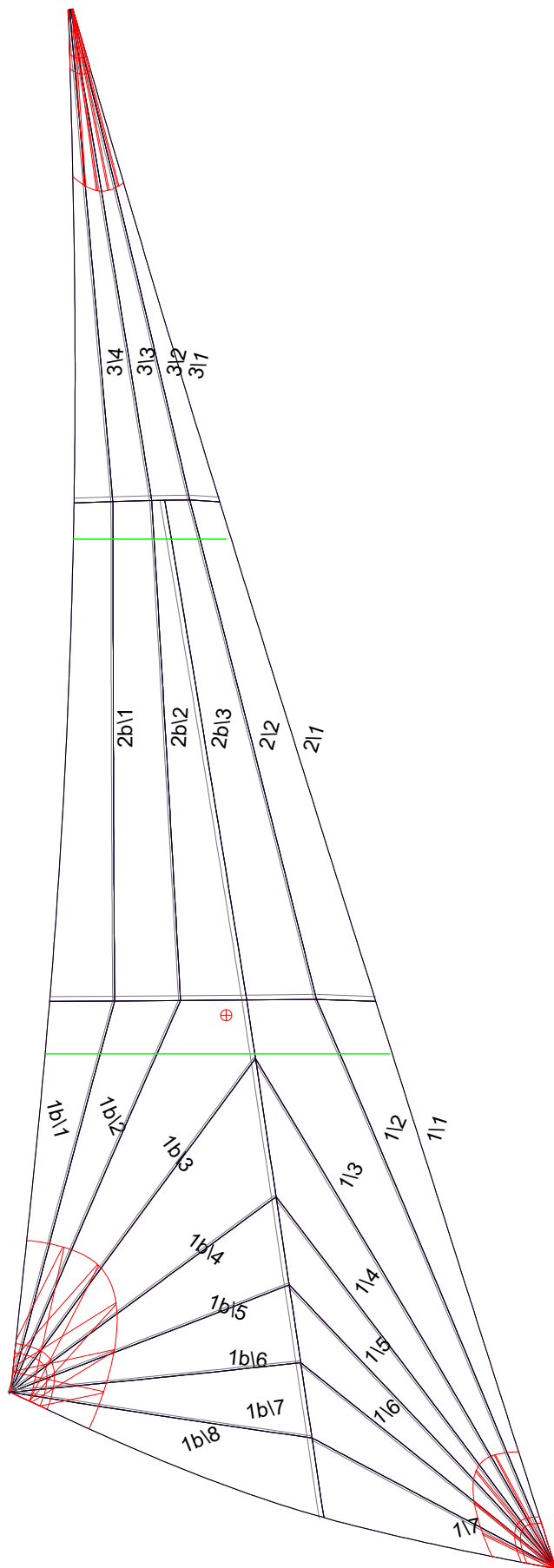
12.018m,	0.000m
11.020m,	0.030m
9.915m,	0.055m
8.943m,	0.067m
7.812m,	0.072m
5.981m,	0.063m
3.906m,	0.043m
2.031m,	0.021m
0.000m,	0.000m

Fanned Luff (@ 5.00% [0.201m])

100% (12.019m) :	-0.000m	0.000m
90% (10.818m) :	-0.034m	-0.008m
80% (9.615m) :	-0.059m	-0.009m
70% (8.414m) :	-0.071m	-0.004m
60% (7.212m) :	-0.074m	0.004m
50% (6.010m) :	-0.068m	0.014m
40% (4.808m) :	-0.058m	0.020m
30% (3.606m) :	-0.045m	0.022m
20% (2.404m) :	-0.030m	0.021m
10% (1.201m) :	-0.016m	0.014m
0% (0.000m) :	0.000m	0.000m

Before BSeam

Genoa: 8000713 Simon Farr 38 Headsail.des



Seam Allowances

	Split	Radial	Cross
Zone: 1/a	0.035m	0.015m	0.035m
Zone: 1/b	0.035m	0.015m	0.035m
Zone: 2/a	0.035m	0.015m	0.035m
Zone: 2/b	0.035m	0.015m	0.035m
Zone: 3	0.035m	0.015m	0.035m

Edge Excesses

Sail:	Luff	Leech	Foot
	0.000m	0.000m	0.000m

Total Seam Lengths (m)

Horizontal	3.64
Radial/Vertical	60.53
Bi-Radial Split	7.79

Materials

Material	Area (m ²)	Panels
Material 1	20.51	1/1,1/2,1/3,1/4,1/5 1/6,1/7,1b/1,1b/2,1b/3 1b/4,1b/5,1b/6,1b/7,1b/8 2/1,2/2,2b/3,2b/2,2b/1 3/1,3/2,3/3,3/4