

Mainsail: 8000522 Rob-1 Fullbattmain.des

Design Info
=====

Design File:
\\NAS\Engineering files\Queenie-Customer Order\Fareast Sails\2024 Orders\Need to be Confirmed\8000522 Rob main

Initial Design Date: 29/5/2024
Boat:

Comments:
tack angle 85 deg

Client:

Design Data
=====

Main

Measurements

Luff geodesic: 33.577Ft
 Leech geodesic: 35.284Ft
 Foot geodesic: 13.695Ft
 Head geodesic: 0.377Ft
 Upper width (MUW): 2.441Ft
 Three-quarter width (MTW): 4.491Ft
 Half width (MHW): 8.121Ft
 Quarter width (MQW): 11.156Ft
 Foot median: 33.926Ft
 ORC Mainsail area: 258.582Ft?
 Surface area: 262.822Ft?
 Clew height: 0.328Ft
 Mast rake: 0.000Ft

Battens

Position	Length	Roach	Angle	Luff	Leech	Full
82.000%	3.553Ft	0.546Ft	72.866?	27.486Ft	28.807Ft	Full
62.000%	6.668Ft	0.808Ft	72.866?	20.768Ft	21.781Ft	Full
42.000%	9.292Ft	0.710Ft	72.866?	14.056Ft	14.755Ft	Full
22.000%	11.548Ft	0.415Ft	72.866?	7.347Ft	7.729Ft	Full

Reefing Points

1, Luff: 4.091Ft ; Leech: 4.248Ft ; Offset: 0.000Ft ; Number Eyelets: 3
 2, Luff: 8.552Ft ; Leech: 8.858Ft ; Offset: 0.000Ft ; Number Eyelets: 3

Draft Stripes

1, Luff: 11.069Ft ; Leech: 10.542Ft ;
 2, Luff: 22.147Ft ; Leech: 22.426Ft ;

Luff Slides

1, Position: 2.648Ft
 2, Position: 5.215Ft
 3, Position: 9.728Ft
 4, Position: 11.904Ft
 5, Position: 16.293Ft
 6, Position: 18.531Ft
 7, Position: 23.007Ft
 8, Position: 25.247Ft
 9, Position: 29.516Ft
 10, Position: 31.547Ft

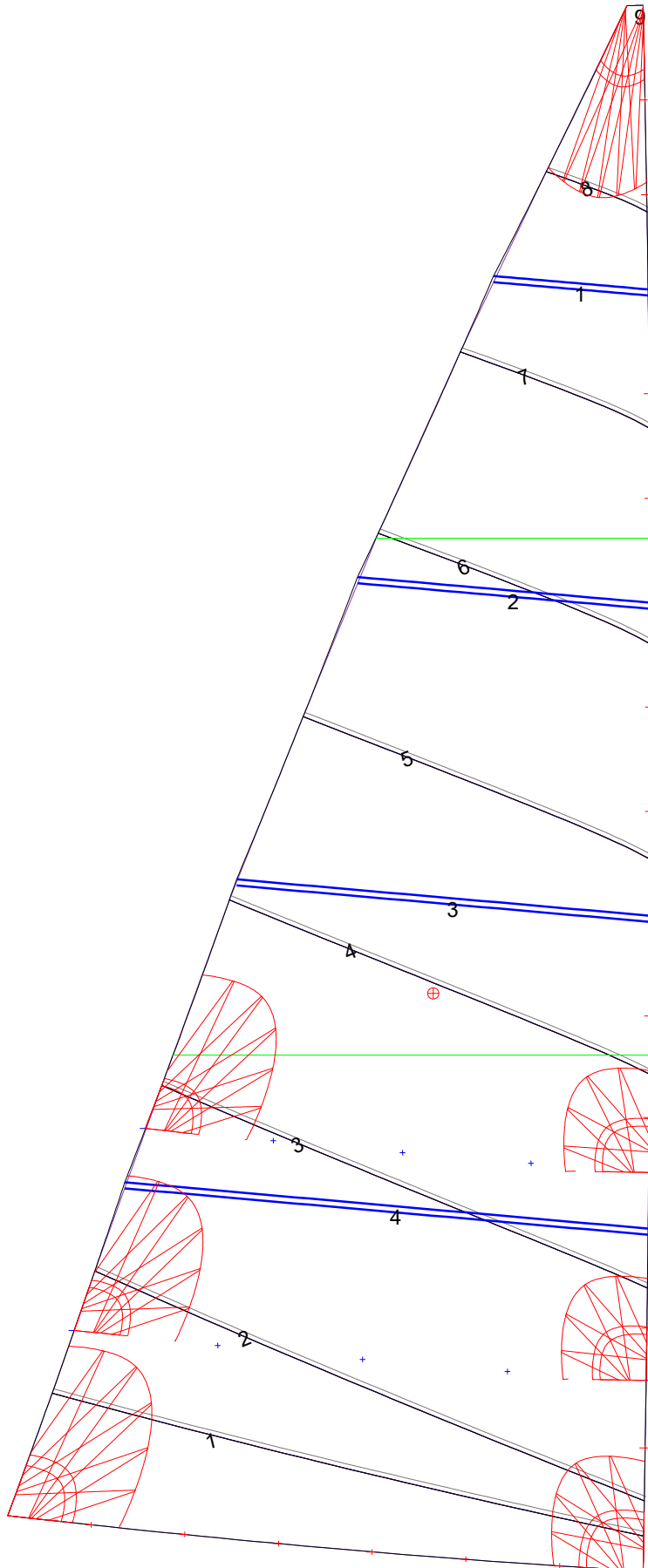
Foot Slides

1, Position: 1.804Ft
 2, Position: 3.822Ft
 3, Position: 5.839Ft
 4, Position: 7.856Ft
 5, Position: 9.873Ft
 6, Position: 11.891Ft

Luff Curve

		Fanned Luff (@ 5.00% [0.681Ft])	Before BSeam
33.576Ft,	0.000Ft	100% (33.577Ft) :	-0.000Ft
29.392Ft,	-0.078Ft	90% (30.221Ft) :	0.134Ft
25.182Ft,	-0.133Ft	80% (26.861Ft) :	0.252Ft
20.962Ft,	-0.157Ft	70% (23.504Ft) :	0.337Ft
16.788Ft,	-0.160Ft	60% (20.146Ft) :	0.388Ft
12.511Ft,	-0.148Ft	50% (16.789Ft) :	0.405Ft
8.394Ft,	-0.118Ft	40% (13.431Ft) :	0.392Ft
4.184Ft,	-0.067Ft	30% (10.073Ft) :	0.341Ft
0.000Ft,	0.000Ft	20% (6.715Ft) :	0.254Ft
		10% (3.359Ft) :	0.131Ft
		0% (0.000Ft) :	0.000Ft

Mainsail: 8000522 Rob-1 Fullbattmain.des



Seam Allowances			
Zone: 1	Split	Radial	Cross
	0.000Ft	0.000Ft	0.098Ft

Edge Excesses			
Sail:	Luff	Leech	Foot
	0.000Ft	0.000Ft	0.000Ft

Total Seam Lengths (Ft)

Horizontal	69.80
Radial/Vertical	0.00
Bi-Radial Split	0.00

Materials

Material	Area (Ft ²)	Panels
Material 1	262.66	1,2,3,4,5 6,7,8,9