

Mainsail: 8000517 Richard fullbattmain.des

Design Info
=====

Design File:
\\NAS\Engineering files\Queenie-Customer Order\Fareast Sails\2024 Orders\Need to be Confirmed\8000517 Richard r

Initial Design Date: 5/6/2024
Boat:

Comments:

Client:

Design Data
=====

Main

Measurements

Luff geodesic:	24.816Ft
Leech geodesic:	26.210Ft
Foot geodesic:	9.160Ft
Head geodesic:	0.335Ft
Upper width (MUW):	1.777Ft
Three-quarter width (MTW):	3.214Ft
Half width (MHW):	5.623Ft
Quarter width (MQW):	7.574Ft
Foot median:	25.214Ft
ORC Mainsail area:	131.260Ft²
Surface area:	133.908Ft²
Clew height:	0.328Ft
Mast rake:	0.000Ft

Battens

Position	Length	Roach	Angle	Luff	Leech	Full
80.000%	2.815Ft	0.519Ft	71.806?	19.854Ft	20.907Ft	Full
60.000%	4.856Ft	0.674Ft	71.806?	14.908Ft	15.680Ft	Full
40.000%	6.544Ft	0.573Ft	71.806?	9.963Ft	10.453Ft	Full
20.000%	7.949Ft	0.316Ft	71.806?	5.018Ft	5.227Ft	Full

Reefing Points

- 1, Luff: 3.026Ft ; Leech: 3.136Ft ; Offset: 0.000Ft ; Number Eyelets: 2
- 2, Luff: 6.325Ft ; Leech: 6.552Ft ; Offset: 0.000Ft ; Number Eyelets: 2

Draft Stripes

- 1, Luff: 8.186Ft ; Leech: 8.225Ft ;
- 2, Luff: 16.375Ft ; Leech: 16.873Ft ;

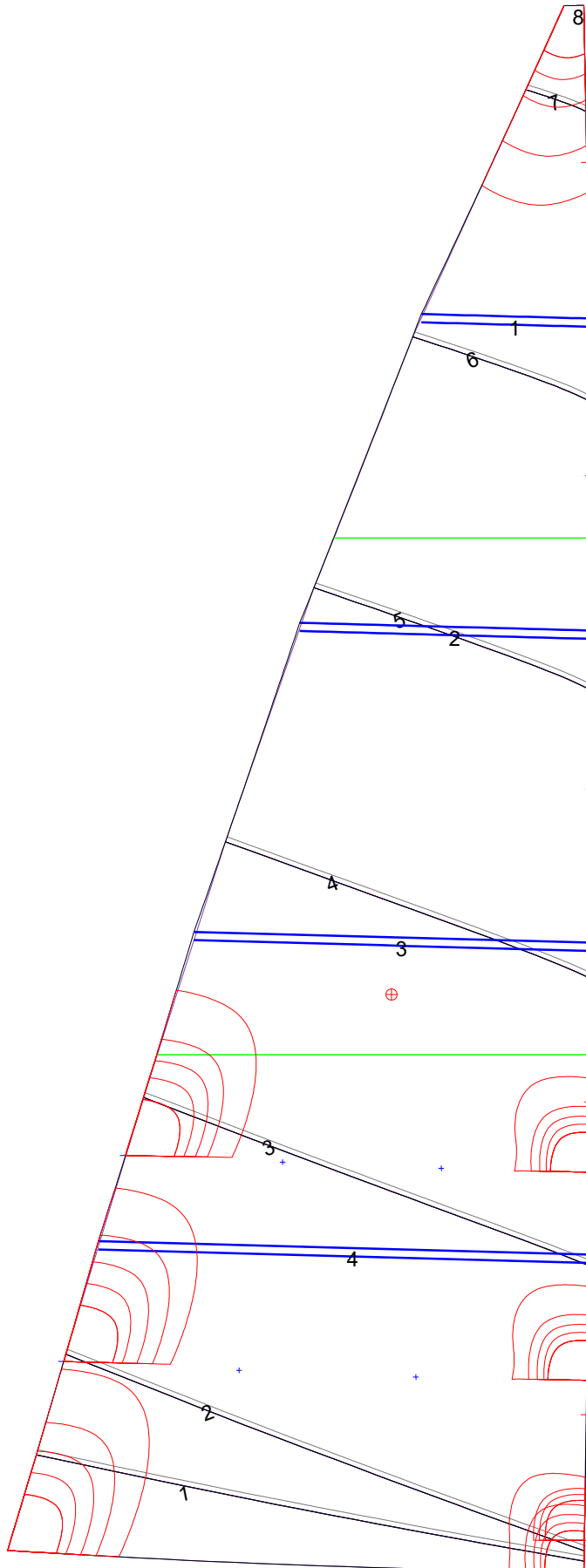
Luff Slides

- 1, Position: 2.479Ft
- 2, Position: 7.438Ft
- 3, Position: 12.398Ft
- 4, Position: 17.358Ft
- 5, Position: 22.328Ft

Luff Curve

		Fanned Luff (@ 5.00% [0.456Ft])	Before BSeam
24.815Ft,	0.000Ft	100% (24.816Ft) :	-0.000Ft 0.000Ft
21.723Ft,	-0.057Ft	90% (22.335Ft) :	0.036Ft 0.097Ft
18.612Ft,	-0.098Ft	80% (19.853Ft) :	0.065Ft 0.181Ft
15.492Ft,	-0.116Ft	70% (17.372Ft) :	0.082Ft 0.240Ft
12.407Ft,	-0.118Ft	60% (14.890Ft) :	0.087Ft 0.274Ft
9.246Ft,	-0.109Ft	50% (12.408Ft) :	0.087Ft 0.285Ft
6.204Ft,	-0.087Ft	40% (9.926Ft) :	0.080Ft 0.276Ft
3.092Ft,	-0.050Ft	30% (7.445Ft) :	0.067Ft 0.241Ft
0.000Ft,	0.000Ft	20% (4.963Ft) :	0.048Ft 0.179Ft
		10% (2.482Ft) :	0.023Ft 0.093Ft
		0% (0.000Ft) :	0.000Ft 0.000Ft

Mainsail: 8000517 Richard fullbattmain.des



Seam Allowances			
Zone: 1	Split	Radial	Cross
	0.000Ft	0.000Ft	0.082Ft

Edge Excesses			
Sail:	Luff	Leech	Foot
	0.000Ft	0.000Ft	0.000Ft

Total Seam Lengths (Ft)

Horizontal	40.99
Radial/Vertical	0.00
Bi-Radial Split	0.00

Materials

Material	Area (Ft ²)	Panels
Material 1	133.68	1,2,3,4,5 6,7,8