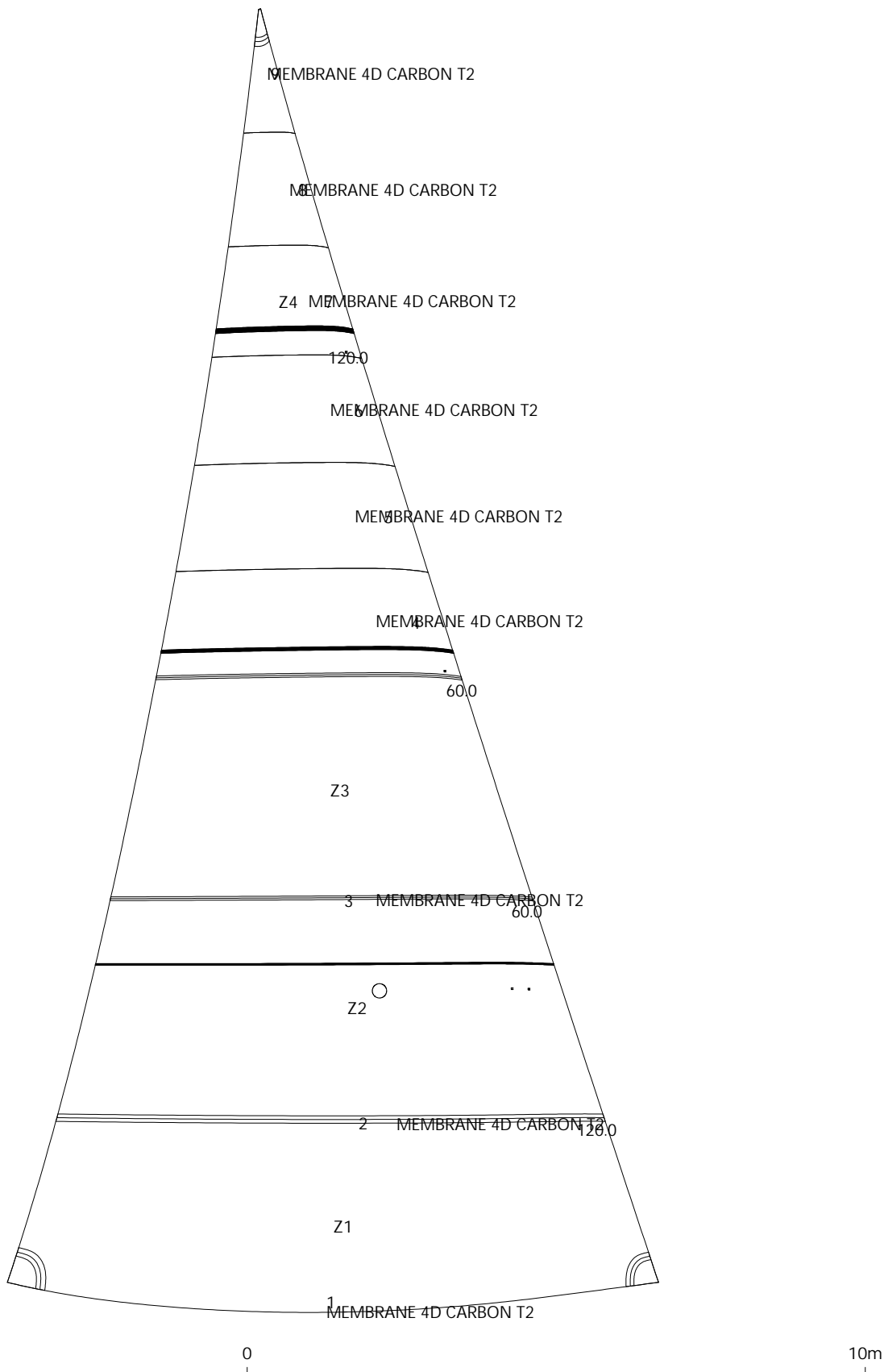




Date: 29/04/2024  
 Designer: BIFA  
 Company: Far East  
 Filename: Swan 61 145% Genoa.pak

Sail: Genoa Light  
 Boat: Swan 61  
 Customer:  
 Order Ref.:

# Panel layout

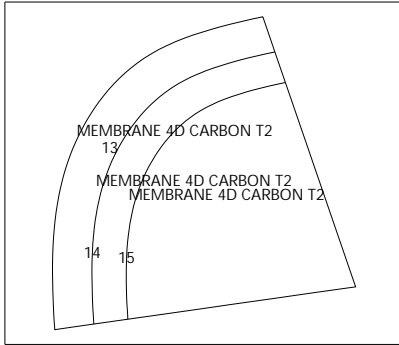




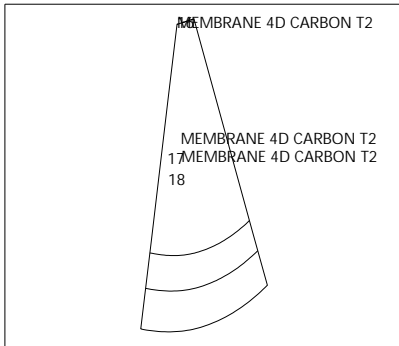
Date: 29/04/2024  
 Designer: BIFA  
 Company: Far East  
 Filename: Swan 61 145% Genoa.pak

Sail: Genoa Light  
 Boat: Swan 61  
 Customer:  
 Order Ref.:

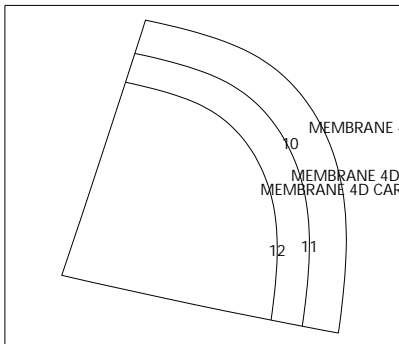
## Patch layout



P6



P7



P5



Date: 29/04/2024  
 Designer: BIFA  
 Company: Far East  
 Filename: Swan 61 145% Genoa.pak

Sail: Genoa Light  
 Boat: Swan 61  
 Customer:  
 Order Ref.:

## Measurement Check List

### Measurement rules Ref.: Genoa IRC

Area = 108.08 m<sup>2</sup> [Luff] = 21.601 m [HTW] = 2.304 m [HHW] = 4.784 m [HHB] = 0.038 m HSA = 106.09 [Lp] = 10.165 m [Leech] = 21.057 m [GeoFoot] = 10.590 m

Angles (Flat on the floor) Clew: 83.98 i ª Tack: 79.42 i ª Head: 23.76 i ª

### Roach (After broadseaming)

	1/8	2/8	3/8	4/8	5/8	6/8	7/8
Luff	-67.8 mm	-116.3 mm	-147.5 mm	-162.2 mm	-159.7 mm	-138.1 mm	-88.5 mm
Leech	-299.4 mm	-472.6 mm	-553.8 mm	-563.8 mm	-513.0 mm	-400.7 mm	-227.4 mm

### Reef, Battens, Shape stripes

	Luff (m) (ref: tack)	Leech (m) (ref: clew)	Length (m)	Width (m)
Shape Stripe	5.419	5.353	7.656	0.025
Shape Stripe	10.738	10.528	5.004	0.050
Shape Stripe	16.170	15.793	2.409	0.075

### Area & Weight

Sail area: 108.08 m<sup>2</sup> Reefed: No reef

Material area: 112.74 m<sup>2</sup> Material weight: ??? Total weight: ???

### Materials

Material's ID	Material's ref. (&color)	Area (m <sup>2</sup> )	Mass (gr)	Panels
ANE 4D CAF	Default	112.74		1-9 10-18

### Seam width

Seam width (mm)	Zones; Total length (m)
120.0	Zones: Z4; Zone-seams: 1; TOTAL: 22.1m
60.0	Zone-seams: 2...3; TOTAL: 12.3m

### Sail outline finishings

Hemmings: None

Outline drawings: None

### Notes





Date: 29/04/2024  
 Designer: BIFA  
 Company: Far East  
 Filename: Swan 61 145% Genoa.pak

**Sail: Genoa Light**  
**Boat: Swan 61**  
**Customer:**  
 Order Ref.:

## Yarn layout

### Fibre groups

Id	Fibre group	Fibre	Nb pass	Fibre denier Pass denier	Nb fib. / pass	Fibre length Pass length
1001	upper leech	Carbon/Technora black	35	Avg:4500.0 9000.0	2	1528.4 m 764.22 m
1002	lower leech	Carbon/Technora black	30	Avg:4500.0 9000.0	2	645.00 m 322.50 m
1003	luff	Carbon/Technora black	45	Avg:4500.0 9000.0	2	2040.1 m 1020.0 m
1004	upper foot	Carbon/Technora black	45	Avg:4500.0 9000.0	2	1038.4 m 519.22 m
1005	lower foot	Carbon/Technora black	16	Avg:4500.0 9000.0	2	341.49 m 170.74 m
-----	----- TOTAL -----	-----	-----	Fibre mass 2796.7 gr	-----	5593.4 m 2796.7 m

### Fibre combinations details

- **Carbon/Technora black**

Carbon/Technora black  
 carbon 6K 6000.0 den.  
 Space: 12.0 mm  
 Technora black 3000 3000.0 den.

### DPI Measurements

Id	Tool name / Measurement	Value
1	Tool name..., Average density (DPI)	4194
-----	----- AVERAGE DPI -----	4194





Date: 29/04/2024  
Designer: BIFA  
Company: Far East  
Filename: Swan 61 145% Genoa.pak

**Sail: Genoa Light**  
**Boat: Swan 61**  
**Customer:**  
Order Ref.:

## Yarn layout

