

Mainsail: 5000429 Jens-V2

Design Info
=====

Design File:
E:\dropbox\Dropbox\Fareast Sails\2021\5000429 Jens\5000429 Jens-V2.des

Initial Design Date: 9/9/2021
Boat:

Comments:

Client:

Design Data
=====

Main

Measurements

Luff geodesic: 10.650m
Leech geodesic: 11.247m
Foot geodesic: 3.930m
Head geodesic: 0.115m
Upper width (MUW): 0.678m
Three-quarter width (MTW): 1.251m
Half width (MHW): 2.291m
Quarter width (MQW): 3.160m
Foot median: 10.900m
ORC Mainsail area: 23.220m?
Surface area: 23.655m?
Clew height: 0.100m
Mast rake: 0.000m

Battens

Position	Length	Roach	Angle	Luff	Leech	Full
80.000%	1.058m	0.118m	71.479?	8.518m	8.968m	Full
60.000%	1.931m	0.160m	71.479?	6.392m	6.726m	Full
40.000%	2.674m	0.133m	71.479?	4.265m	4.484m	Full
20.000%	3.327m	0.073m	71.479?	2.139m	2.242m	Full

Reefing Points

1, Luff: 1.597m ; Leech: 1.678m ; Offset: 0.000m ; Number Eyelets: 2
2, Luff: 3.194m ; Leech: 3.353m ; Offset: 0.000m ; Number Eyelets: 2

Luff Curve

Position	Length	Fanned Luff (@ 5.00% [0.196m])	Before BSeam
10.650m,	0.000m	100% (10.650m) :	0.000m
7.987m,	-0.040m	90% (9.585m) :	0.012m
5.325m,	-0.053m	80% (8.520m) :	0.067m
2.662m,	-0.040m	70% (7.455m) :	0.097m
0.000m,	0.000m	60% (6.390m) :	0.117m
		50% (5.325m) :	0.121m
		40% (4.260m) :	0.112m
		30% (3.195m) :	0.093m
		20% (2.130m) :	0.065m
		10% (1.065m) :	0.030m
		0% (0.000m) :	0.000m

Section Data

Position	Camber	Draft	Twist	Entry	Exit	Roach	Fwd Camb	Aft Camb
100.00%	2.366%	40.694%	19.969?	24.769?	-7.857?	0.000m	2.302%	2.119%
80.00%	8.951%	41.325%	15.975?	44.141?	-16.691?	0.000m	7.307%	6.961%
60.00%	11.827%	41.957%	11.982?	52.762?	-20.982?	0.000m	9.439%	9.013%
40.00%	10.628%	42.589%	7.988?	51.239?	-19.071?	0.000m	8.488%	8.062%
20.00%	7.588%	43.221%	3.994?	44.917?	-14.686?	0.000m	6.171%	5.794%
10.00%	5.285%	43.537%	1.997?	38.590?	-10.999?	0.000m	4.423%	4.077%
0.00%	2.300%	43.853%	0.000?	28.142?	-7.132?	0.000m	2.148%	1.898%

Chord Data

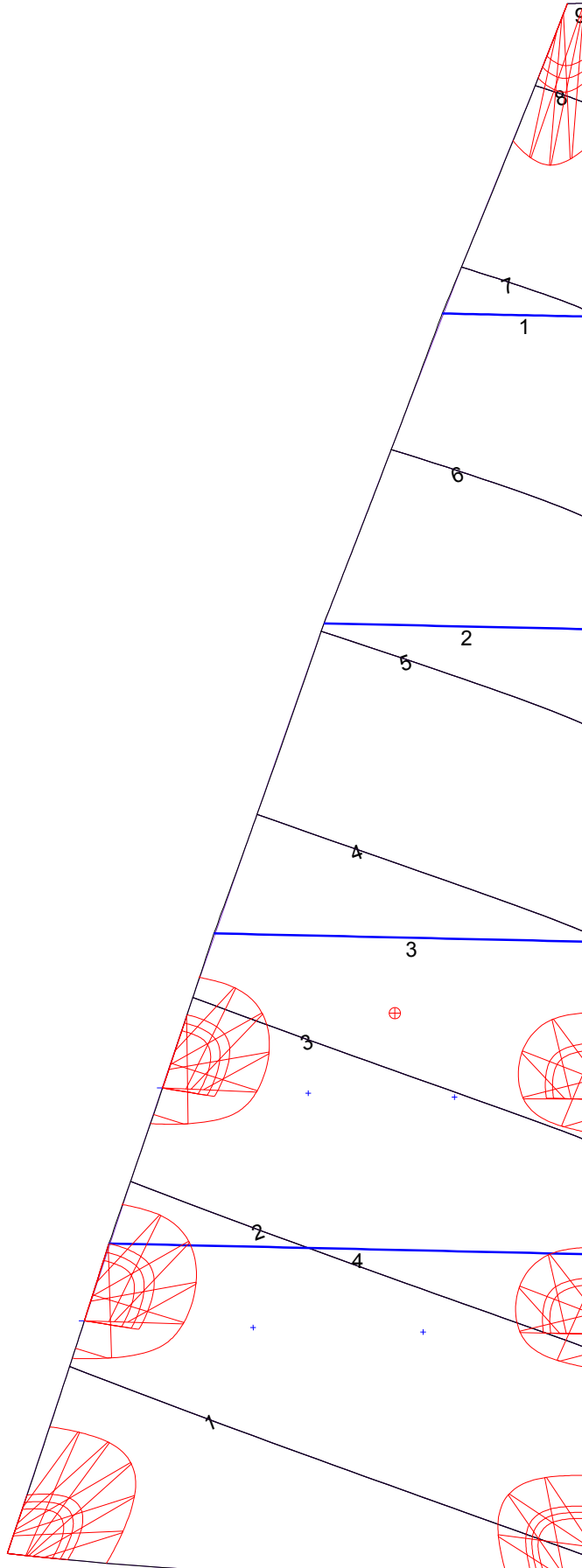
Luff P : 10.6495m
Foot E : 3.9184m
Leech : 11.0907m
Headboard width : 0.1147m

Include Headboard in Diagonal: Diagonal from Outer End of Headboard

Fanned Foot Curve Depths

25.0%	50.0%	75.0%
0.0568m	0.0763m	0.0557m

Mainsail: 5000429 Jens-V2



Seam Allowances			
Zone: 1	Split	Radial	Cross
	0.000m	0.000m	0.025m

Edge Excesses			
Sail:	Luff	Leech	Foot
	0.000m	0.000m	0.000m

Total Seam Lengths (m)

Horizontal	17.52
Radial/Vertical	0.00
Bi-Radial Split	0.00

Materials

Material	Area (m ²)	Panels
Material 1	23.68	1,2,3,4,5 6,7,8,9