

Flying Jib

All dimensions in metres

Luff----- 16.90 Leach----- 8.40
 Foot----- 10.40

Note: The mitre, from the clew to the luff, is cut at right angles (90 degrees) to the luff. Cloth panels in lower half of sail are cut at right angles to the foot. In the upper half, the panels are cut at right angles to the leach.

Outer Jib for s/v Alvei

Luff - 14.37

Leech - 7.88

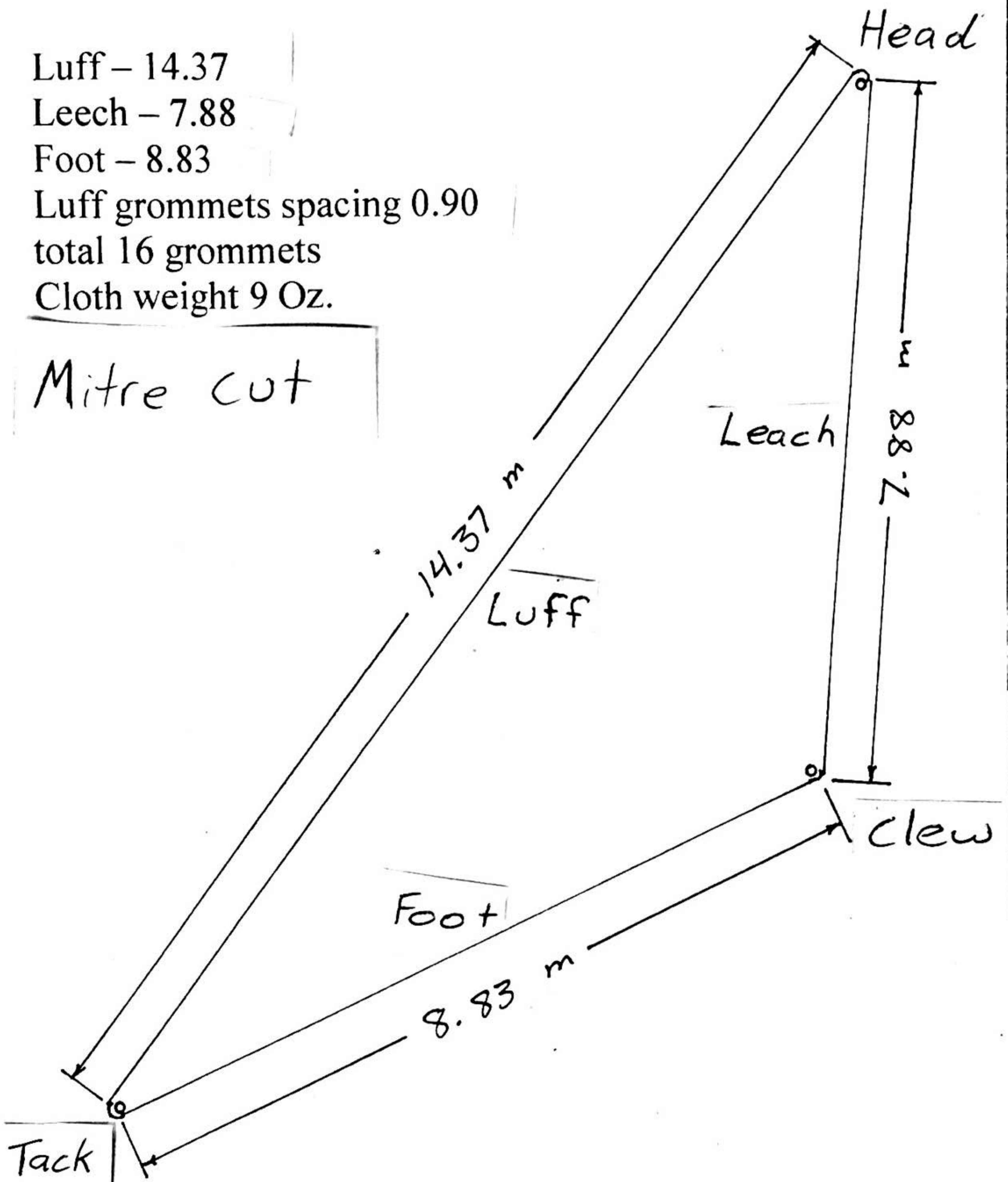
Foot - 8.83

Luff grommets spacing 0.90

total 16 grommets

Cloth weight 9 Oz.

Mitre cut



Inner Jib for s/v Alvei

Luff - 9.20

Leech - 4.91

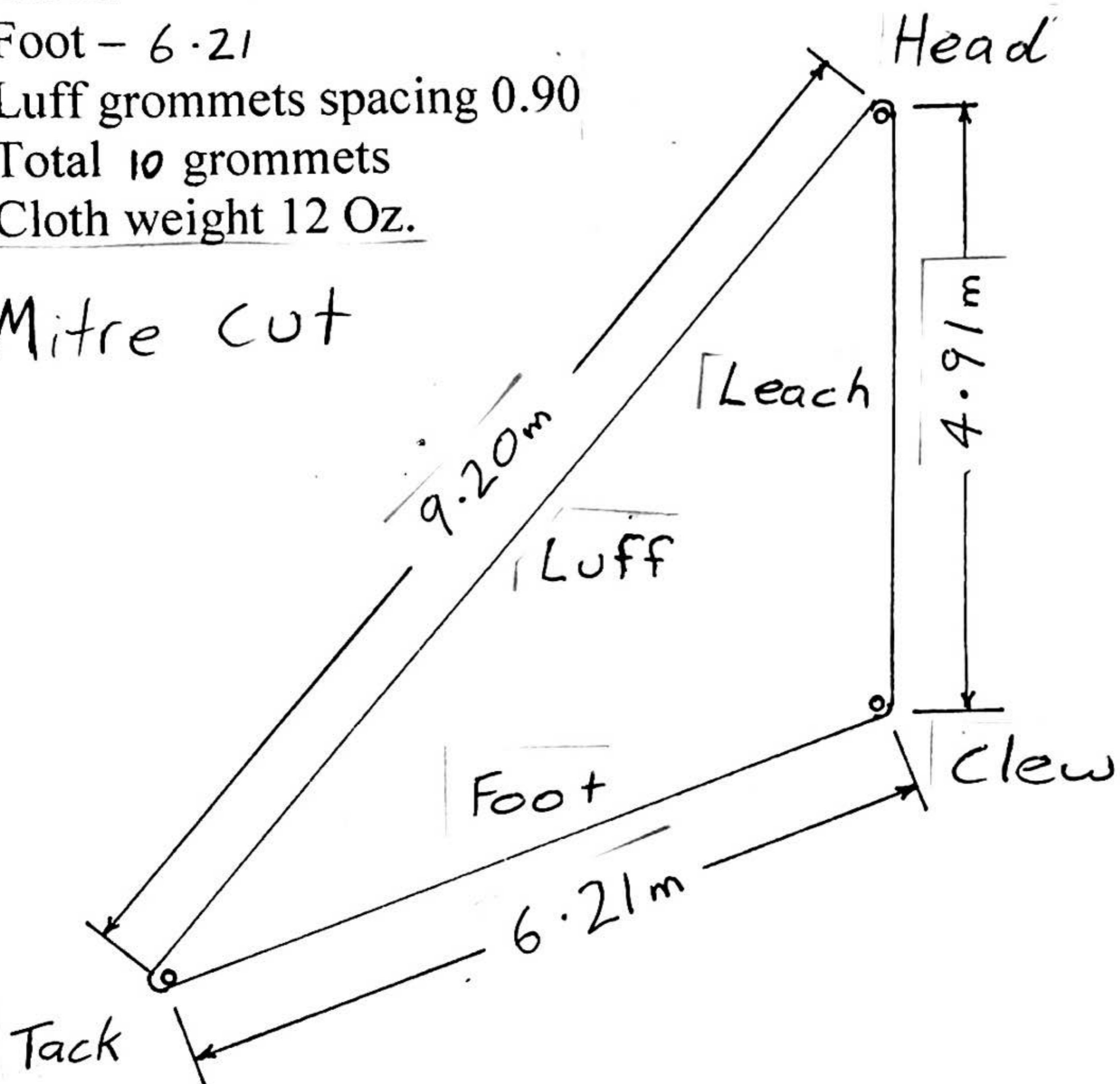
Foot - 6.21

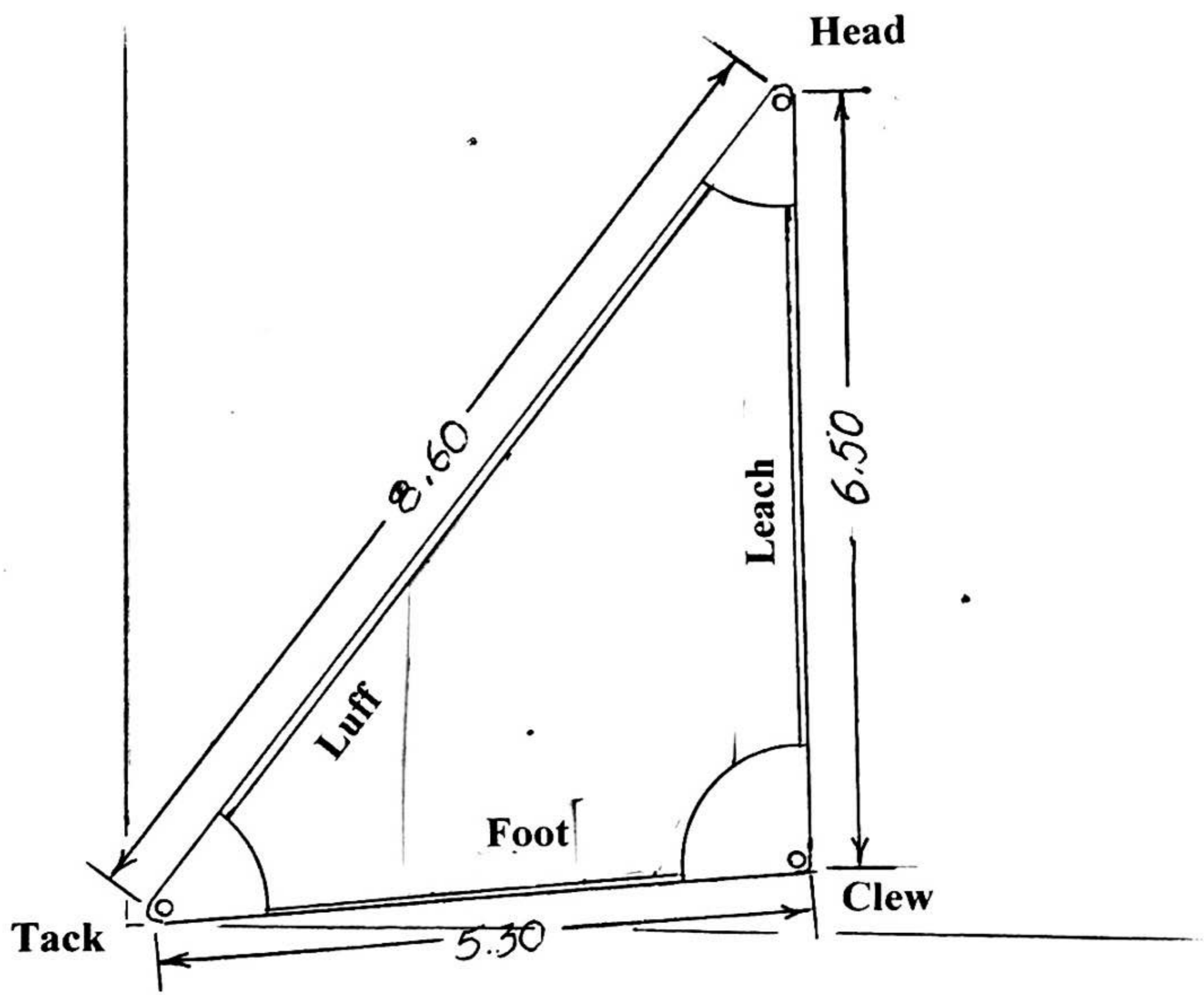
Luff grommets spacing 0.90

Total 10 grommets

Cloth weight 12 Oz.

Mitre cut





Fore Staysail

All dimensions are in metres

Mitre cut

Luff-----	8.60	Leach-----	6.50
Foot-----	5.30		