

Genoa: 8001113 Paul hanks headsail.des

Design Info
=====

Design File:
\\NAS\Engineering files\Queenie-Customer Order\Fareast Sails\2024 Orders\Need to be Confirmed\8001113 Paul head

Initial Design Date: 20/11/2024
Boat:

Comments:

Client:

Design Data
=====

Genoa

Measurements

Luff geodesic:	11.880m
Leech geodesic:	10.989m
Foot geodesic:	4.290m
Headboard width:	0.050m
Luff perpendicular (HLP):	3.979m
Upper width (HUW):	0.574m
Three-quarter width (HTW):	1.086m
Half width (HHW):	2.056m
Quarter width (HQW):	3.026m
Foot median:	11.422m
ORC Headsail area:	24.246m?
IRC Headsail area:	24.247m?
Surface area:	24.763m?
Forestay height:	13.210m
J:	3.660m

Battens

Position	Length	Roach	Angle	Luff	Leech	Full
80.000%	0.931m	0.075m	84.750?	9.608m	8.760m	Full
60.000%	1.733m	0.055m	84.750?	7.348m	6.570m	Full
40.000%	1.000m	0.027m	84.750?	5.088m	4.380m	
20.000%	1.073m	0.012m	84.750?	2.828m	2.190m	

Draft Stripes

- 1, Luff: 3.936m ; Leech: 3.258m ;
- 2, Luff: 7.866m ; Leech: 7.045m ;

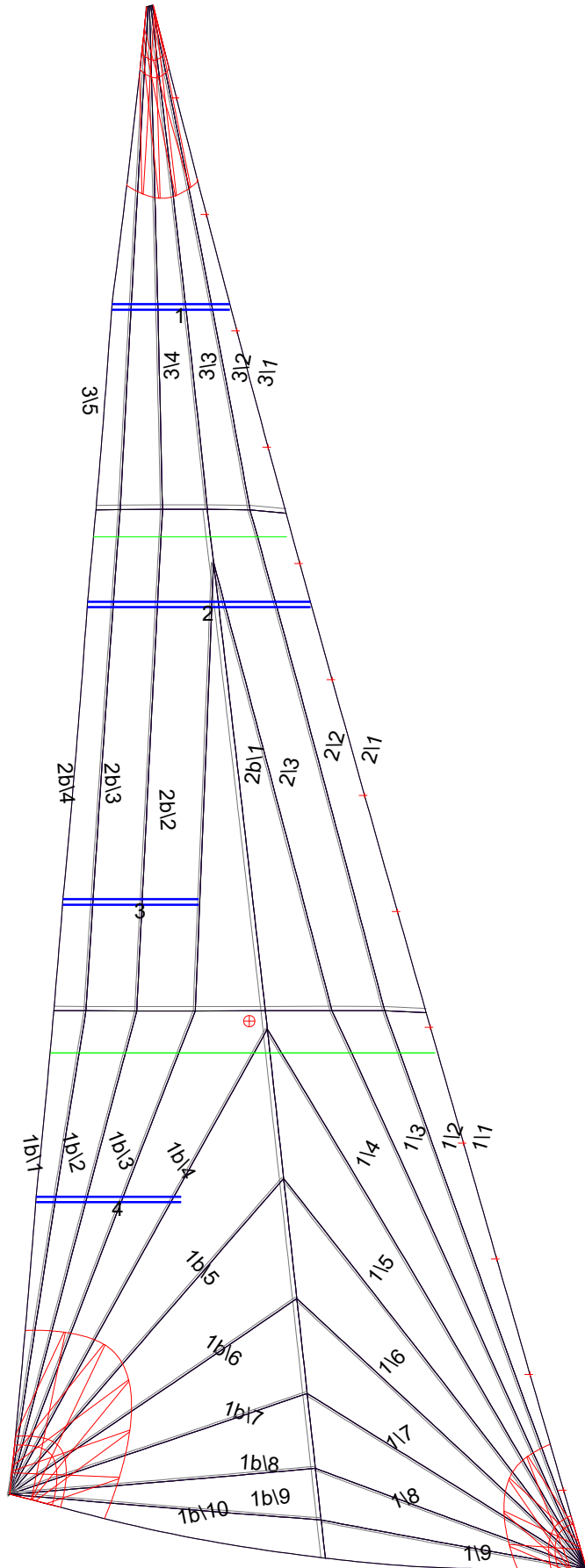
Luff Slides

- 1, Position: 0.600m
- 2, Position: 1.482m
- 3, Position: 2.363m
- 4, Position: 3.245m
- 5, Position: 4.127m
- 6, Position: 5.008m
- 7, Position: 5.890m
- 8, Position: 6.772m
- 9, Position: 7.653m
- 10, Position: 8.535m
- 11, Position: 9.417m
- 12, Position: 10.298m
- 13, Position: 11.180m

Luff Curve

		Fanned Luff (@ 5.00% [0.211m])	Before BSeam
11.878m,	0.000m	100% (11.878m) :	-0.000m 0.000m
10.891m,	0.040m	90% (10.690m) :	-0.044m -0.009m
9.799m,	0.073m	80% (9.504m) :	-0.075m -0.011m
8.838m,	0.090m	70% (8.315m) :	-0.092m -0.008m
7.721m,	0.096m	60% (7.127m) :	-0.095m -0.001m
5.911m,	0.084m	50% (5.939m) :	-0.087m 0.008m
3.860m,	0.057m	40% (4.751m) :	-0.074m 0.013m
2.008m,	0.029m	30% (3.563m) :	-0.058m 0.015m
0.000m,	0.000m	20% (2.376m) :	-0.039m 0.014m
		10% (1.187m) :	-0.021m 0.008m
		0% (0.000m) :	0.000m 0.000m

Genoa: 8001113 Paul hanks headsail.des



Seam Allowances

Zone:	Split	Radial	Cross
Zone: 1/a	0.032m	0.015m	0.032m
Zone: 1/b	0.032m	0.015m	0.032m
Zone: 2/a	0.032m	0.015m	0.032m
Zone: 2/b	0.032m	0.015m	0.032m
Zone: 3	0.032m	0.015m	0.032m

Edge Excesses

Sail:	Luff	Leech	Foot
	0.000m	0.000m	0.000m

Total Seam Lengths (m)

Horizontal	4.31
Radial/Vertical	87.21
Bi-Radial Split	8.04

Materials

Material	Area (m ²)	Panels
Material 2	24.75	1\1,1\2,1\3,1\4,1\5 1\6,1\7,1\8,1\9,1b1 1b2,1b3,1b4,1b5,1b6 1b7,1b8,1b9,1b10,2\1 2\2,2\3,2b1,2b2,2b3 2b4,3\1,3\2,3\3,3\4 3\5