

Mainsail: 8001109 Wiebe-1 Prout 37 fullbattmainV1.des

Design Info
=====

Design File:
\\NAS\Engineering files\Queenie-Customer Order\Fareast Sails\2024 Orders\Need to be Confirmed\8001109 Wiebe P

Initial Design Date: 26/11/2024
Boat:
Prout 37
Client:

Comments:

Design Data
=====

Main

Measurements

Luff geodesic: 11.998m
Leech geodesic: 12.389m
Foot geodesic: 3.306m
Head geodesic: 0.115m
Upper width (MUW): 0.678m
Three-quarter width (MTW): 1.213m
Half width (MHW): 2.095m
Quarter width (MQW): 2.780m
Foot median: 12.179m
ORC Mainsail area: 23.412m?
Surface area: 23.894m?
Clew height: 0.100m
Mast rake: 0.000m

Battens

Position	Length	Roach	Angle	Luff	Leech	Full
83.333%	0.900m	0.190m	76.880?	9.989m	10.298m	Full
66.667%	1.577m	0.289m	76.880?	7.987m	8.239m	Full
50.000%	2.116m	0.276m	76.880?	5.985m	6.179m	Full
33.333%	2.592m	0.228m	76.880?	3.983m	4.119m	Full
16.667%	2.977m	0.123m	76.880?	1.982m	2.060m	Full

Reefing Points

- 1, Luff: 1.379m ; Leech: 1.407m ; Offset: 0.000m ; Number Eyelets: 0
- 2, Luff: 2.859m ; Leech: 2.914m ; Offset: 0.000m ; Number Eyelets: 0
- 3, Luff: 4.608m ; Leech: 4.700m ; Offset: 0.000m ; Number Eyelets: 0

Draft Stripes

- 1, Luff: 3.838m ; Leech: 3.844m ;
- 2, Luff: 7.797m ; Leech: 7.925m ;

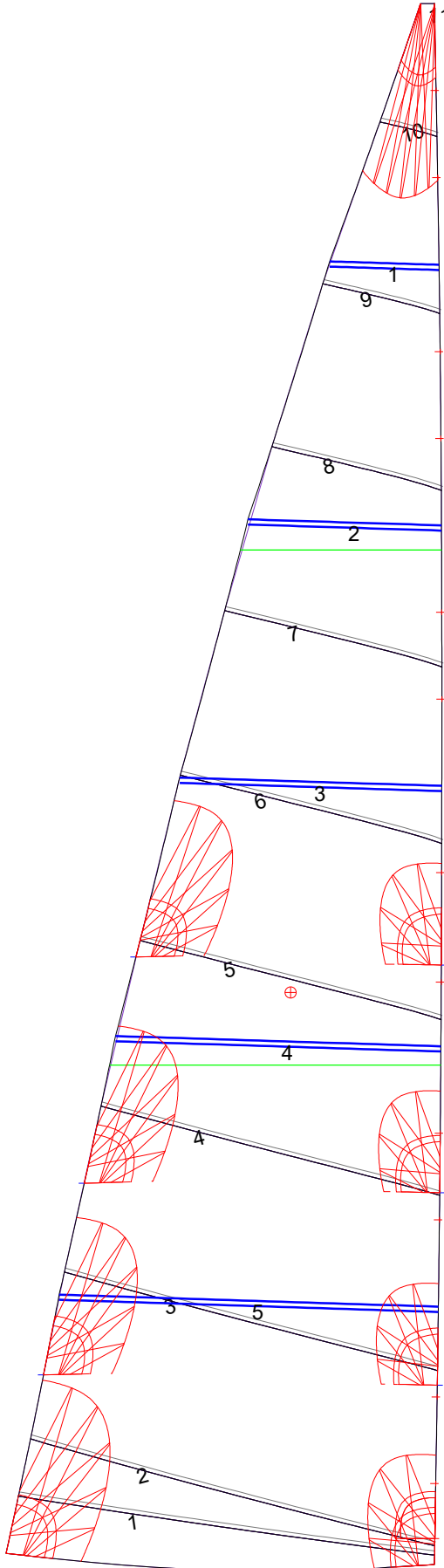
Luff Slides

- 1, Position: 0.623m
- 2, Position: 1.289m
- 3, Position: 2.649m
- 4, Position: 3.316m
- 5, Position: 4.476m
- 6, Position: 5.318m
- 7, Position: 6.652m
- 8, Position: 7.319m
- 9, Position: 8.654m
- 10, Position: 9.322m
- 11, Position: 10.659m
- 12, Position: 11.328m

Luff Curve

		Fanned Luff (@ 5.00% [0.165m])	Before BSeam
11.998m,	0.000m	100% (11.998m) :	0.000m
10.503m,	-0.028m	90% (10.798m) :	0.040m
8.998m,	-0.047m	80% (9.598m) :	0.075m
7.490m,	-0.056m	70% (8.399m) :	0.099m
5.999m,	-0.057m	60% (7.199m) :	0.112m
4.470m,	-0.053m	50% (5.999m) :	0.115m
2.999m,	-0.042m	40% (4.799m) :	0.110m
1.495m,	-0.024m	30% (3.599m) :	0.095m
0.000m,	0.000m	20% (2.399m) :	0.071m
		10% (1.200m) :	0.038m
		0% (0.000m) :	0.000m

Mainsail: 8001109 Wiebe-1 Prout 37 fullbattmainV1.des



Seam Allowances			
Zone:	Split	Radial	Cross
1	0.032m	0.032m	0.032m

Edge Excesses			
Sail:	Luff	Leech	Foot
	0.000m	0.000m	0.000m

Total Seam Lengths (m)

Horizontal	21.64
Radial/Vertical	0.00
Bi-Radial Split	0.00

Materials

Material	Area (m ²)	Panels
Material 1	23.88	1,2,3,4,5 6,7,8,9,10 11