

# Mainsail: 8001109 Wiebe Prout 37 fullbattmain.des

Design Info  
=====

Design File:  
\\NAS\Engineering files\Queenie-Customer Order\Fareast Sails\2024 Orders\Need to be Confirmed\8001109 Wiebe Prout 37

Initial Design Date: 20/11/2024  
Boat:  
Prout 37  
Client:

Comments:

Design Data  
=====

## Main

### Measurements

Luff geodesic: 11.979m  
Leech geodesic: 12.351m  
Foot geodesic: 3.227m  
Head geodesic: 0.115m  
Upper width (MUW): 0.669m  
Three-quarter width (MTW): 1.194m  
Half width (MHW): 2.055m  
Quarter width (MQW): 2.720m  
Foot median: 12.155m  
ORC Mainsail area: 22.897m?  
Surface area: 23.364m?  
Clew height: 0.100m  
Mast rake: 0.000m

### Battens

Position	Length	Roach	Angle	Luff	Leech	Full
83.333%	0.886m	0.190m	76.880?	9.977m	10.268m	Full
66.667%	1.550m	0.289m	76.880?	7.981m	8.214m	Full
50.000%	2.075m	0.276m	76.880?	5.986m	6.161m	Full
33.333%	2.538m	0.228m	76.880?	3.990m	4.107m	Full
16.667%	2.910m	0.123m	76.880?	1.995m	2.054m	Full

### Reefing Points

1, Luff: 1.377m ; Leech: 1.403m ; Offset: 0.000m ; Number Eyelets: 0  
2, Luff: 2.754m ; Leech: 2.805m ; Offset: 0.000m ; Number Eyelets: 0  
3, Luff: 4.251m ; Leech: 4.329m ; Offset: 0.000m ; Number Eyelets: 0

### Draft Stripes

1, Luff: 3.832m ; Leech: 3.835m ;  
2, Luff: 7.785m ; Leech: 7.904m ;

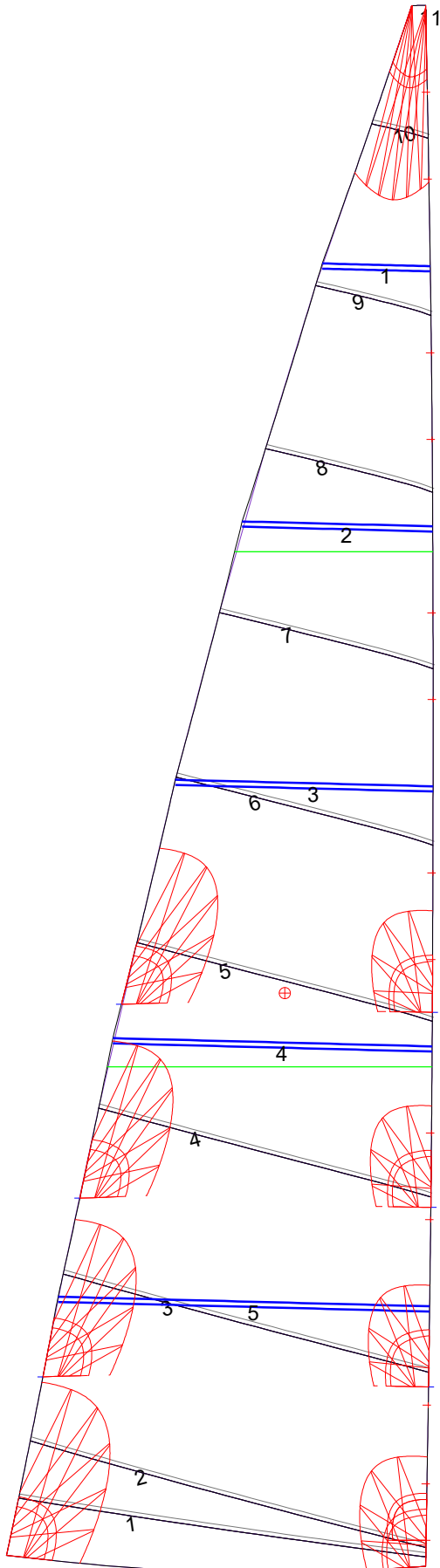
### Luff Slides

1, Position: 0.632m  
2, Position: 1.237m  
3, Position: 2.660m  
4, Position: 3.325m  
5, Position: 4.655m  
6, Position: 5.320m  
7, Position: 6.651m  
8, Position: 7.316m  
9, Position: 8.647m  
10, Position: 9.312m  
11, Position: 10.645m  
12, Position: 11.312m

### Luff Curve

		Fanned Luff (@ 5.00% [0.161m])	Before BSeam
11.979m,	0.000m	100% (11.979m) :	0.000m
10.486m,	-0.028m	90% (10.781m) :	0.040m
8.984m,	-0.047m	80% (9.583m) :	0.074m
7.478m,	-0.056m	70% (8.385m) :	0.098m
5.989m,	-0.057m	60% (7.187m) :	0.111m
4.463m,	-0.053m	50% (5.990m) :	0.114m
2.995m,	-0.042m	40% (4.792m) :	0.108m
1.493m,	-0.024m	30% (3.594m) :	0.094m
0.000m,	0.000m	20% (2.396m) :	0.070m
		10% (1.198m) :	0.038m
		0% (0.000m) :	0.000m

# Mainsail: 8001109 Wiebe Prout 37 fullbattmain.des



Seam Allowances			
Zone: 1	Split	Radial	Cross
	0.032m	0.032m	0.032m

Edge Excesses			
Sail:	Luff	Leech	Foot
	0.000m	0.000m	0.000m

## Total Seam Lengths (m)

Horizontal	21.21
Radial/Vertical	0.00
Bi-Radial Split	0.00

## Materials

Material	Area (m <sup>2</sup> )	Panels
Material 1	23.35	1,2,3,4,5 6,7,8,9,10 11