

Genoa: 8000919 Richard-1 Staysail.des

Design Info
=====

Design File:
\\NAS\Engineering files\Queenie-Customer Order\Fareast Sails\2024 Orders\Need to be Confirmed\8000919 Richard E

Initial Design Date: 20/9/2024
Boat:

Comments:

Client:

Design Data
=====

Genoa

Measurements

Luff geodesic:	10.395m
Leech geodesic:	9.950m
Foot geodesic:	2.841m
Headboard width:	0.045m
Luff perpendicular (HLP):	2.719m
Upper width (HUW):	0.278m
Three-quarter width (HTW):	0.539m
Half width (HHW):	1.177m
Quarter width (HQW):	1.907m
Foot median:	10.133m
ORC Headsail area:	13.107m?
IRC Headsail area:	13.067m?
Surface area:	13.026m?
Forestay height:	11.330m
J:	3.450m

Draft Stripes

1, Luff: 3.446m ; Leech: 3.269m ;
2, Luff: 6.885m ; Leech: 6.546m ;

Luff Curve

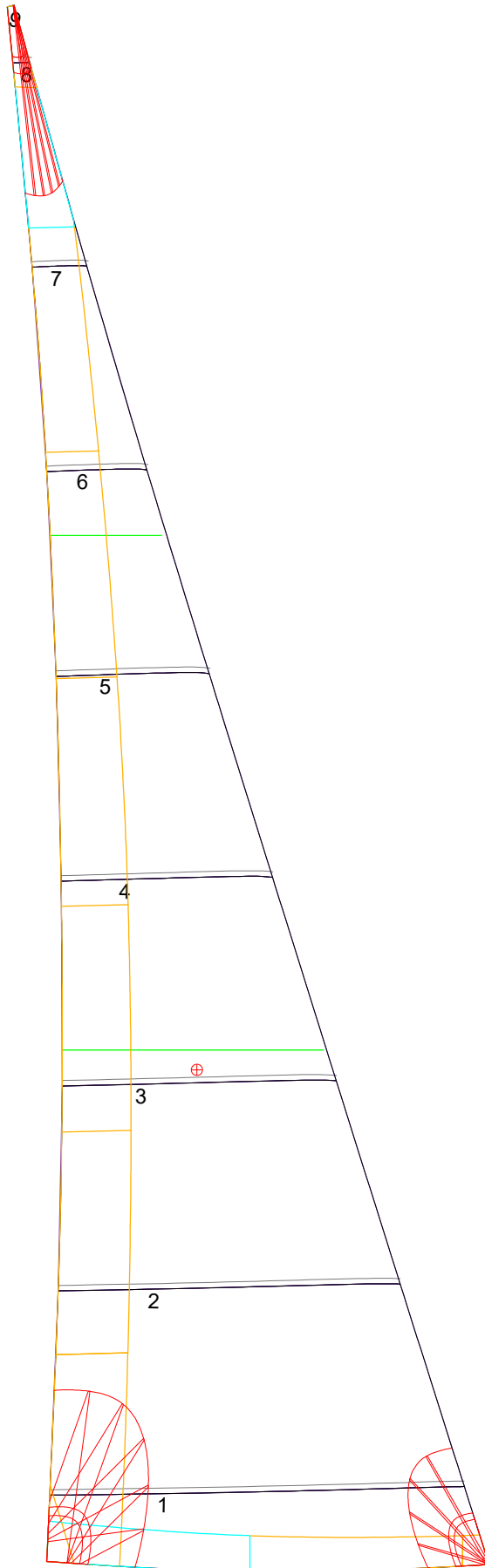
10.393m,	0.000m
9.529m,	0.035m
8.574m,	0.064m
7.733m,	0.078m
6.756m,	0.084m
5.172m,	0.074m
3.378m,	0.050m
1.757m,	0.025m
0.000m,	0.000m

Fanned Luff (@ 5.00% [0.141m])

100% (10.393m) :	-0.000m	0.000m
90% (9.353m) :	-0.038m	-0.021m
80% (8.316m) :	-0.064m	-0.033m
70% (7.276m) :	-0.077m	-0.034m
60% (6.237m) :	-0.079m	-0.028m
50% (5.197m) :	-0.072m	-0.018m
40% (4.158m) :	-0.061m	-0.009m
30% (3.118m) :	-0.046m	-0.002m
20% (2.079m) :	-0.031m	0.002m
10% (1.038m) :	-0.016m	0.003m
0% (0.000m) :	0.000m	0.000m

Before BSeam

Genoa: 8000919 Richard-1 Staysail.des



Seam Allowances

	Split	Radial	Cross
Zone: 1	0.035m	0.035m	0.035m
Cover 1	0.025m	0.025m	0.025m
Cover 2	0.025m	0.025m	0.025m
Cover 3	0.000m	0.000m	0.000m
Cover 4	0.000m	0.000m	0.000m

Edge Excesses

	Luff	Leech	Foot
Sail:	0.000m	0.000m	0.000m
Cover 0	0.070m	0.100m	0.070m
Cover 1	0.070m	0.070m	0.100m
Cover 2	0.000m	0.070m	0.070m
Cover 3	0.000m	0.070m	0.070m

Total Seam Lengths (m)

Horizontal	10.32
Radial/Vertical	0.00
Bi-Radial Split	0.00

Materials

Material	Area (m ²)	Panels
Material 1	13.08	1,2,3,4,5 6,7,8,9