

Mainsail: 8000810 Henrik Bavaria42 Radial vertbattfurlmainV1.des

Design Info
=====

Design File:
\\NAS\Engineering files\Queenie-Customer Order\Fareast Sails\2024 Orders\Need to be Confirmed\8000810 Henrik m

Initial Design Date: 22/8/2024
Boat:
Bavaria 42 verbatt
Client:

Comments:

Design Data
=====

Main

Measurements

Luff geodesic:	14.500m
Leech geodesic:	15.147m
Foot geodesic:	5.050m
Head geodesic:	0.040m
Upper width (MUW):	0.869m
Three-quarter width (MTW):	1.544m
Half width (MHW):	2.791m
Quarter width (MQW):	3.944m
Foot median:	14.630m
ORC Mainsail area:	39.377m?
Surface area:	39.649m?
Clew height:	0.197m
Mast rake:	0.150m

Battens

Position	Length	Roach	Angle	Luff	Leech	Full
83.000%	12.255m	0.207m	160.683?	298.784m	12.550m	
62.500%	9.400m	0.210m	160.683?	626.292m	9.450m	
42.500%	6.398m	0.133m	160.683?	945.812m	6.426m	
22.000%	3.340m	0.061m	160.683?	1273.324m	3.326m	

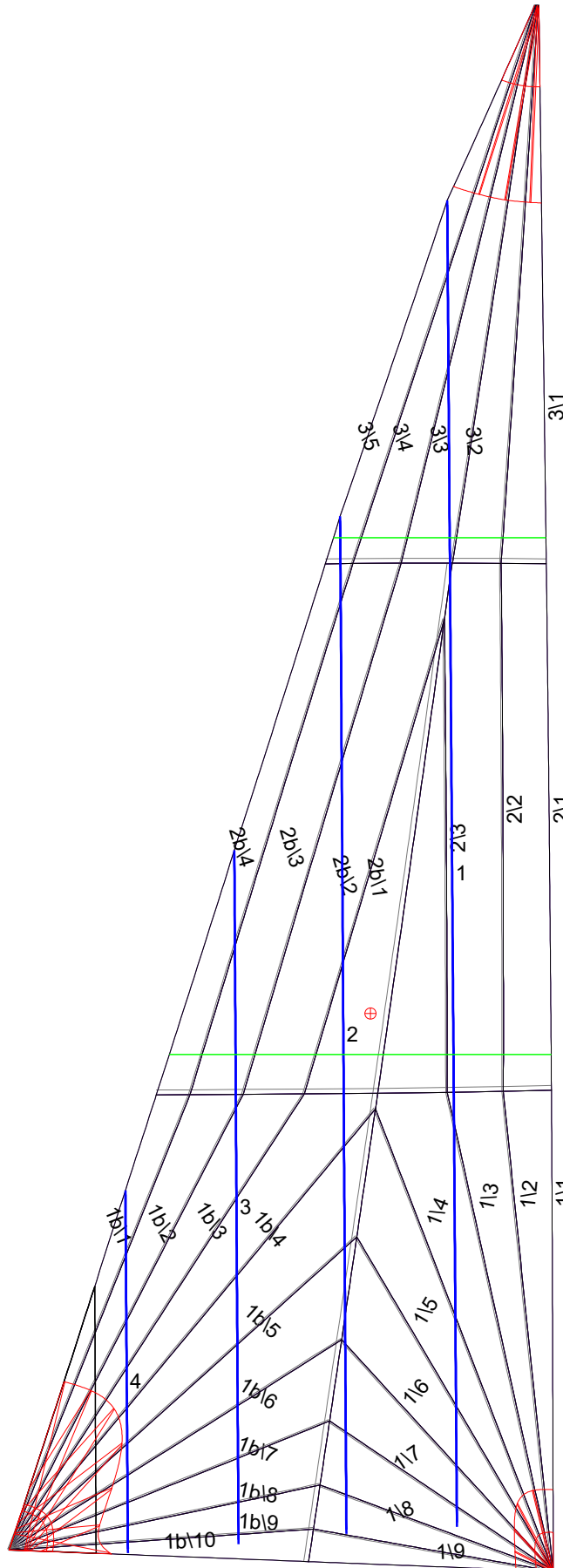
Draft Stripes

1, Luff: 4.784m ; Leech: 4.830m ;
2, Luff: 9.569m ; Leech: 9.847m ;

Luff Curve

		Fanned Luff (@ 5.00% [0.252m])	Before BSeam	
14.500m,	0.000m	100% (14.500m) :	-0.000m	0.000m
12.641m,	-0.006m	90% (13.050m) :	0.003m	0.027m
10.875m,	-0.014m	80% (11.600m) :	0.009m	0.053m
7.250m,	-0.025m	70% (10.150m) :	0.013m	0.076m
3.625m,	-0.020m	60% (8.700m) :	0.016m	0.090m
0.000m,	0.000m	50% (7.250m) :	0.017m	0.096m
		40% (5.800m) :	0.017m	0.092m
		30% (4.350m) :	0.014m	0.077m
		20% (2.900m) :	0.009m	0.054m
		10% (1.450m) :	0.003m	0.026m
		0% (0.000m) :	0.000m	0.000m

Mainsail: 8000810 Henrik Bavaria42 Radial vert battfurlmainV1.des



Seam Allowances

Zone:	Split	Radial	Cross
Zone: 1/a	0.045m	0.015m	0.045m
Zone: 1/b	0.045m	0.015m	0.045m
Zone: 2/a	0.045m	0.015m	0.045m
Zone: 2/b	0.045m	0.015m	0.045m
Zone: 3	0.045m	0.015m	0.045m
Cover 1	0.000m	0.000m	0.000m
Cover 2	0.000m	0.000m	0.000m

Edge Excesses

Sail:	Luff	Leech	Foot
Sail:	0.000m	0.000m	0.000m
Cover 0	0.000m	0.070m	0.070m
Cover 1	0.000m	0.070m	0.070m

Total Seam Lengths (m)

Horizontal	5.89
Radial/Vertical	109.67
Bi-Radial Split	9.67

Materials

Material	Area (m ²)	Panels
Material 1	28.31	1i3, 1i4, 1i6, 1i8, 1i9 1b1, 1b2, 1b3, 1b4, 1b5 1b7, 1b9, 1b10, 2i3, 2b1 2b2, 2b3, 2b4, 3i1, 3i2 3i3, 3i4, 3i5
Material 2	11.34	1i1, 1i2, 1i5, 1i7, 1b6 1b8, 2i1, 2i2