

Mainsail: 8000424 Bob battless Mainsail.des

Design Info
=====

Design File:
\\NAS\Engineering files\Queenie-Customer Order\Fareast Sails\2024 Orders\Need to be Confirmed\8000424 Bob Islan

Initial Design Date: 26/4/2024
Boat:

Comments:

Client:

Design Data
=====

Main

Measurements

Luff geodesic:	38.156Ft
Leech geodesic:	39.535Ft
Foot geodesic:	11.632Ft
Head geodesic:	0.377Ft
Upper width (MUW):	1.629Ft
Three-quarter width (MTW):	2.932Ft
Half width (MHW):	5.756Ft
Quarter width (MQW):	8.656Ft
Foot median:	38.806Ft
ORC Mainsail area:	222.589Ft?
Surface area:	224.386Ft?
Clew height:	0.328Ft
Mast rake:	0.000Ft

Reefing Points

- 1, Luff: 5.035Ft ; Leech: 5.303Ft ; Offset: 0.000Ft ; Number Eyelets: 3
- 2, Luff: 10.490Ft ; Leech: 11.028Ft ; Offset: 0.000Ft ; Number Eyelets: 2
- 3, Luff: 16.212Ft ; Leech: 16.979Ft ; Offset: 0.000Ft ; Number Eyelets: 2

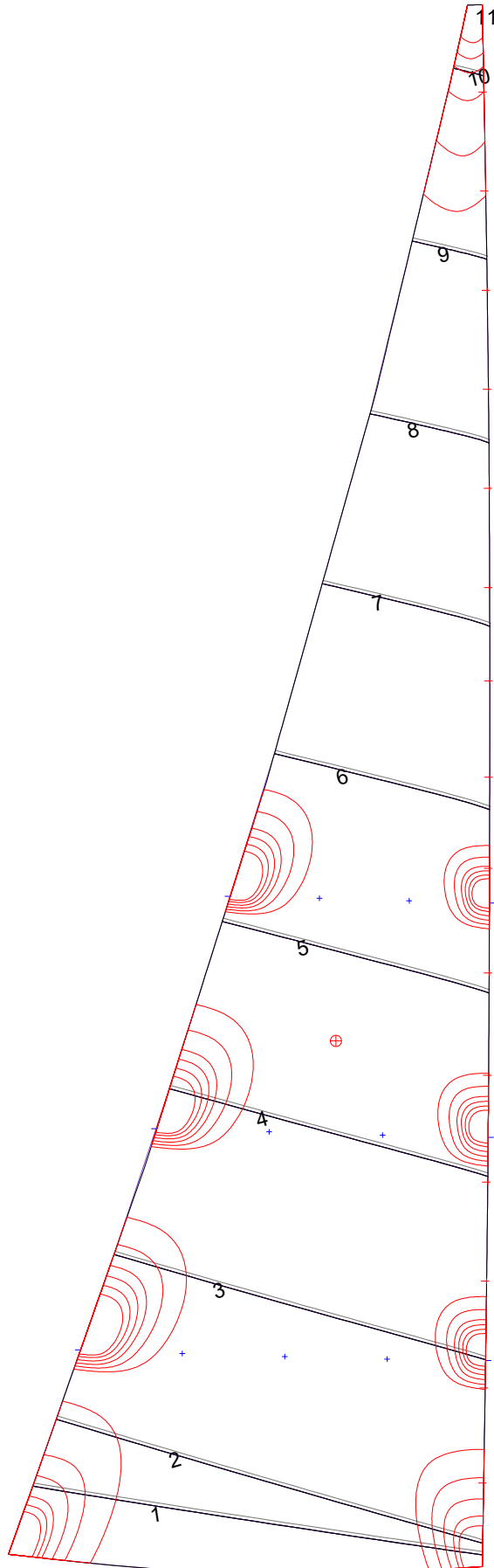
Luff Slides

- 1, Position: 2.046Ft
- 2, Position: 4.363Ft
- 3, Position: 6.974Ft
- 4, Position: 9.395Ft
- 5, Position: 12.007Ft
- 6, Position: 14.504Ft
- 7, Position: 17.062Ft
- 8, Position: 19.289Ft
- 9, Position: 21.636Ft
- 10, Position: 23.920Ft
- 11, Position: 26.340Ft
- 12, Position: 28.761Ft
- 13, Position: 31.182Ft
- 14, Position: 33.603Ft
- 15, Position: 36.024Ft

Luff Curve

		Fanned Luff (@ 5.00% [0.579Ft])	Before BSeam
38.155Ft,	0.000Ft	100% (38.156Ft) :	0.000Ft
33.400Ft,	-0.088Ft	90% (34.341Ft) :	0.107Ft
28.616Ft,	-0.151Ft	80% (30.525Ft) :	0.211Ft
23.820Ft,	-0.178Ft	70% (26.709Ft) :	0.292Ft
19.077Ft,	-0.181Ft	60% (22.894Ft) :	0.340Ft
14.217Ft,	-0.168Ft	50% (19.078Ft) :	0.356Ft
9.539Ft,	-0.134Ft	40% (15.262Ft) :	0.345Ft
4.755Ft,	-0.076Ft	30% (11.447Ft) :	0.300Ft
0.000Ft,	0.000Ft	20% (7.631Ft) :	0.217Ft
		10% (3.816Ft) :	0.110Ft
		0% (0.000Ft) :	0.000Ft

Mainsail: 8000424 Bob battless Mainsail.des



Seam Allowances			
Zone: 1	Split	Radial	Cross
	0.082Ft	0.082Ft	0.082Ft

Edge Excesses			
Sail:	Luff	Leech	Foot
	0.000Ft	0.000Ft	0.000Ft

Total Seam Lengths (Ft)

Horizontal	63.08
Radial/Vertical	0.00
Bi-Radial Split	0.00

Materials

Material	Area (Ft ²)	Panels
Material 1	224.68	1,2,3,4,5 6,7,8,9,10 11