

tack pin

57.15mm

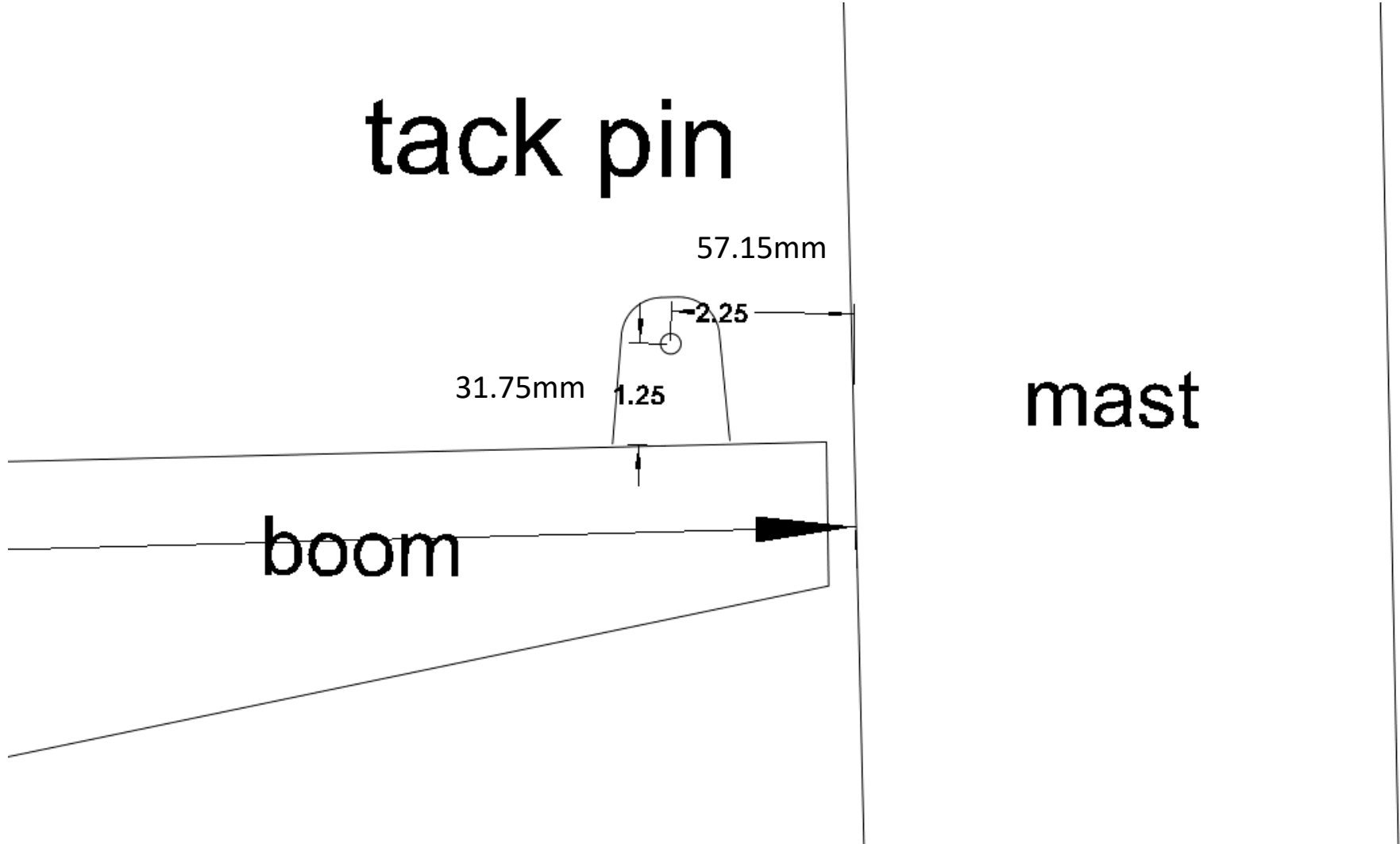
2.25

31.75mm

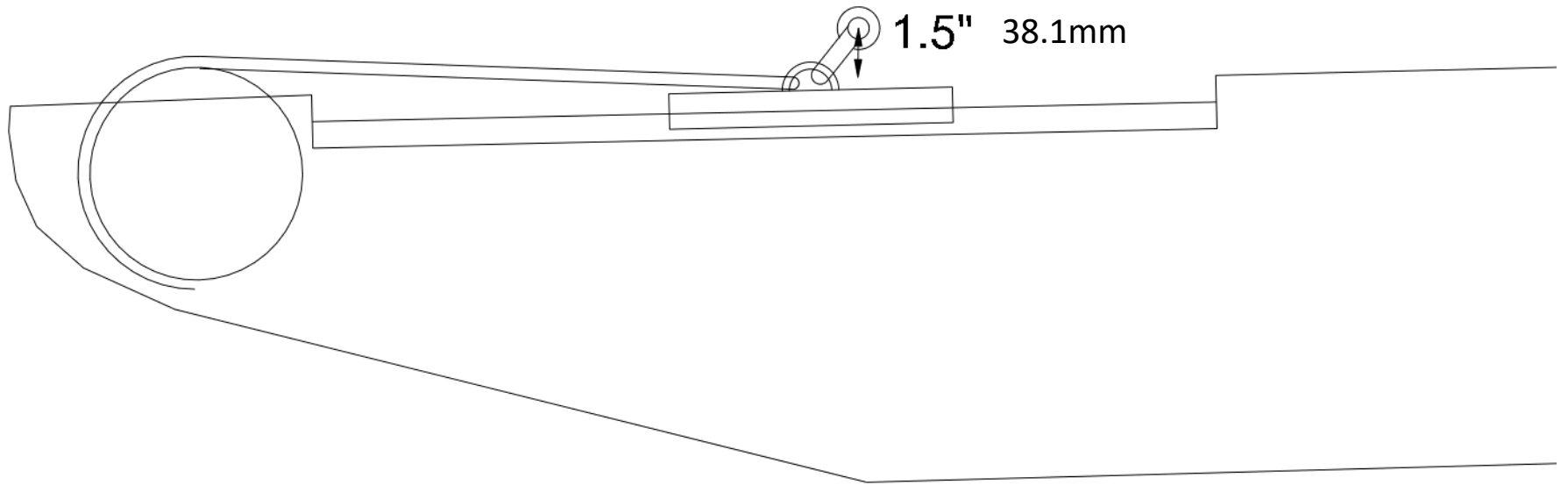
1.25

mast

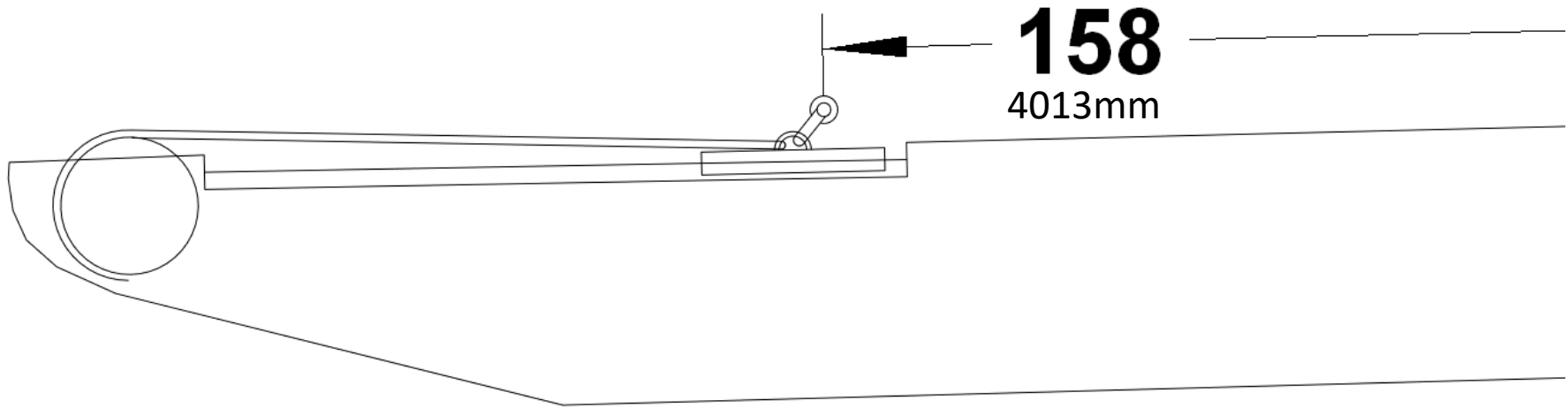
boom



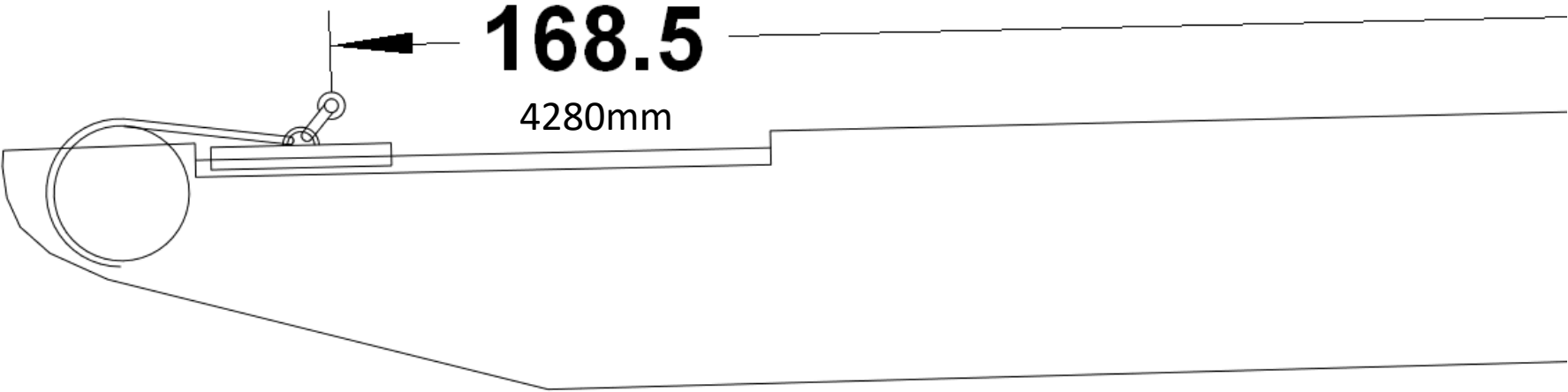
top of boom to clew shackle pin

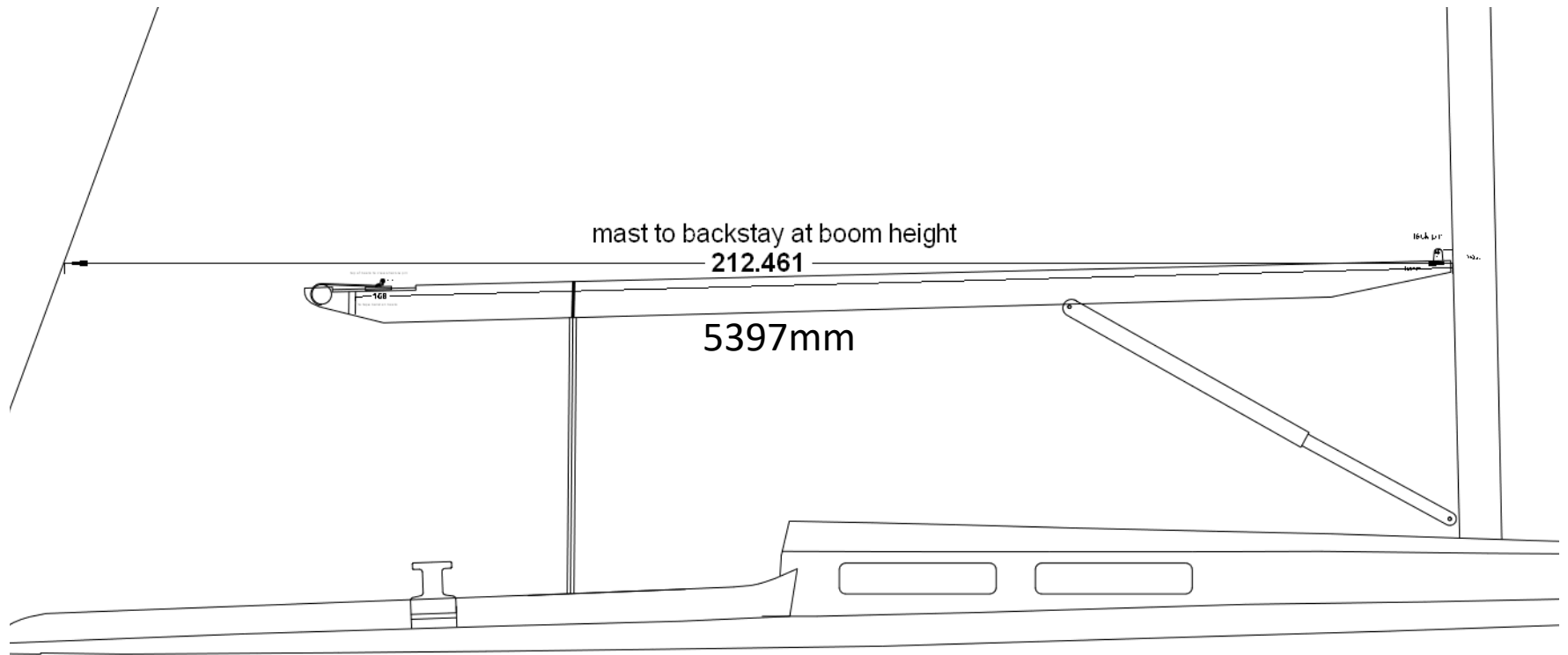


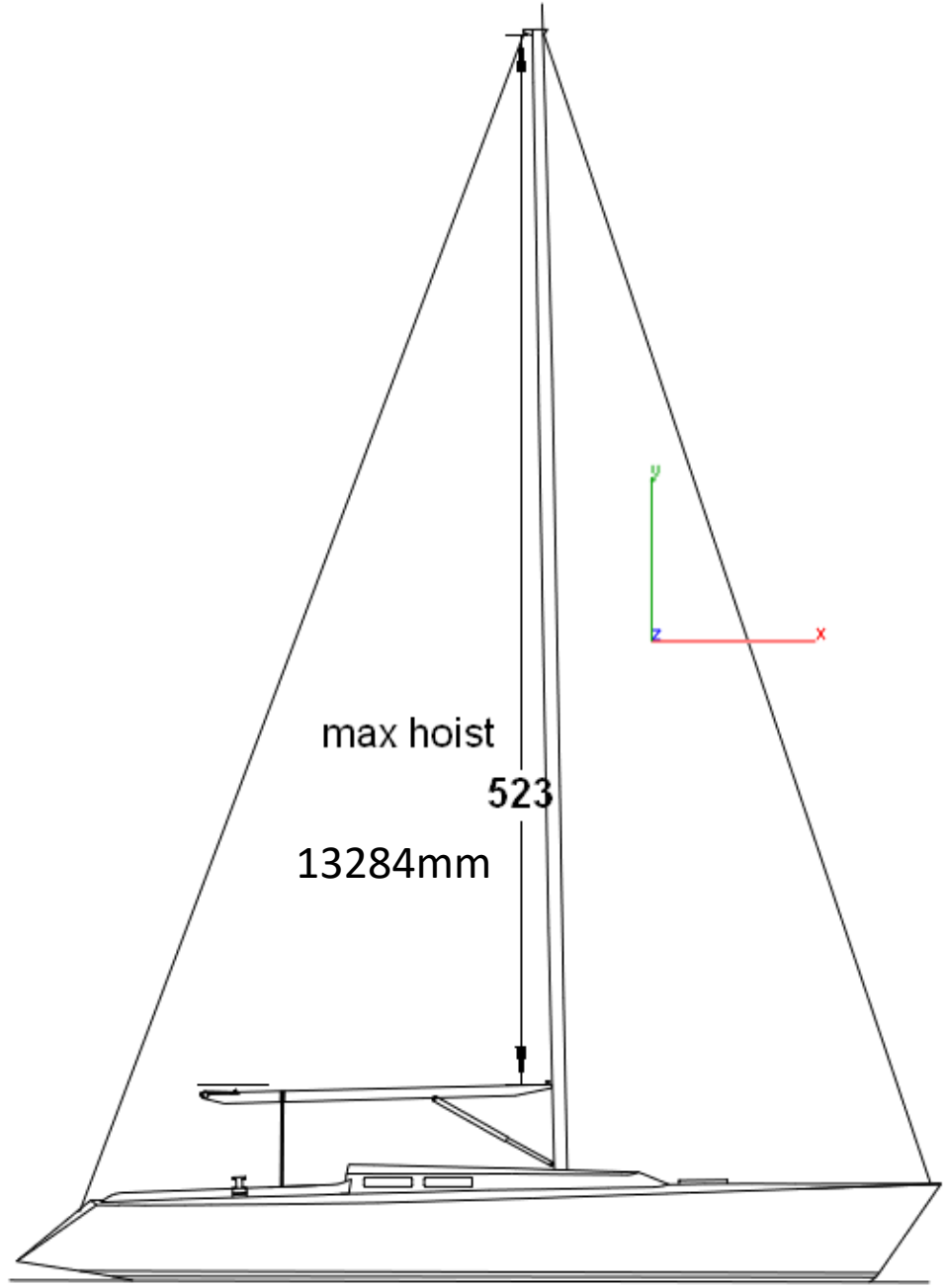
back face of mast to clew pin with car at minimum distance.



back face of mast to clew pin with car at maximum distance.



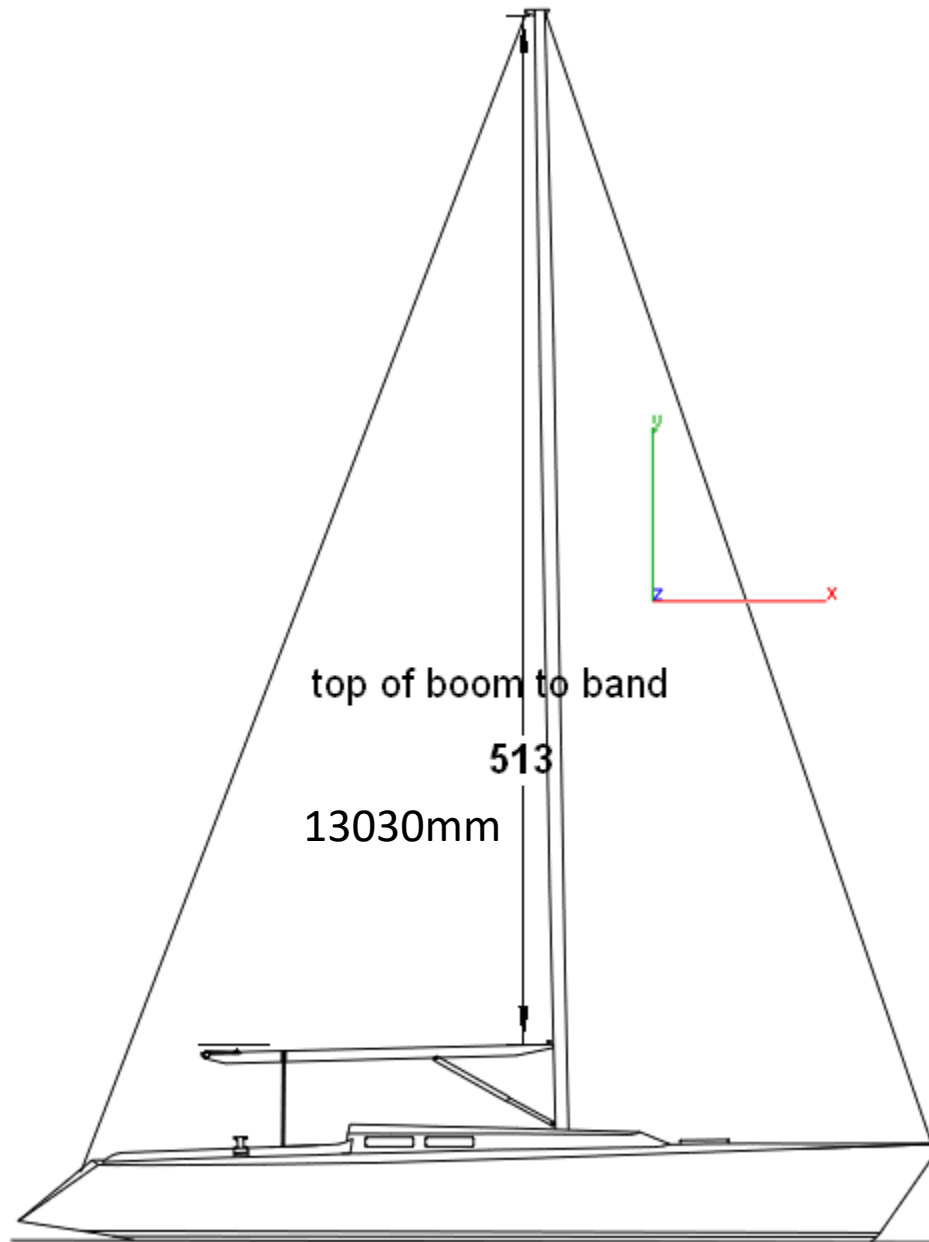


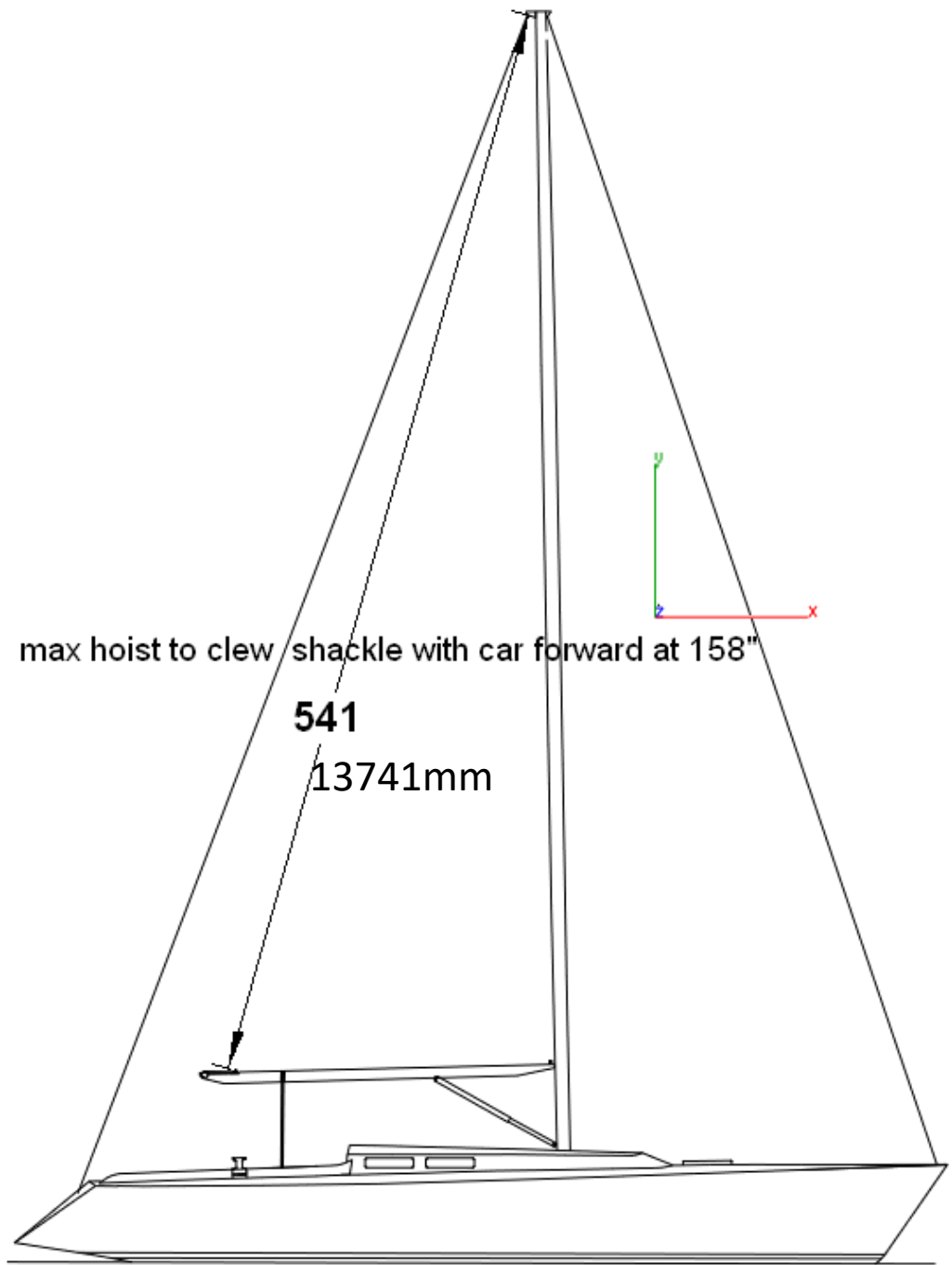


max hoist

523

13284mm



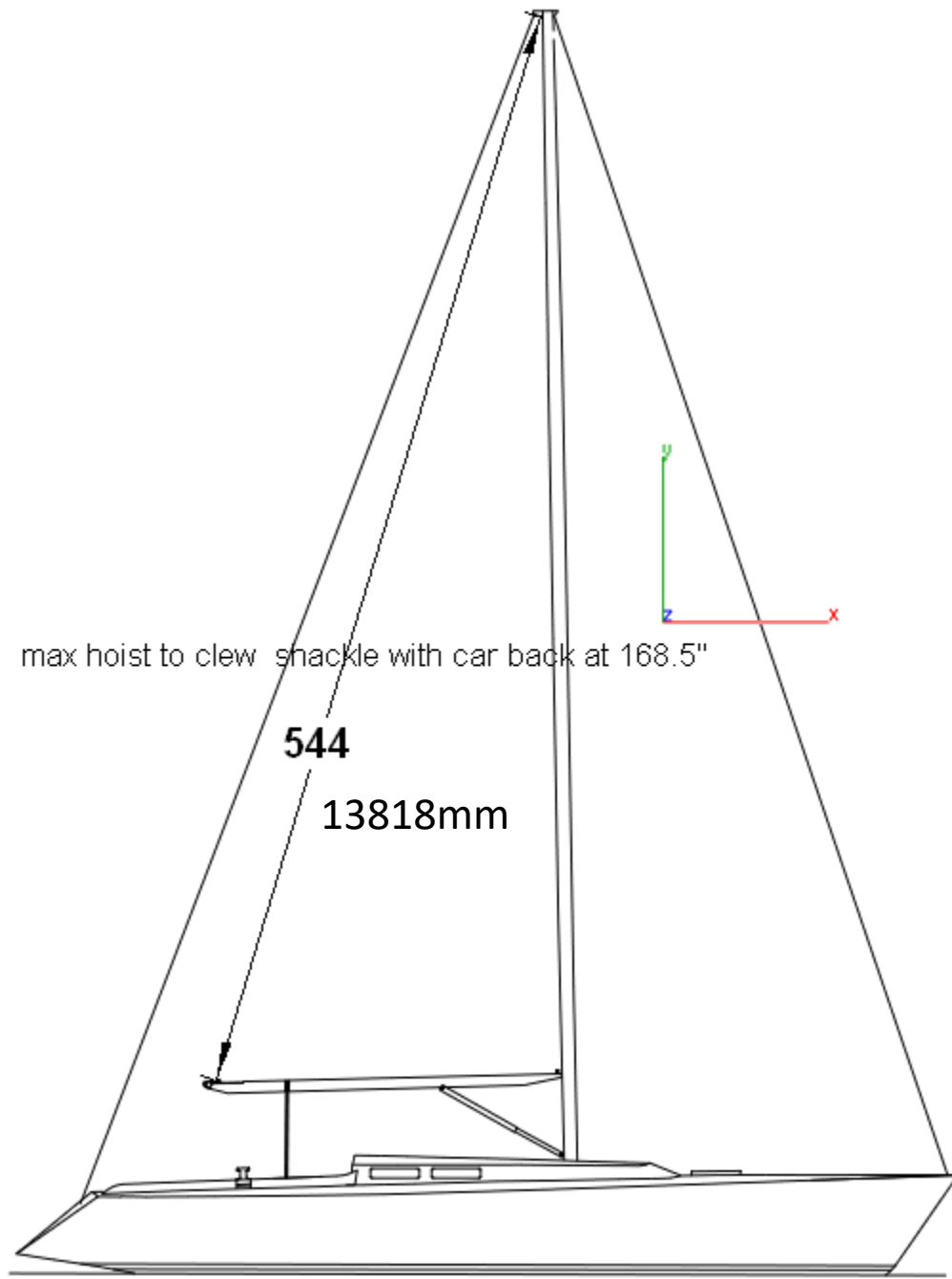


max hoist to clew shackle with car forward at 158"

**541**

13741mm

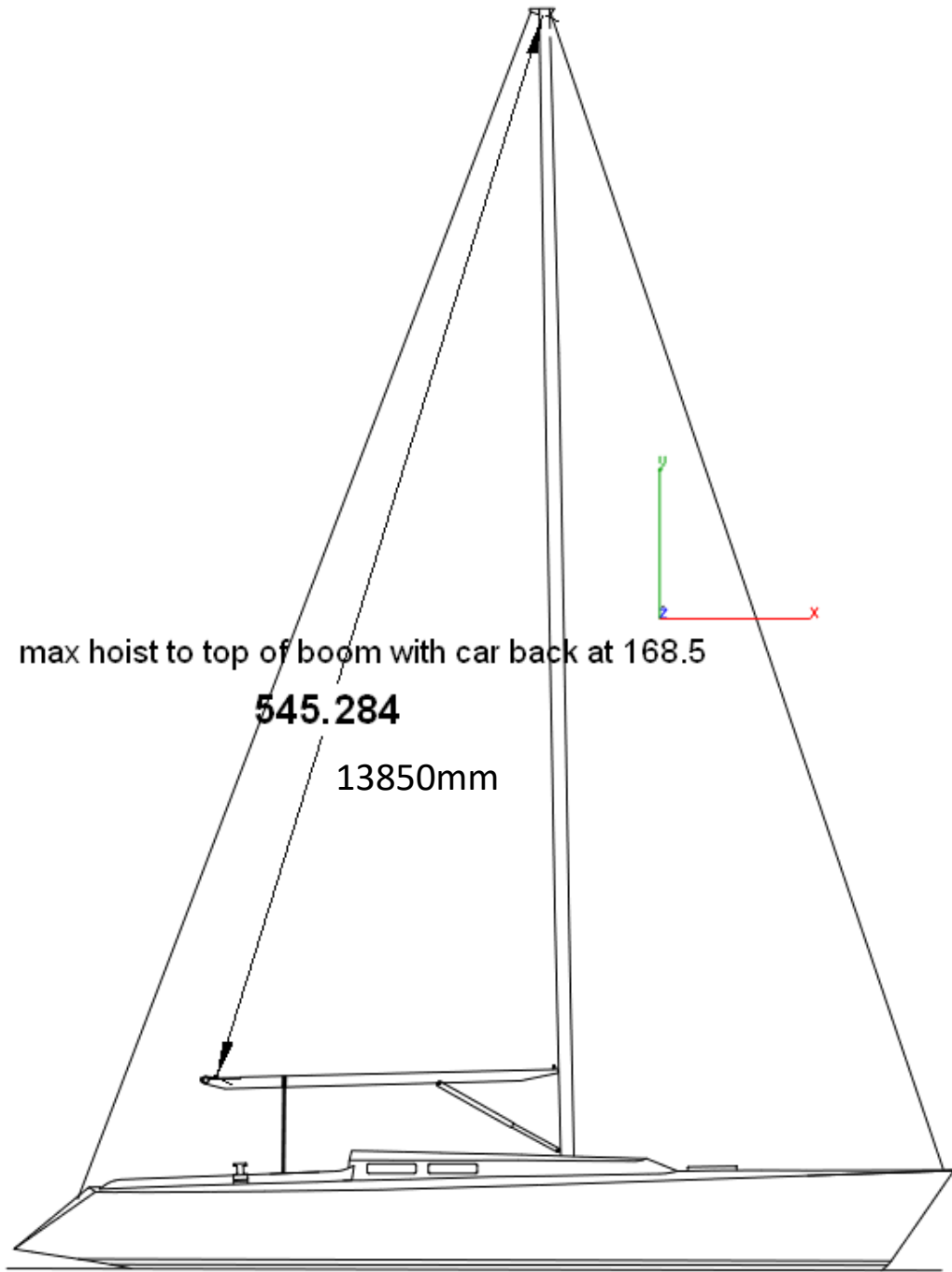




max hoist to clew snackle with car back at 168.5"

**544**

13818mm



max hoist to top of boom with car back at 168.5

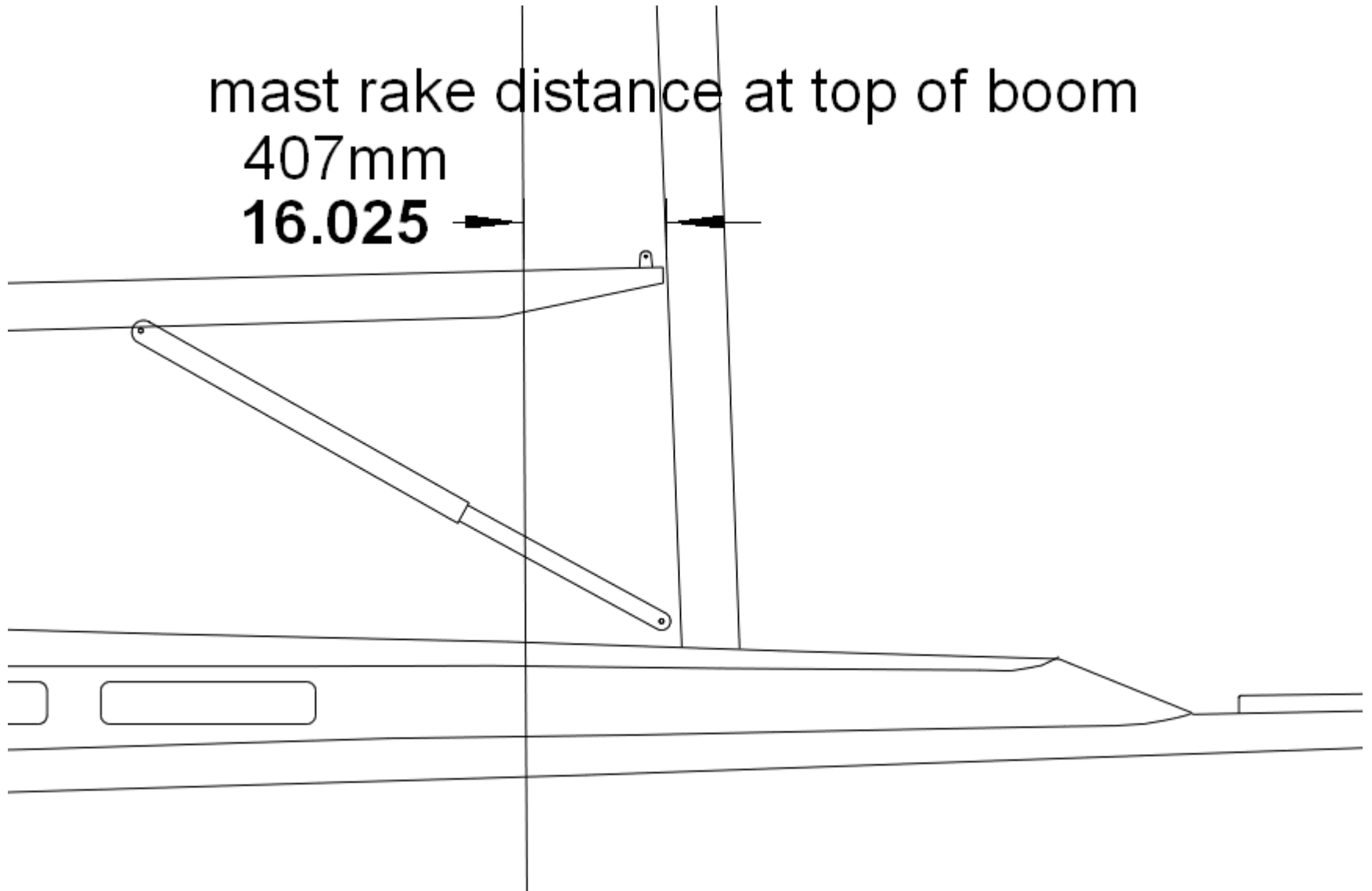
**545.284**

13850mm

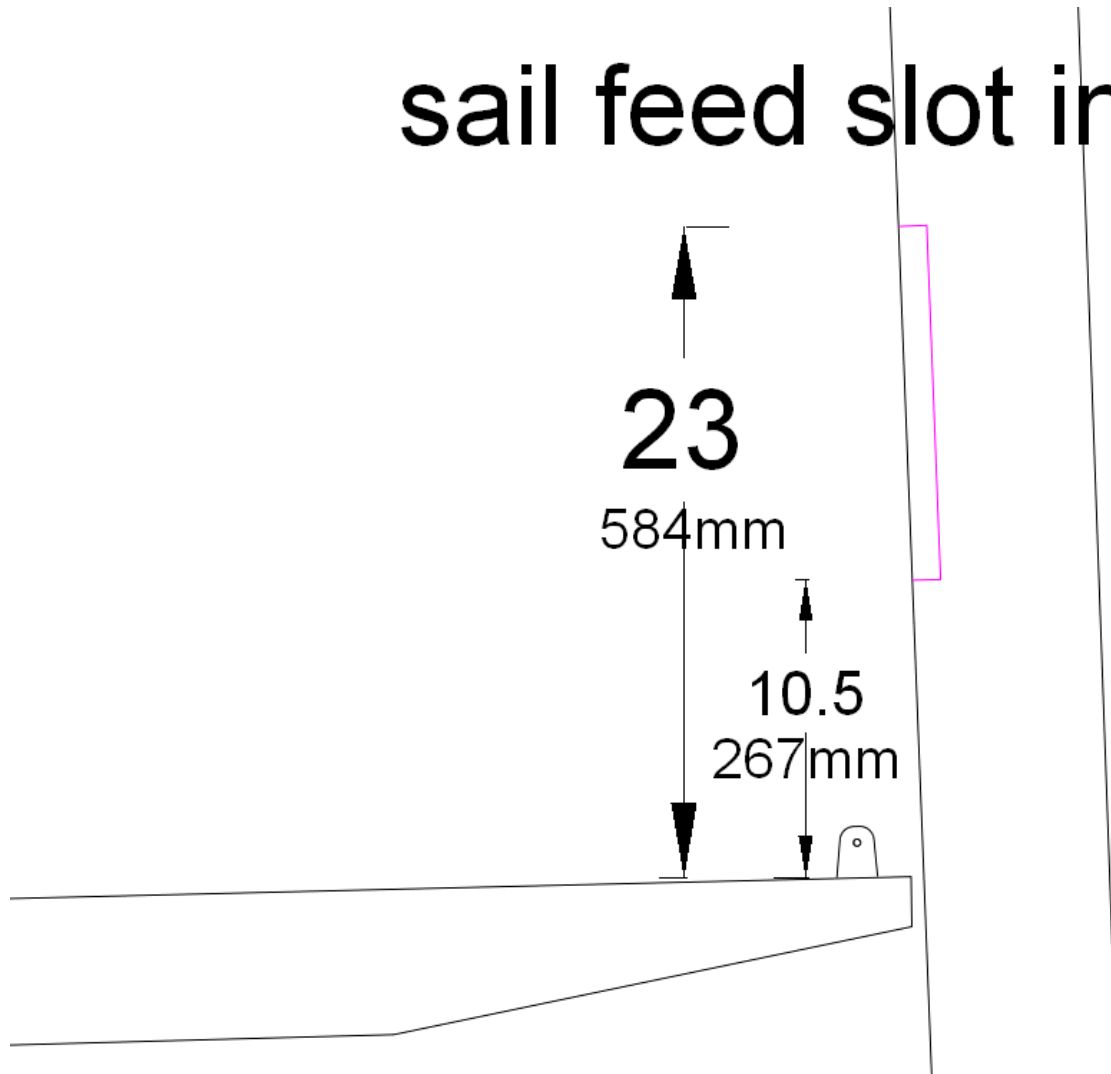
mast rake distance at top of boom

407mm

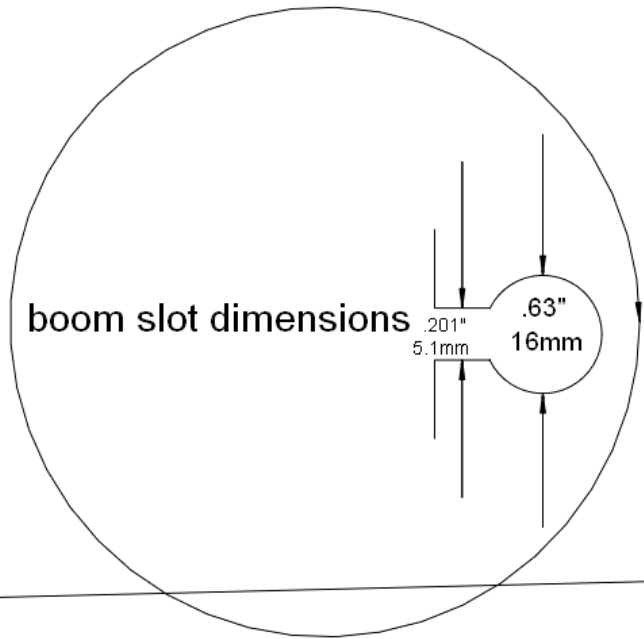
**16.025**



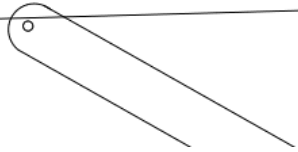
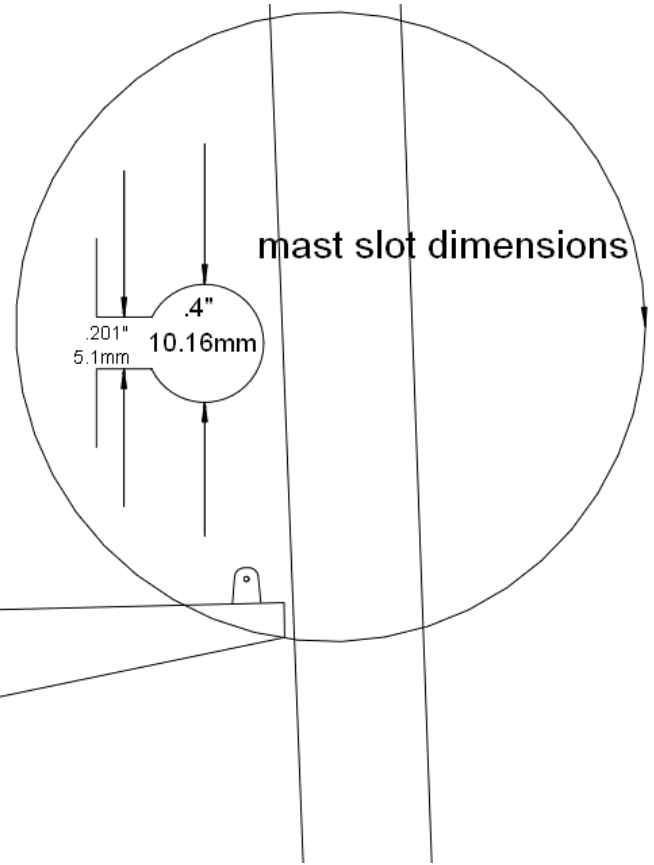
# sail feed slot in mast

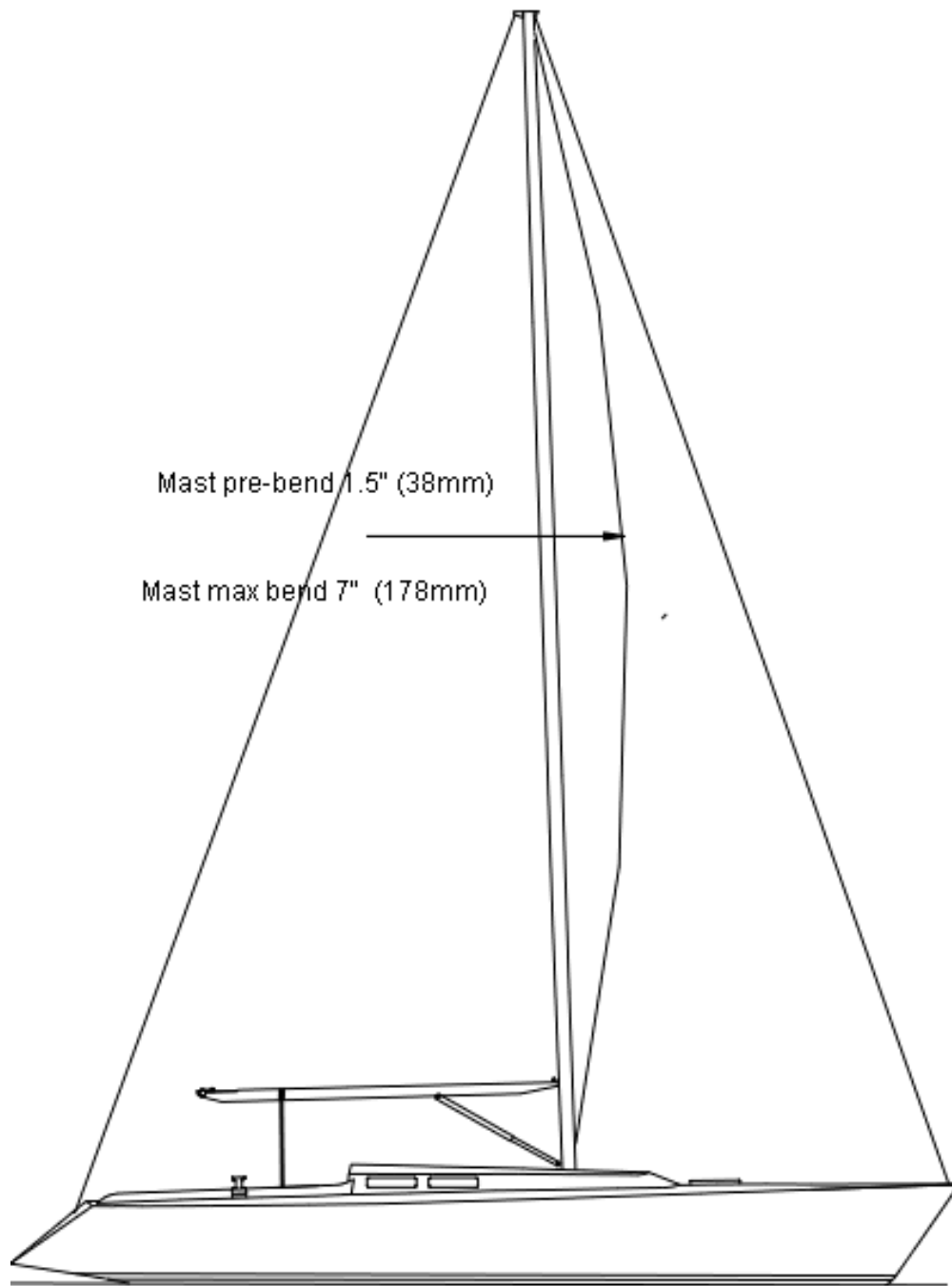


boom slot dimensions



mast slot dimensions





Mast pre-bend 1.5" (38mm)



Mast max bend 7" (178mm)

