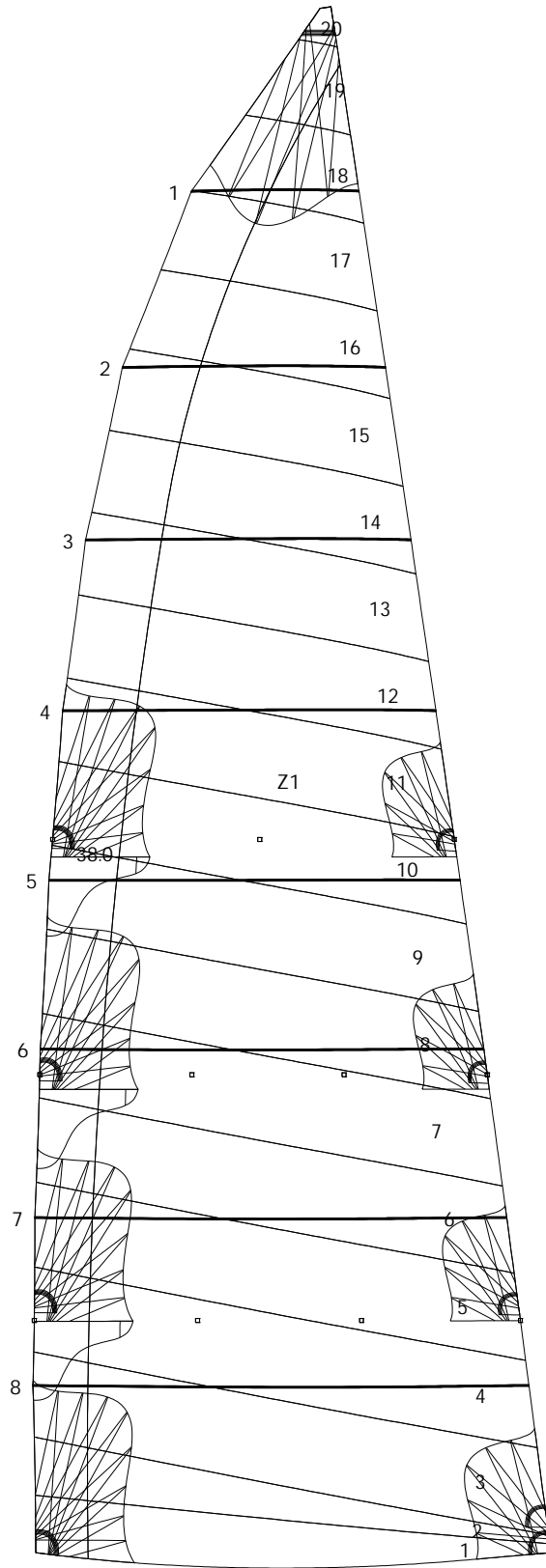




Date: 24/10/2011
Designer: BIFA
Company: Far east
Filename: 8000303-1 Bart Lagoon 620 main.pak
Sail:
Boat:
Customer:
Order Ref.:

Panel layout

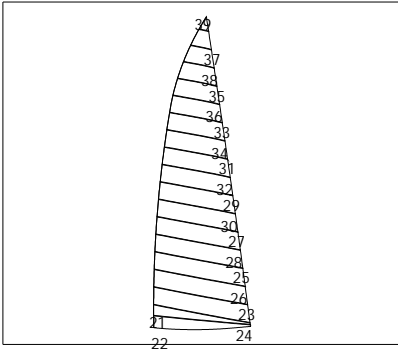


0 5m

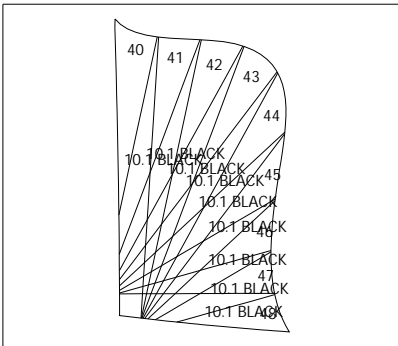




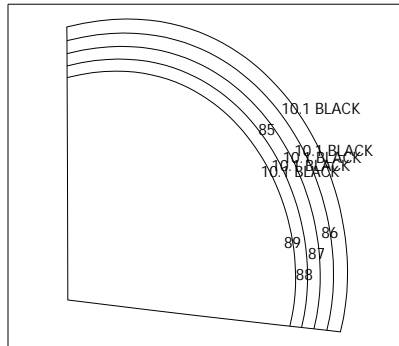
Patch layout



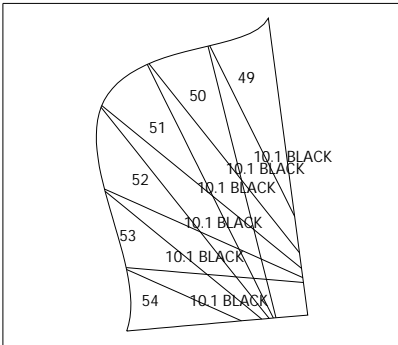
PZ1_0



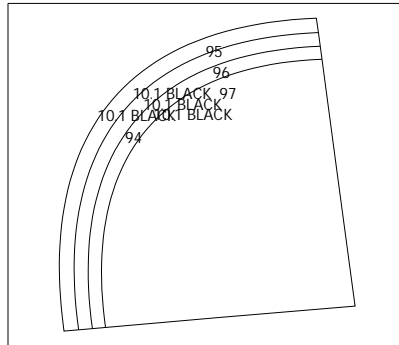
P2



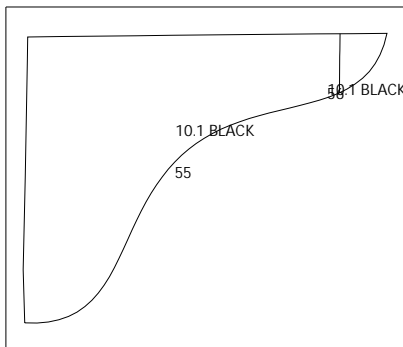
P10



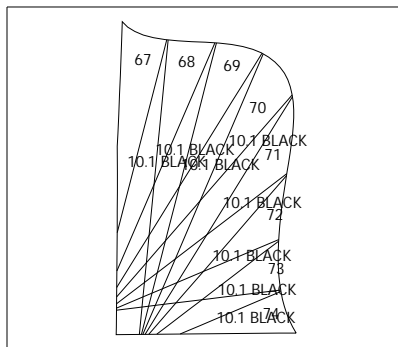
P3



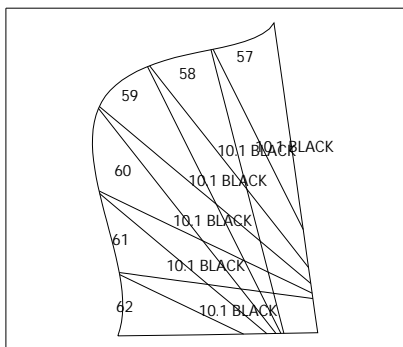
P12



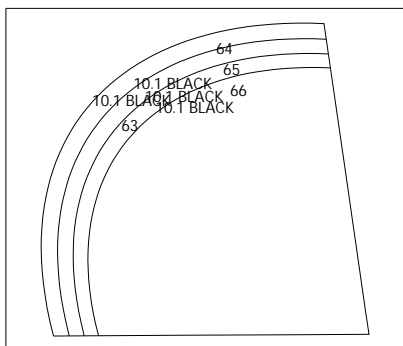
P4



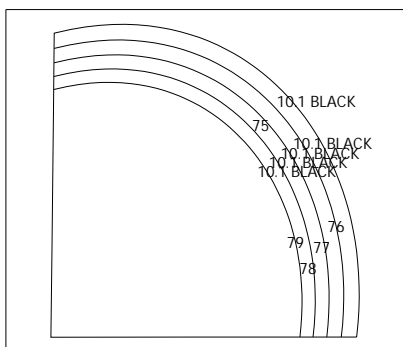
P7



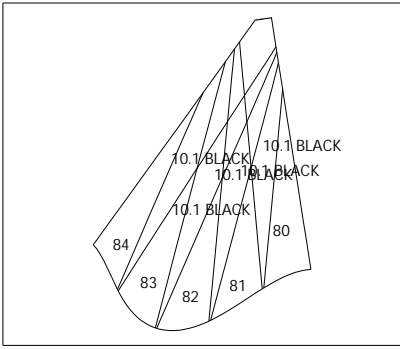
P5



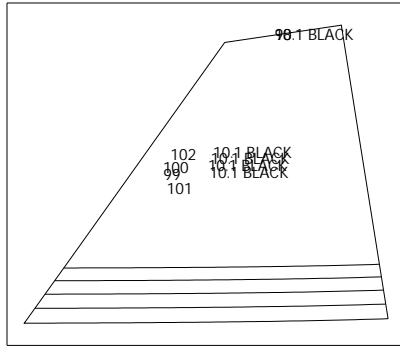
P6



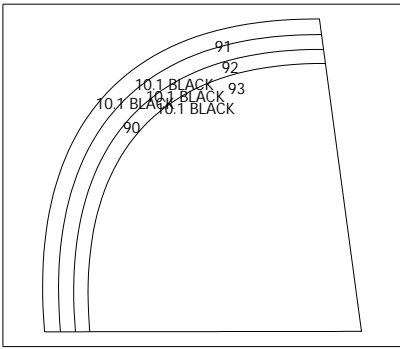
P8



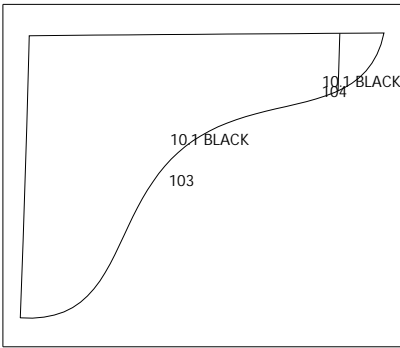
P9



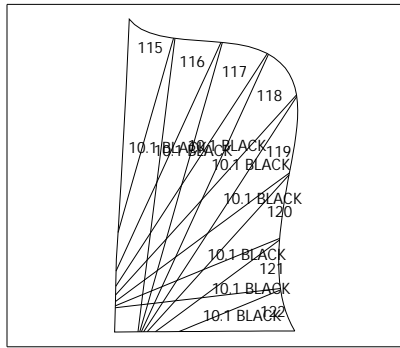
P13



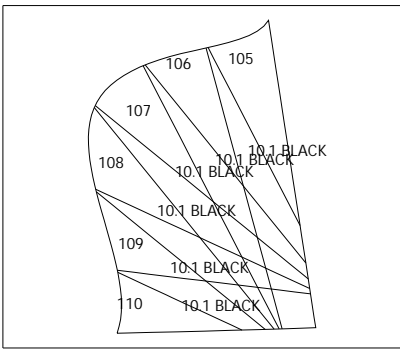
P11



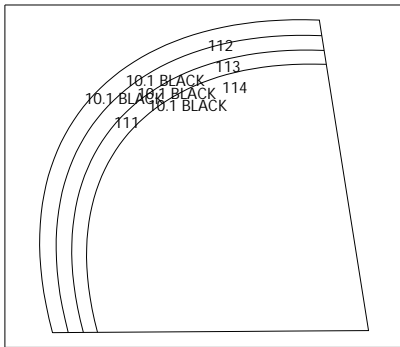
P14



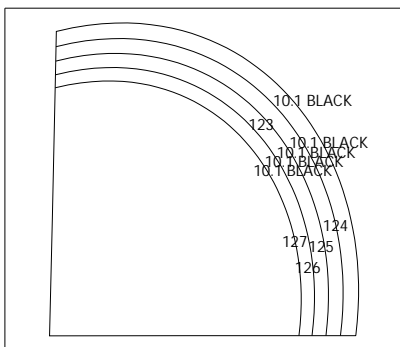
P17



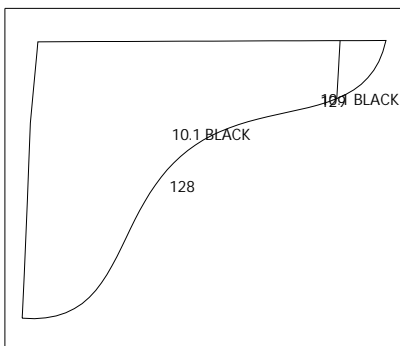
P15



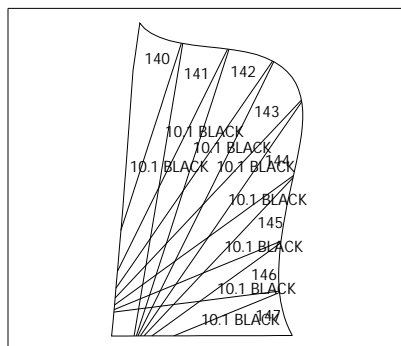
P16



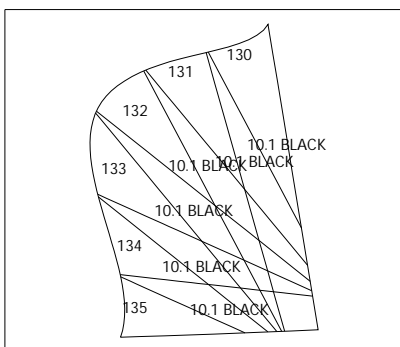
P18



P19



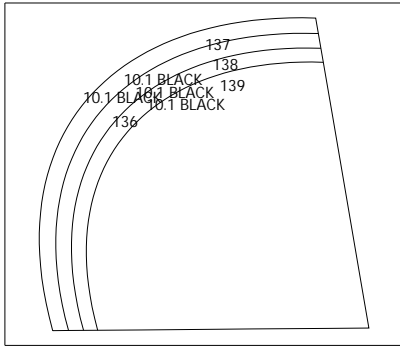
P22



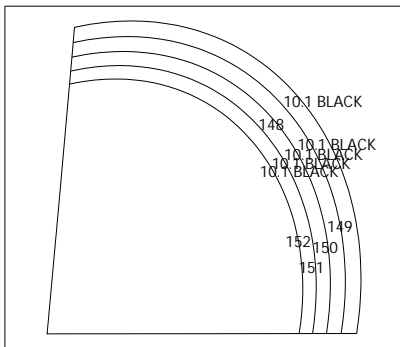
P20



Date: 24/10/2011
 Designer: BIFA
 Company: Far east
 Filename: 8000303-1 Bart Lagoon 620 main.pak
Sail:
Boat:
Customer:
 Order Ref.:



P21



P23



Date: 24/10/2011
 Designer: BIFA
 Company: Far east
 Filename: 8000303-1 Bart Lagoon 620 main.pak

Sail:
 Boat:
 Customer:
 Order Ref.:

Measurement Check List

Measurement rules Ref.: Mainsail IRC

[Luff] = 24.419 m [Leech] = 25.194 m [Foot] = 8.079 m [Head] = 0.183 m Area = 139.21 m2 Ratio = 3.04
 [MHW] = 6.141 m [MTW] = 4.142 m [MUW] = 2.374 m [MLW] = 7.290 m

Angles (Flat on the floor) Clew: 98.13 i ¨ Tack: 87.45 i ¨ Head Fwd : 91.87 i ¨ Head Aft : 140.91 i ¨

Roach (After broadseaming)

	1/8	2/8	3/8	4/8	5/8	6/8	7/8
Luff	17.3 mm	38.4 mm	49.9 mm	52.2 mm	48.0 mm	37.0 mm	19.8 mm
Leech	586.5 mm	1080.6 mm	1508.8 mm	1858.0 mm	2048.9 mm	1989.5 mm	1393.7 mm

Reef, Battens, Shape stripes

	Luff (m) (ref: tack)	Leech (m) (ref: clew)	Length (m)	Width (m)
Reef	3.663	3.651	7.679	
Reef	7.540	7.508	7.148	
Reef	11.257	11.200	6.478	
Batten	21.502	21.657	2.746	0.025
Batten	18.716	18.677	4.308	0.025
Batten	15.989	15.916	5.301	0.025
Batten	13.290	13.221	6.044	0.025
Batten	10.611	10.558	6.622	0.025
Batten	7.945	7.909	7.091	0.025
Batten	5.286	5.266	7.489	0.025
Batten	2.638	2.629	7.811	0.025

Area & Weight

Sail area: 138.48 m2 Reefed: R1: 107.92 m2 (77.9%) / R2: 79.04 m2 (57.1%) / R3: 53.88 m2 (38.9%)
 Material area: 314.97 m2 Material weight: ??? Total weight: ???

Materials

Material's ID	Material's ref. (&color)	Area (m2)	Mass (gr)	Panels
	Default	259.96		1-20 21-39
10.1 BLACK	10.1 radial dacron	55.013		40-152

Seam width

Seam width (mm)	Zones; Total length (m)
38.0	Zones: Z1; TOTAL: 110.3m

Sail outline finishings

Hemmings: None
 Outline drawings: None

Notes

