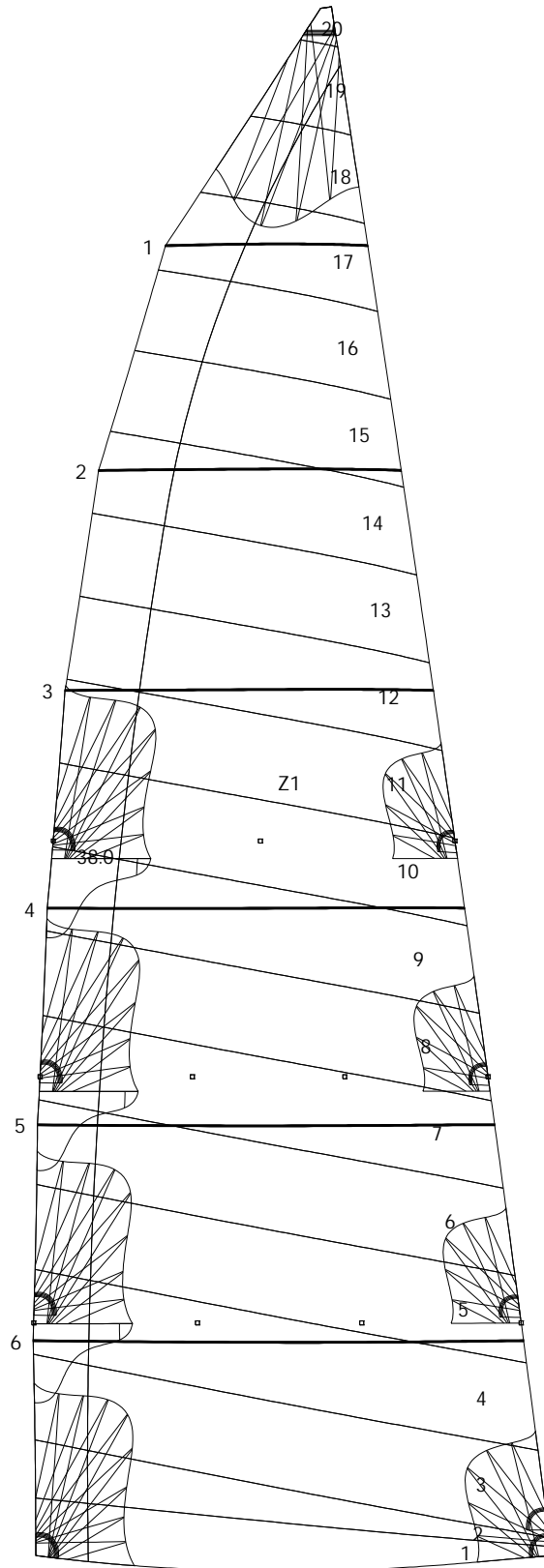




Date: 21/03/2024  
 Designer: BIFA  
 Company: FAREAST SAILS  
 Filename: 8000303-1 Bart Lagoon 620 main.pak

**Sail:**  
**Boat:**  
**Customer:**  
 Order Ref.:

# Panel layout

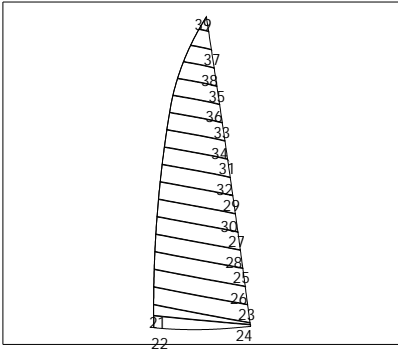


0 5m

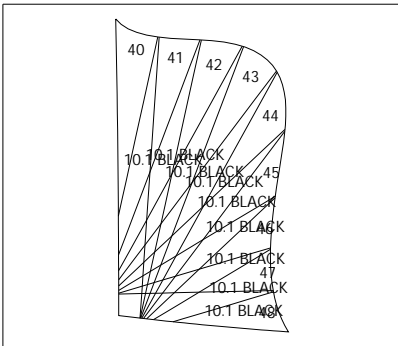




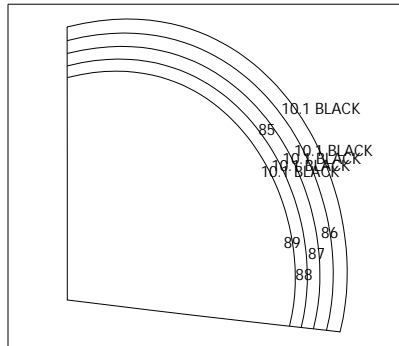
# Patch layout



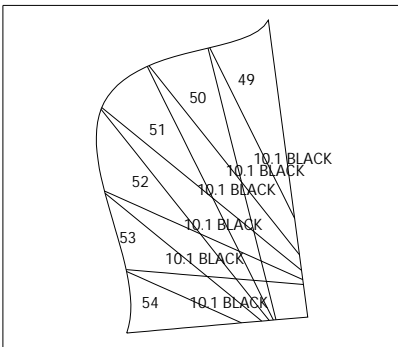
PZ1\_0



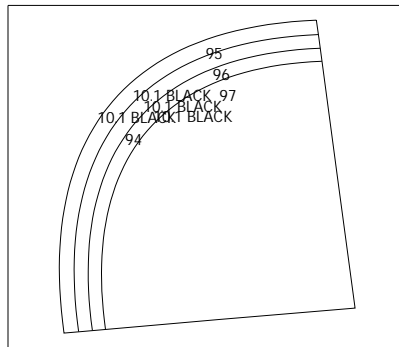
P2



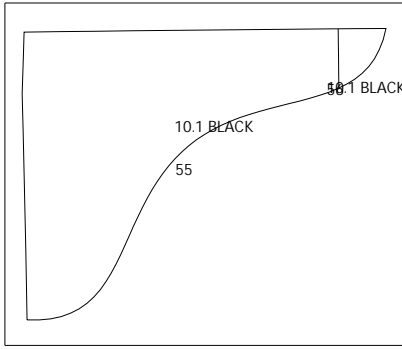
P10



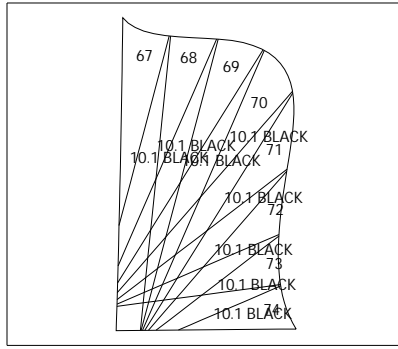
P3



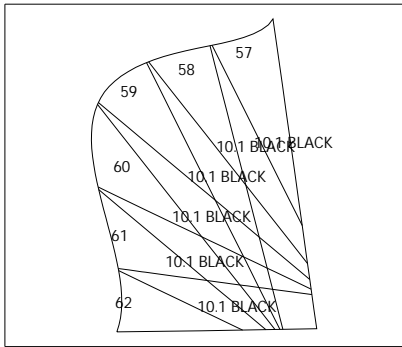
P12



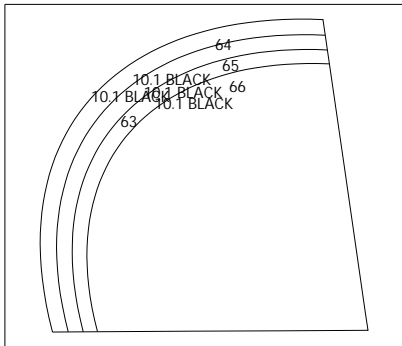
P4



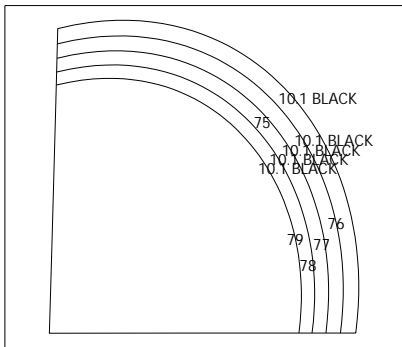
P7



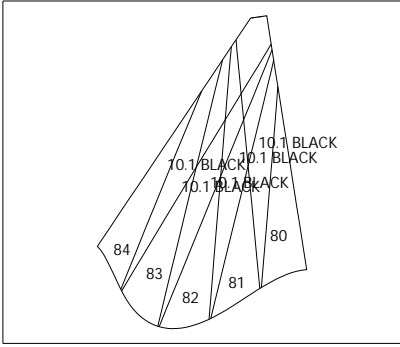
P5



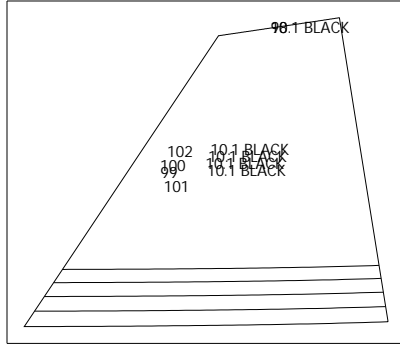
P6



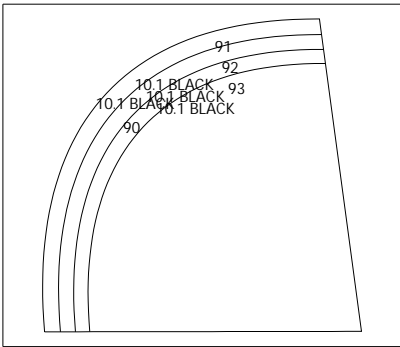
P8



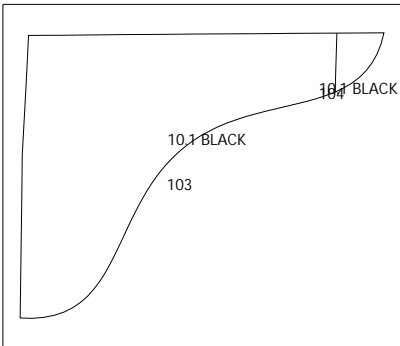
P9



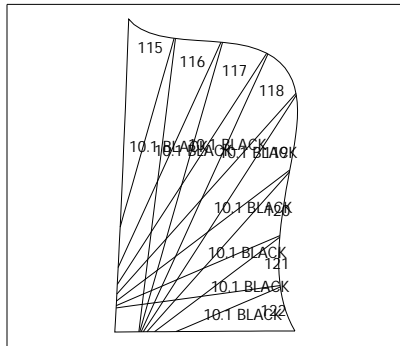
P13



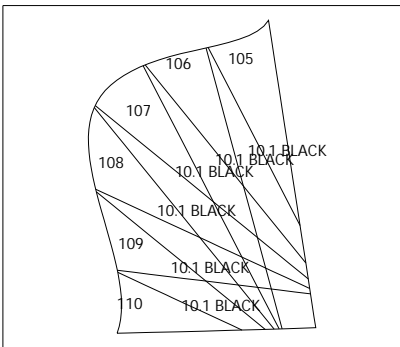
P11



P14



P17



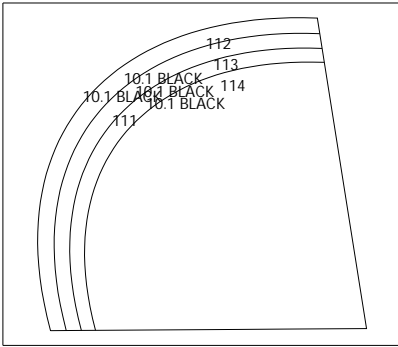
P15



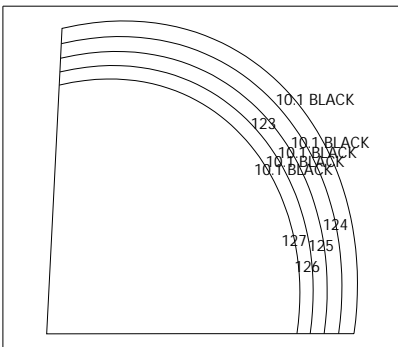


Date: 21/03/2024  
 Designer: BIFA  
 Company: FAREAST SAILS  
 Filename: 8000303-1 Bart Lagoon 620 main.pak

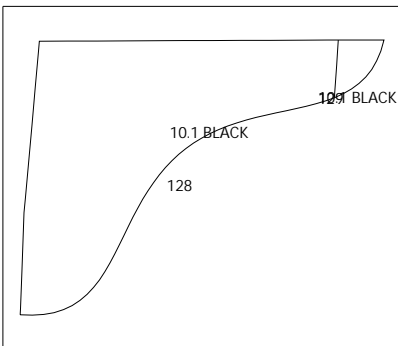
Sail:  
 Boat:  
 Customer:  
 Order Ref.:



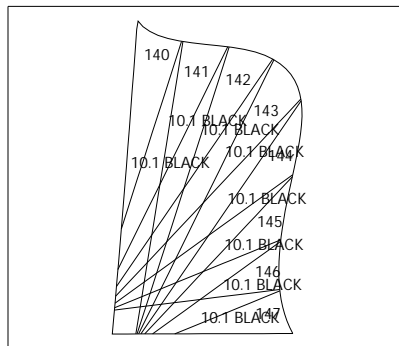
P16



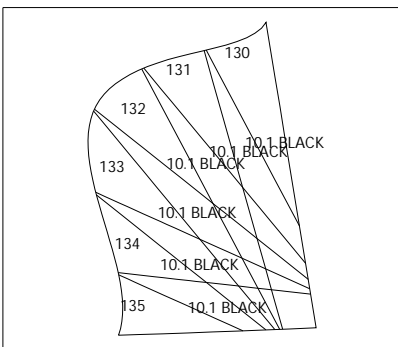
P18



P19



P22

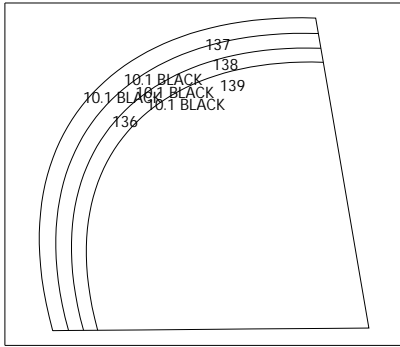


P20

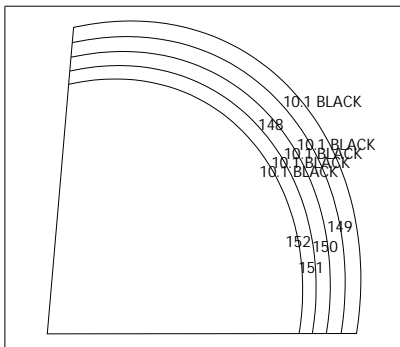




Date: 21/03/2024  
 Designer: BIFA  
 Company: FAREAST SAILS  
 Filename: 8000303-1 Bart Lagoon 620 main.pak  
**Sail:**  
**Boat:**  
**Customer:**  
 Order Ref.:



P21



P23



Date: 21/03/2024  
 Designer: BIFA  
 Company: FAREAST SAILS  
 Filename: 8000303-1 Bart Lagoon 620 main.pak  
**Sail:**  
**Boat:**  
**Customer:**  
 Order Ref.:

## Measurement Check List

### Measurement rules Ref.: Mainsail IRC

[Luff] = 24.419 m [Leech] = 25.184 m [Foot] = 8.079 m [Head] = 0.183 m Area = 139.21 m2 Ratio = 3.04  
 [MHW] = 6.133 m [MTW] = 4.076 m [MUW] = 2.296 m [MLW] = 7.291 m

Angles (Flat on the floor) Clew: 98.13 i ª Tack: 87.45 i ª Head Fwd : 91.87 i ª Head Aft : 140.91 i ª

### Roach (After broadseaming)

	1/8	2/8	3/8	4/8	5/8	6/8	7/8
Luff	17.3 mm	38.4 mm	49.9 mm	52.2 mm	48.0 mm	37.0 mm	19.8 mm
Leech	586.5 mm	1080.6 mm	1508.8 mm	1858.0 mm	2048.9 mm	1989.5 mm	1393.7 mm

### Reef, Battens, Shape stripes

	Luff (m) (ref: tack)	Leech (m) (ref: clew)	Length (m)	Width (m)
Reef	3.663	3.650	7.689	
Reef	7.540	7.508	7.144	
Reef	11.257	11.201	6.469	
Batten	20.648	20.710	3.312	0.025
Batten	17.101	17.034	4.934	0.025
Batten	13.631	13.559	5.961	0.025
Batten	10.197	10.146	6.701	0.025
Batten	6.783	6.754	7.274	0.025
Batten	3.383	3.372	7.728	0.025

### Area & Weight

Sail area: 138.09 m2 Reefed: R1: 107.55 m2 (77.9%) / R2: 78.68 m2 (57.0%) / R3: 53.52 m2 (38.8%)

Material area: 314.23 m2 Material weight: ??? Total weight: ???

### Materials

Material's ID	Material's ref. (&color)	Area (m2)	Mass (gr)	Panels
	Default	259.56		1-20 21-39
10.1 BLACK	10.1 radial dacron	54.672		40-152

### Seam width

Seam width (mm)	Zones; Total length (m)
38.0	Zones: Z1; TOTAL: 110.0m

### Sail outline finishings

Hemmings: None

Outline drawings: None

### Notes