

Mainsail: 8000218 Jason-1 Wildcat 350 Catamaran MainV1.des

Design Info

=====

Initial Design Date: 21/3/2024
 Boat:
 Wildcat 350 Catamaran
 Client:

Design File:

\\NAS\Engineering files\Queenie-Customer Order\Fareast Sails\2024 Orders\Need to be Confirmed\8000218 Jason V1

Comments:
 Tack angle 82.2 degree

Design Data

=====

Main

Measurements

Luff geodesic: 12.870m
 Leech geodesic: 13.233m
 Foot geodesic: 4.850m
 Head geodesic: 0.850m
 Upper width (MUW): 1.668m
 Three-quarter width (MTW): 2.814m
 Half width (MHW): 4.091m
 Quarter width (MQW): 4.642m
 Foot median: 12.962m
 ORC Mainsail area: 46.055m?
 Surface area: 48.729m?
 Clew height: 0.100m
 Mast rake: 0.000m

Battens

Position	Length	Roach	Angle	Luff	Leech	Full
100.000%	1.104m	0.000m	110.134?	12.179m	13.118m	Full
88.298%	2.287m	0.865m	81.352?	11.206m	11.583m	Full
73.494%	3.367m	1.268m	81.352?	9.301m	9.641m	Full
58.192%	4.007m	1.263m	81.352?	7.335m	7.633m	Full
40.535%	4.464m	1.024m	81.352?	5.069m	5.317m	Full
22.037%	4.740m	0.620m	81.352?	2.698m	2.891m	Full

Reefing Points

1, Luff: 1.566m ; Leech: 1.567m ; Offset: 0.000m ; Number Eyelets: 3
 2, Luff: 3.403m ; Leech: 3.402m ; Offset: 0.000m ; Number Eyelets: 3
 3, Luff: 5.589m ; Leech: 5.577m ; Offset: 0.000m ; Number Eyelets: 2

Draft Stripes

1, Luff: 3.211m ; Leech: 2.583m ;
 2, Luff: 6.425m ; Leech: 5.851m ;
 3, Luff: 9.644m ; Leech: 9.171m ;

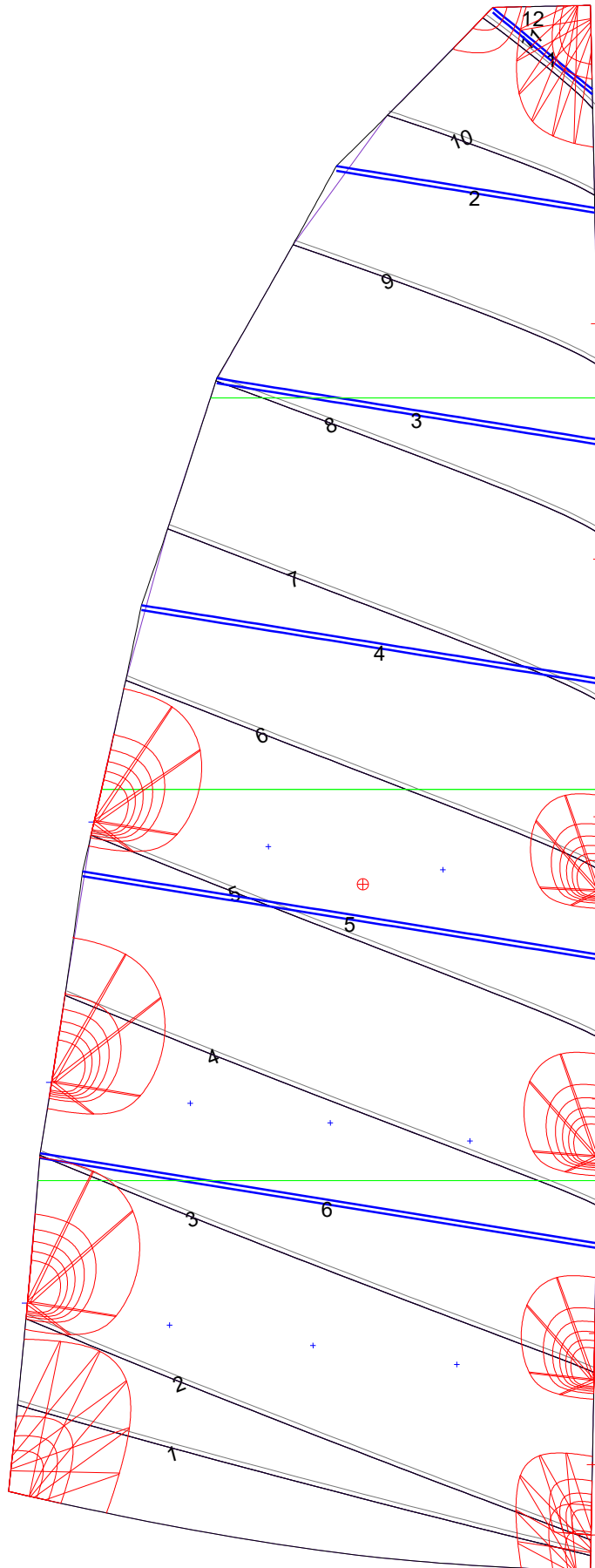
Luff Slides

1, Position: 0.877m
 2, Position: 1.954m
 3, Position: 3.883m
 4, Position: 6.202m
 5, Position: 8.318m
 6, Position: 10.254m

Luff Curve

		Fanned Luff (@ 5.00% [0.239m])	Before BSeam
12.869m,	0.000m	100% (12.870m) :	0.000m
11.266m,	-0.034m	90% (11.584m) :	0.018m
9.652m,	-0.059m	80% (10.296m) :	0.034m
8.034m,	-0.070m	70% (9.009m) :	0.043m
6.435m,	-0.071m	60% (7.722m) :	0.046m
4.795m,	-0.066m	50% (6.435m) :	0.046m
3.217m,	-0.052m	40% (5.148m) :	0.044m
1.604m,	-0.030m	30% (3.861m) :	0.037m
0.000m,	0.000m	20% (2.574m) :	0.027m
		10% (1.288m) :	0.013m
		0% (0.000m) :	0.000m

Mainsail: 8000218 Jason-1 Wildcat 350 Catamaran MainV1.des



Seam Allowances			
Zone: 1	Split	Radial	Cross
	0.038m	0.038m	0.038m

Edge Excesses			
Sail:	Luff	Leech	Foot
	0.000m	0.000m	0.000m

Total Seam Lengths (m)

Horizontal	42.28
Radial/Vertical	0.00
Bi-Radial Split	0.00

Materials

Material	Area (m ²)	Panels
Material 1	48.69	1,2,3,4,5 6,7,8,9,10 11,12