

Mainsail: 8000131 Yves-1 Chatam extreem 40.des

Design Info
=====

Design File:
\\NAS\Engineering files\Queenie-Customer Order\Fareast Sails\2024 Orders\Need to be Confirmed\8000131 Yves main

Initial Design Date: 3/2/2024
Boat:

Comments:

Client:

Design Data
=====

Main

Measurements

Luff geodesic: 13.140m
 Leech geodesic: 13.911m
 Foot geodesic: 4.750m
 Head geodesic: 0.135m
 Upper width (MUW): 0.878m
 Three-quarter width (MTW): 1.605m
 Half width (MHW): 2.858m
 Quarter width (MQW): 3.896m
 Foot median: 13.472m
 ORC Mainsail area: 35.491m?
 Surface area: 36.329m?
 Clew height: -0.028m
 Mast rake: 0.000m

Battens

Position	Length	Roach	Angle	Luff	Leech	Full
80.000%	1.383m	0.225m	71.885?	10.507m	11.089m	Full
60.000%	1.200m	0.292m	71.885?	7.879m	8.317m	
40.000%	1.200m	0.258m	71.885?	5.252m	5.545m	
20.000%	1.200m	0.149m	71.885?	2.626m	2.772m	

Reefing Points

1, Luff: 1.800m ; Leech: 1.877m ; Offset: 0.000m ; Number Eyelets: 0
 2, Luff: 3.600m ; Leech: 3.752m ; Offset: 0.000m ; Number Eyelets: 0
 3, Luff: 5.500m ; Leech: 5.732m ; Offset: 0.000m ; Number Eyelets: 0

Draft Stripes

1, Luff: 3.284m ; Leech: 3.329m ;
 2, Luff: 6.569m ; Leech: 6.787m ;
 3, Luff: 9.854m ; Leech: 10.274m ;

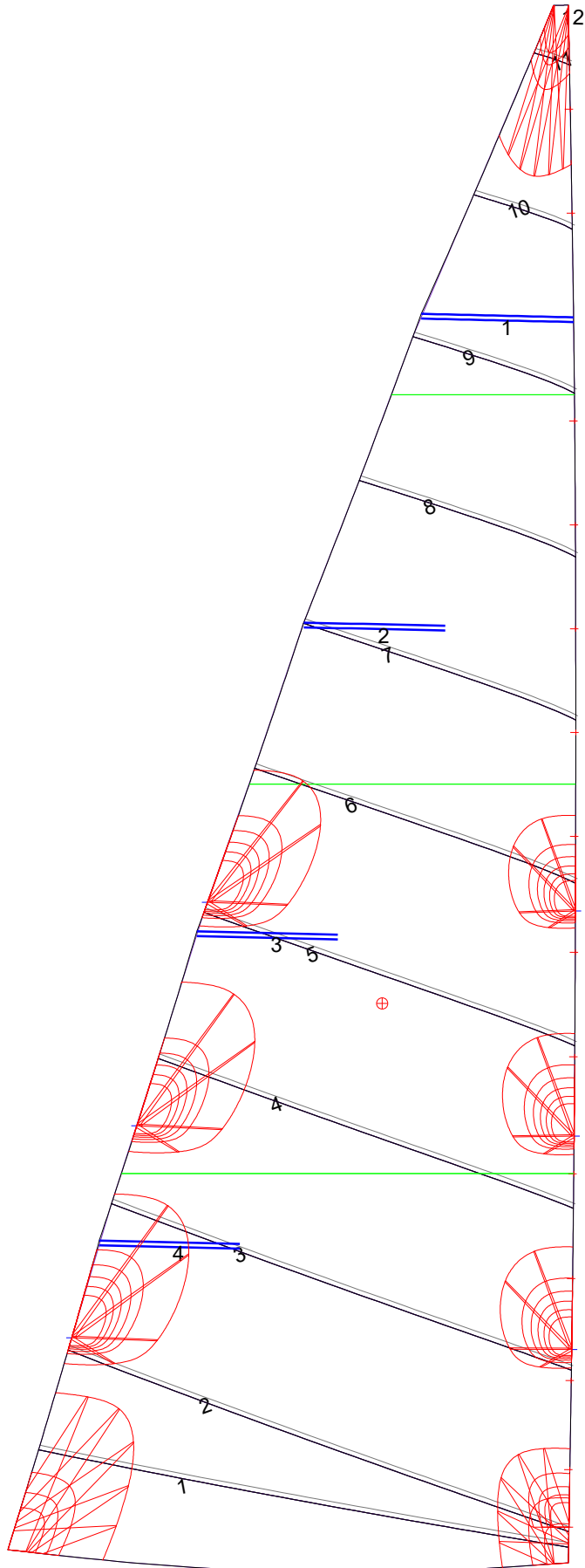
Luff Slides

1, Position: 0.785m
 2, Position: 1.539m
 3, Position: 2.399m
 4, Position: 3.282m
 5, Position: 4.270m
 6, Position: 5.150m
 7, Position: 6.128m
 8, Position: 7.004m
 9, Position: 7.879m
 10, Position: 8.755m
 11, Position: 9.631m
 12, Position: 11.384m
 13, Position: 12.262m

Luff Curve

		Fanned Luff (@ 5.00% [0.237m])	Before BSeam
13.140m,	0.000m	100% (13.140m) :	0.000m
11.502m,	-0.030m	90% (11.826m) :	0.052m
9.855m,	-0.052m	80% (10.512m) :	0.097m
8.203m,	-0.061m	70% (9.198m) :	0.128m
6.570m,	-0.062m	60% (7.884m) :	0.145m
4.896m,	-0.058m	50% (6.570m) :	0.150m
3.285m,	-0.046m	40% (5.256m) :	0.142m
1.637m,	-0.026m	30% (3.942m) :	0.122m
0.000m,	0.000m	20% (2.628m) :	0.091m
		10% (1.314m) :	0.046m
		0% (0.000m) :	0.000m

Mainsail: 8000131 Yves-1 Chatam extreem 40.des



Seam Allowances			
Zone: 1	Split	Radial	Cross
	0.040m	0.040m	0.040m

Edge Excesses			
Sail:	Luff	Leech	Foot
	0.000m	0.000m	0.000m

Total Seam Lengths (m)

Horizontal	31.07
Radial/Vertical	0.00
Bi-Radial Split	0.00

Materials

Material	Area (m ²)	Panels
Material 1	36.37	1,2,3,4,5 6,7,8,9,10 11,12