

Mainsail: 8000131 Yves-1 Chatam extreem 40 V4.des

Design Info
=====

Design File:
\\NAS\Engineering files\Queenie-Customer Order\Fareast Sails\2024 Orders\Need to be Confirmed\8000131 Yves main

Initial Design Date: 27/3/2024
Boat:
Chatam extreem 40
Client:

Comments:
tack angle 88.66deg

Design Data
=====

Main

Measurements

Luff geodesic: 13.140m
Leech geodesic: 13.905m
Foot geodesic: 4.750m
Head geodesic: 0.135m
Upper width (MUW): 0.823m
Three-quarter width (MTW): 1.505m
Half width (MHW): 2.737m
Quarter width (MQW): 3.815m
Foot median: 13.469m
ORC Mainsail area: 34.494m?
Surface area: 35.174m?
Clew height: 0.156m
Mast rake: 0.000m

Battens

Position	Length	Roach	Angle	Luff	Leech	Full
80.000%	1.279m	0.148m	71.888?	10.508m	11.089m	Full
60.000%	1.200m	0.193m	71.888?	7.881m	8.317m	
40.000%	1.200m	0.170m	71.888?	5.253m	5.545m	
20.000%	1.200m	0.098m	71.888?	2.627m	2.772m	

Reefing Points

- 1, Luff: 1.800m ; Leech: 1.887m ; Offset: 0.000m ; Number Eyelets: 0
- 2, Luff: 3.600m ; Leech: 3.770m ; Offset: 0.000m ; Number Eyelets: 0
- 3, Luff: 5.500m ; Leech: 5.757m ; Offset: 0.000m ; Number Eyelets: 0

Draft Stripes

- 1, Luff: 3.284m ; Leech: 3.347m ;
- 2, Luff: 6.569m ; Leech: 6.816m ;
- 3, Luff: 9.854m ; Leech: 10.301m ;

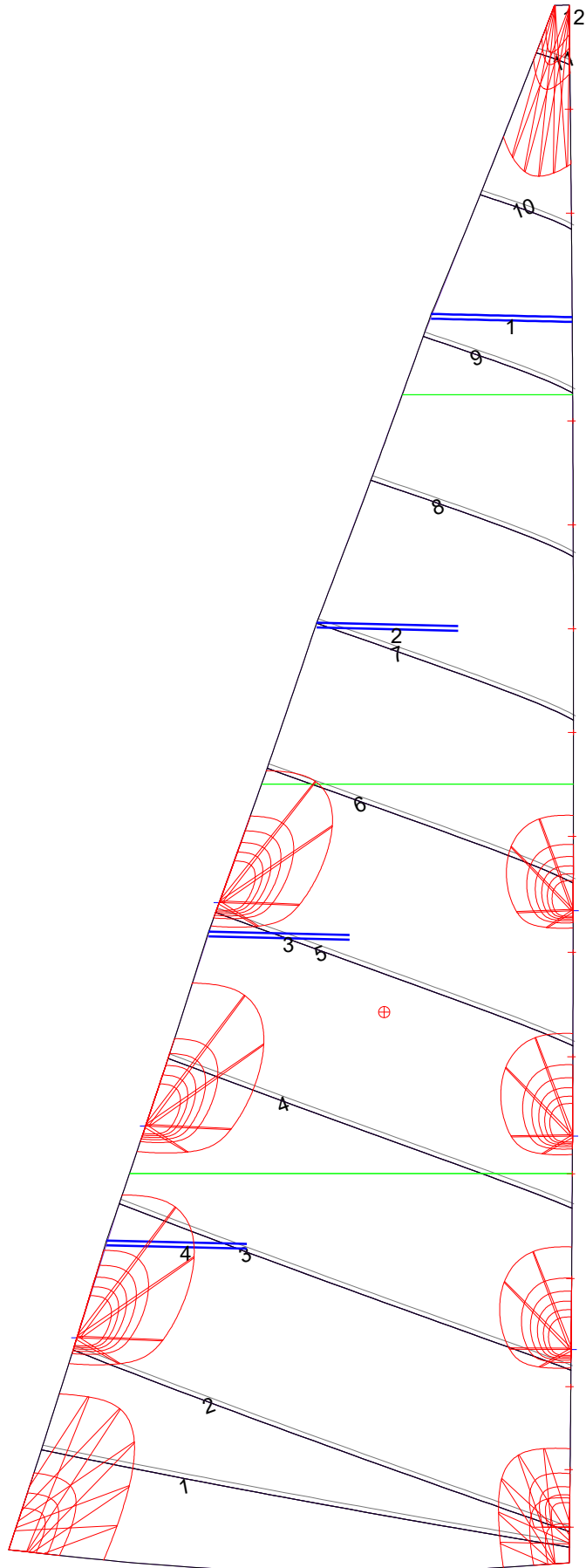
Luff Slides

- 1, Position: 0.785m
- 2, Position: 1.486m
- 3, Position: 2.399m
- 4, Position: 3.282m
- 5, Position: 4.270m
- 6, Position: 5.150m
- 7, Position: 6.128m
- 8, Position: 7.004m
- 9, Position: 7.879m
- 10, Position: 8.755m
- 11, Position: 9.631m
- 12, Position: 11.384m
- 13, Position: 12.262m

Luff Curve

		Fanned Luff (@ 5.00% [0.237m])	Before BSeam
13.140m,	0.000m	100% (13.140m) :	0.000m
11.502m,	-0.017m	90% (11.826m) :	0.040m
9.855m,	-0.029m	80% (10.512m) :	0.075m
8.203m,	-0.034m	70% (9.198m) :	0.100m
6.570m,	-0.035m	60% (7.884m) :	0.115m
4.896m,	-0.032m	50% (6.570m) :	0.120m
3.285m,	-0.026m	40% (5.256m) :	0.115m
1.637m,	-0.015m	30% (3.942m) :	0.098m
0.000m,	0.000m	20% (2.628m) :	0.074m
		10% (1.314m) :	0.038m
		0% (0.000m) :	0.000m

Mainsail: 8000131 Yves-1 Chatam extreem 40 V4.des



Seam Allowances			
Zone: 1	Split	Radial	Cross
	0.040m	0.040m	0.040m

Edge Excesses			
Sail:	Luff	Leech	Foot
	0.000m	0.000m	0.000m

Total Seam Lengths (m)

Horizontal	30.18
Radial/Vertical	0.00
Bi-Radial Split	0.00

Materials

Material	Area (m ²)	Panels
Material 1	35.23	1,2,3,4,5 6,7,8,9,10 11,12