

Mainsail: 8000131 Yves-1 Chatam extreem 40 V3.des

Design Info

=====

Initial Design Date: 5/3/2024
 Boat:
 Chatam extreem 40
 Client:

Design File:

\\NAS\Engineering files\Queenie-Customer Order\Fareast Sails\2024 Orders\Need to be Confirmed\8000131 Yves main

Comments:

Design Data

=====

Main

Measurements

Luff geodesic: 13.140m
 Leech geodesic: 13.908m
 Foot geodesic: 4.750m
 Head geodesic: 0.135m
 Upper width (MUW): 0.849m
 Three-quarter width (MTW): 1.553m
 Half width (MHW): 2.795m
 Quarter width (MQW): 3.852m
 Foot median: 13.470m
 ORC Mainsail area: 34.965m?
 Surface area: 35.735m?
 Clew height: 0.156m
 Mast rake: 0.000m

Battens

Position	Length	Roach	Angle	Luff	Leech	Full
80.000%	1.331m	0.196m	70.548?	10.533m	11.089m	Full
60.000%	1.200m	0.255m	70.548?	7.927m	8.317m	
40.000%	1.200m	0.224m	70.548?	5.322m	5.545m	
20.000%	1.200m	0.130m	70.548?	2.716m	2.772m	

Reefing Points

1, Luff: 1.800m ; Leech: 1.881m ; Offset: 0.000m ; Number Eyelets: 0
 2, Luff: 3.600m ; Leech: 3.759m ; Offset: 0.000m ; Number Eyelets: 0
 3, Luff: 5.500m ; Leech: 5.741m ; Offset: 0.000m ; Number Eyelets: 0

Draft Stripes

1, Luff: 3.284m ; Leech: 3.336m ;
 2, Luff: 6.569m ; Leech: 6.798m ;
 3, Luff: 9.854m ; Leech: 10.285m ;

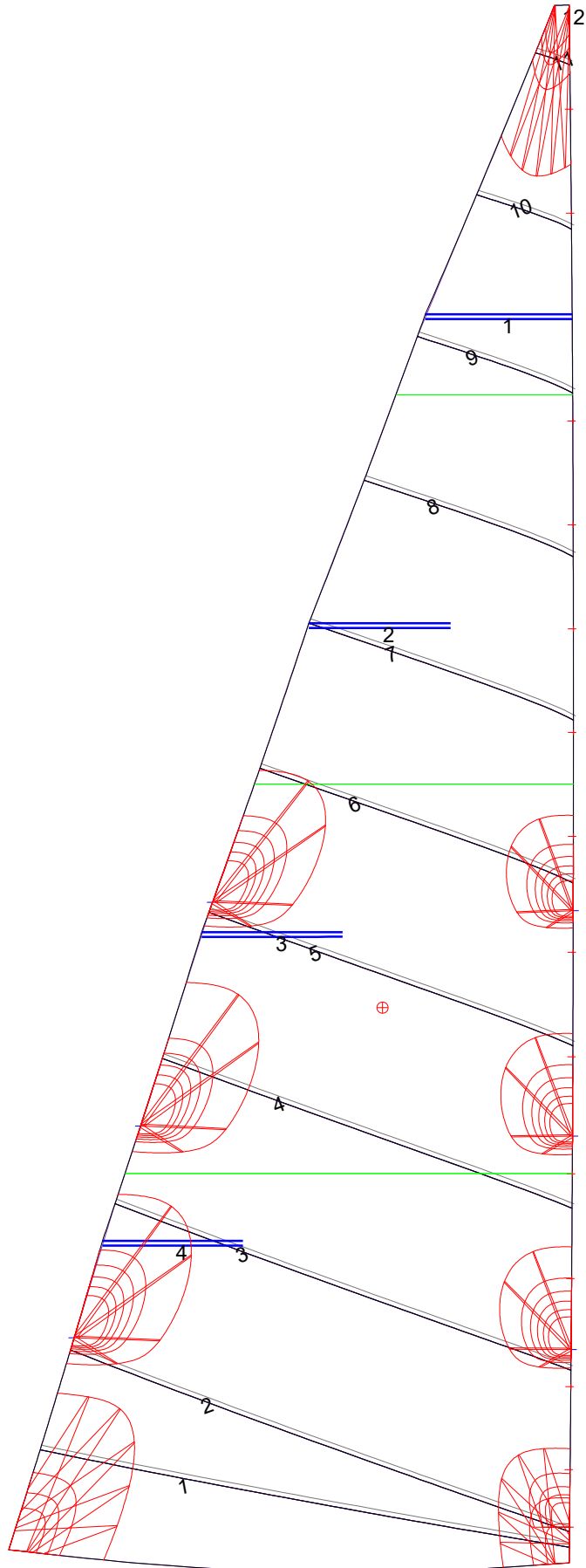
Luff Slides

1, Position: 0.785m
 2, Position: 1.486m
 3, Position: 2.399m
 4, Position: 3.282m
 5, Position: 4.270m
 6, Position: 5.150m
 7, Position: 6.128m
 8, Position: 7.004m
 9, Position: 7.879m
 10, Position: 8.755m
 11, Position: 9.631m
 12, Position: 11.384m
 13, Position: 12.262m

Luff Curve

		Fanned Luff (@ 5.00% [0.237m])	Before BSeam
13.140m,	0.000m	100% (13.140m) :	0.000m
11.502m,	-0.017m	90% (11.826m) :	0.041m
9.855m,	-0.029m	80% (10.512m) :	0.077m
8.203m,	-0.034m	70% (9.198m) :	0.102m
6.570m,	-0.035m	60% (7.884m) :	0.117m
4.896m,	-0.032m	50% (6.570m) :	0.122m
3.285m,	-0.026m	40% (5.256m) :	0.116m
1.637m,	-0.015m	30% (3.942m) :	0.099m
0.000m,	0.000m	20% (2.628m) :	0.074m
		10% (1.314m) :	0.037m
		0% (0.000m) :	0.000m

Mainsail: 8000131 Yves-1 Chatam extreem 40 V3.des



Seam Allowances			
Zone: 1	Split	Radial	Cross
	0.040m	0.040m	0.040m

Edge Excesses			
Sail:	Luff	Leech	Foot
	0.000m	0.000m	0.000m

Total Seam Lengths (m)

Horizontal	30.62
Radial/Vertical	0.00
Bi-Radial Split	0.00

Materials

Material	Area (m ²)	Panels
Material 1	35.79	1,2,3,4,5 6,7,8,9,10 11,12