

Mainsail: 8000131 Yves-1 Chatam extreem 40 V2.des

Design Info
=====

Design File:
\\NAS\Engineering files\Queenie-Customer Order\Fareast Sails\2024 Orders\Need to be Confirmed\8000131 Yves ma

Initial Design Date: 22/2/2024
Boat:
Chatam extreem 40
Client:

Comments:

Design Data
=====

Main

Measurements

Luff geodesic: 13.140m
Leech geodesic: 13.865m
Foot geodesic: 4.750m
Head geodesic: 0.135m
Upper width (MUW): 0.851m
Three-quarter width (MTW): 1.554m
Half width (MHW): 2.793m
Quarter width (MQW): 3.850m
Foot median: 13.448m
ORC Mainsail area: 34.958m?
Surface area: 35.717m?
Clew height: 0.156m
Mast rake: 0.000m

Battens

Position	Length	Roach	Angle	Luff	Leech	Full
80.000%	1.389m	0.196m	90.000?	10.160m	11.055m	Full
60.000%	1.200m	0.255m	90.000?	7.235m	8.291m	
40.000%	1.200m	0.224m	90.000?	4.314m	5.527m	
20.000%	1.200m	0.130m	90.000?	1.398m	2.764m	

Reefing Points

1, Luff: 1.800m ; Leech: 1.876m ; Offset: 0.000m ; Number Eyelets: 0
2, Luff: 3.600m ; Leech: 3.749m ; Offset: 0.000m ; Number Eyelets: 0
3, Luff: 5.500m ; Leech: 5.725m ; Offset: 0.000m ; Number Eyelets: 0

Draft Stripes

1, Luff: 3.284m ; Leech: 3.289m ;
2, Luff: 6.569m ; Leech: 6.752m ;
3, Luff: 9.854m ; Leech: 10.239m ;

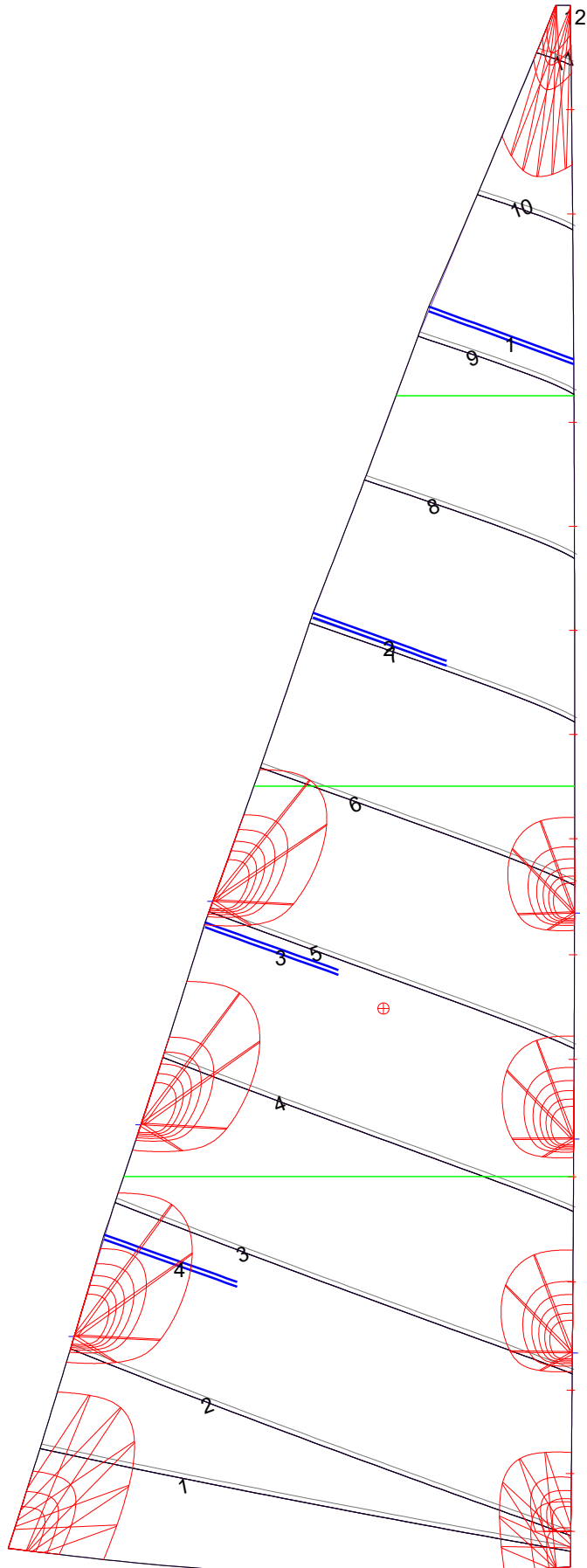
Luff Slides

1, Position: 0.785m
2, Position: 1.486m
3, Position: 2.399m
4, Position: 3.282m
5, Position: 4.270m
6, Position: 5.150m
7, Position: 6.128m
8, Position: 7.004m
9, Position: 7.879m
10, Position: 8.755m
11, Position: 9.631m
12, Position: 11.384m
13, Position: 12.262m

Luff Curve

		Fanned Luff (@ 5.00% [0.237m])	Before BSeam
13.140m,	0.000m	100% (13.140m) :	0.000m
11.502m,	-0.017m	90% (11.826m) :	0.041m
9.855m,	-0.029m	80% (10.512m) :	0.077m
8.203m,	-0.034m	70% (9.198m) :	0.102m
6.570m,	-0.035m	60% (7.884m) :	0.117m
4.896m,	-0.032m	50% (6.570m) :	0.122m
3.285m,	-0.026m	40% (5.256m) :	0.116m
1.637m,	-0.015m	30% (3.942m) :	0.099m
0.000m,	0.000m	20% (2.628m) :	0.074m
		10% (1.314m) :	0.037m
		0% (0.000m) :	0.000m

Mainsail: 8000131 Yves-1 Chatam extreem 40 V2.des



Seam Allowances			
Zone: 1	Split	Radial	Cross
	0.040m	0.040m	0.040m

Edge Excesses			
Sail:	Luff	Leech	Foot
	0.000m	0.000m	0.000m

Total Seam Lengths (m)

Horizontal	30.69
Radial/Vertical	0.00
Bi-Radial Split	0.00

Materials

Material	Area (m ²)	Panels
Material 1	35.76	1,2,3,4,5 6,7,8,9,10 11,12