

# Mainsail: 8000131 Yves-1 Chatam extreem 40 V1.des

Design Info  
=====

Design File:  
\\NAS\Engineering files\Queenie-Customer Order\Fareast Sails\2024 Orders\Need to be Confirmed\8000131 Yves main

Initial Design Date: 20/2/2024  
Boat:

Comments:

Client:

Design Data  
=====

## Main

### Measurements

Luff geodesic: 13.140m  
Leech geodesic: 13.867m  
Foot geodesic: 4.750m  
Head geodesic: 0.135m  
Upper width (MUW): 0.880m  
Three-quarter width (MTW): 1.606m  
Half width (MHW): 2.856m  
Quarter width (MQW): 3.894m  
Foot median: 13.449m  
ORC Mainsail area: 35.483m?  
Surface area: 36.309m?  
Clew height: 0.157m  
Mast rake: 0.000m

### Battens

Position	Length	Roach	Angle	Luff	Leech	Full
80.000%	1.442m	0.225m	90.000?	10.152m	11.054m	Full
60.000%	1.200m	0.292m	90.000?	7.225m	8.290m	
40.000%	1.200m	0.258m	90.000?	4.306m	5.527m	
20.000%	1.200m	0.149m	90.000?	1.395m	2.764m	

### Reefing Points

1, Luff: 1.800m ; Leech: 1.873m ; Offset: 0.000m ; Number Eyelets: 0  
2, Luff: 3.600m ; Leech: 3.743m ; Offset: 0.000m ; Number Eyelets: 0  
3, Luff: 5.499m ; Leech: 5.716m ; Offset: 0.000m ; Number Eyelets: 0

### Draft Stripes

1, Luff: 3.284m ; Leech: 3.281m ;  
2, Luff: 6.568m ; Leech: 6.739m ;  
3, Luff: 9.853m ; Leech: 10.228m ;

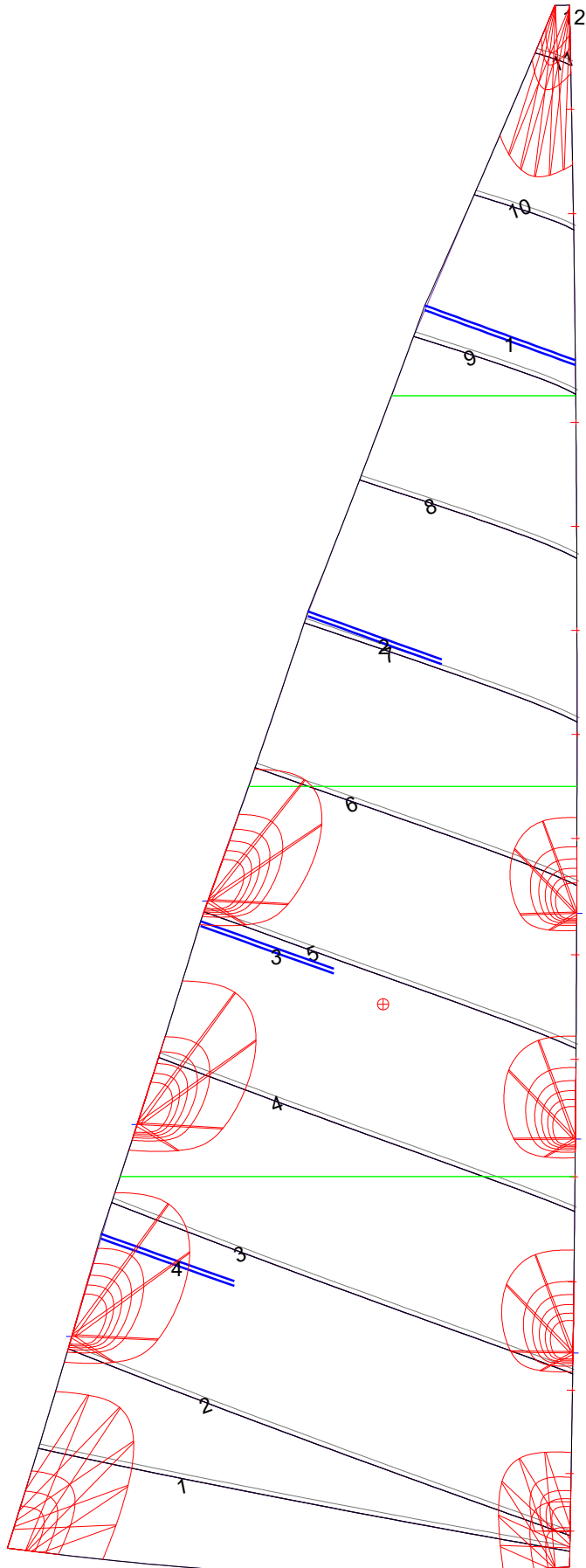
### Luff Slides

1, Position: 0.785m  
2, Position: 1.486m  
3, Position: 2.399m  
4, Position: 3.282m  
5, Position: 4.270m  
6, Position: 5.150m  
7, Position: 6.128m  
8, Position: 7.004m  
9, Position: 7.879m  
10, Position: 8.755m  
11, Position: 9.631m  
12, Position: 11.384m  
13, Position: 12.262m

### Luff Curve

		Fanned Luff (@ 5.00% [0.237m])	Before BSeam
13.140m,	0.000m	100% (13.140m) :	0.000m
11.502m,	-0.030m	90% (11.826m) :	0.052m
9.855m,	-0.052m	80% (10.512m) :	0.097m
8.203m,	-0.061m	70% (9.198m) :	0.128m
6.570m,	-0.062m	60% (7.884m) :	0.145m
4.896m,	-0.058m	50% (6.570m) :	0.149m
3.285m,	-0.046m	40% (5.256m) :	0.142m
1.637m,	-0.026m	30% (3.942m) :	0.121m
0.000m,	0.000m	20% (2.628m) :	0.091m
		10% (1.314m) :	0.046m
		0% (0.000m) :	0.000m

# Mainsail: 8000131 Yves-1 Chatam extreem 40 V1.des



Seam Allowances			
Zone: 1	Split	Radial	Cross
	0.040m	0.040m	0.040m

Edge Excesses			
Sail:	Luff	Leech	Foot
	0.000m	0.000m	0.000m

Total Seam Lengths (m)

Horizontal	31.13
Radial/Vertical	0.00
Bi-Radial Split	0.00

Materials

Material	Area (m <sup>2</sup> )	Panels
Material 1	36.35	1,2,3,4,5 6,7,8,9,10 11,12