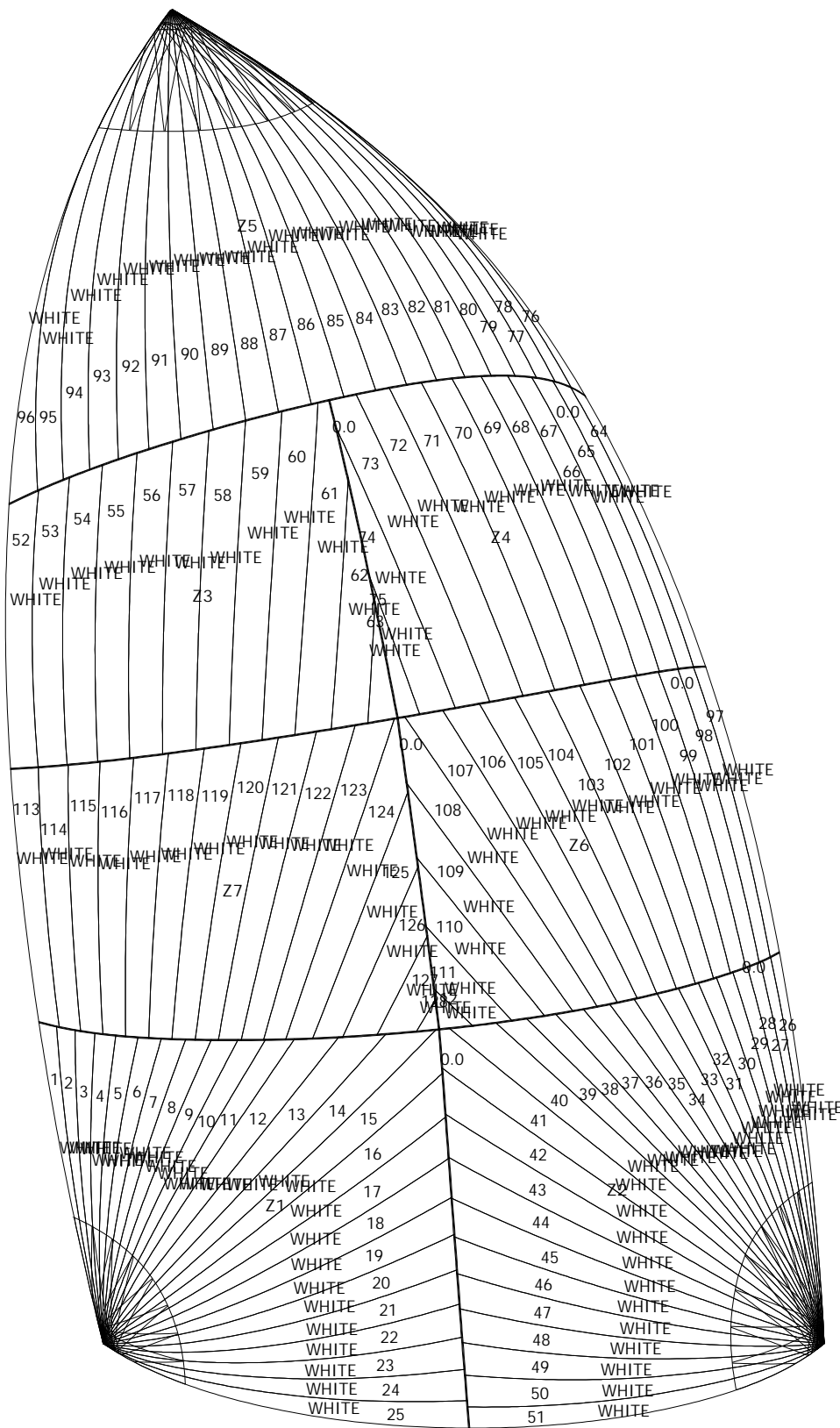




Date: 8/02/2024  
 Designer: Michael  
 Company: Far East  
 Filename: 8000130 Luke lagoon 77 asy.pak

Sail: asy  
 Boat: lagoon 77 asy  
 Customer:  
 Order Ref.: lagoon 77 asy

# Panel layout

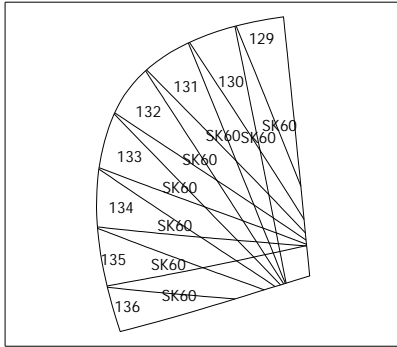


0 10m

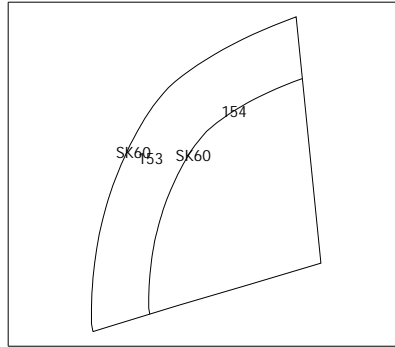




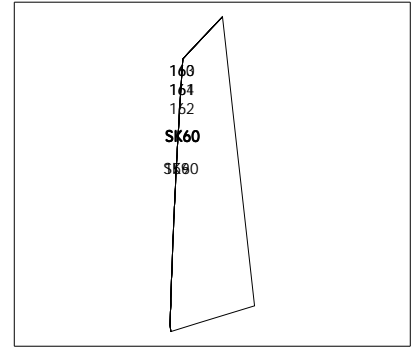
## Patch layout



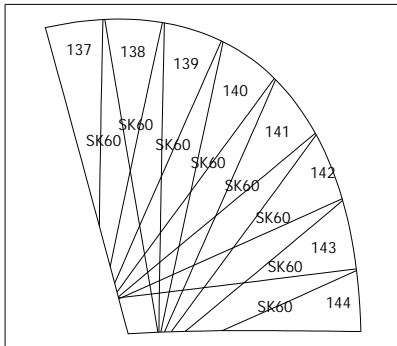
P8



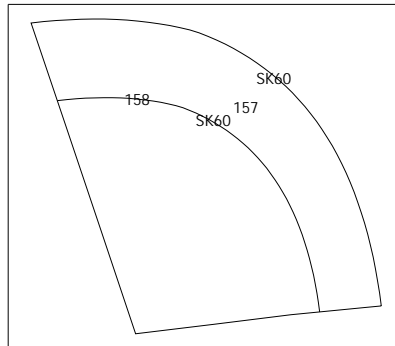
P11



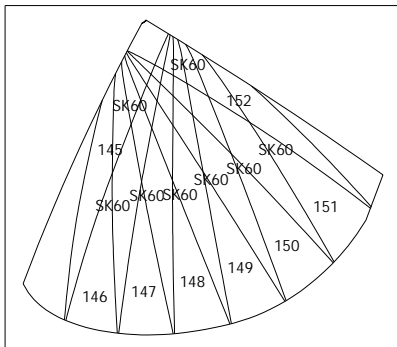
P14



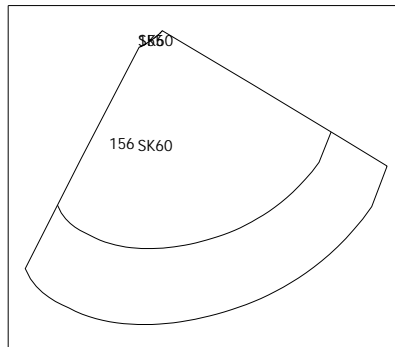
P9



P13



P10



P12



Date: 8/02/2024  
 Designer: Michael  
 Company: Far East  
 Filename: 8000130 Luke lagoon 77 asy.pak

Sail: asy  
 Boat: lagoon 77 asy  
 Customer:  
 Order Ref.: lagoon 77 asy

## Measurement Check List

### Measurement rules Ref.: Spi and Asy IMS

Area = 334.57 m2 [Luff] = 27.732 m [Leech] = 26.260 m [Foot] = 14.250 m [SF] = 14.233 m [SMG] = 14.124 m [SMW] = 15.433 m

Angles (Flat on the floor) Clew: 102.51 i ª Tack: 100.82 i ª Head : 94.10 i ª

### Roach (After broadseaming)

	1/8	2/8	3/8	4/8	5/8	6/8	7/8
Luff	-0.1 m	-0.2 m	-0.2 m	-0.3 m	-0.2 m	-0.1 m	0.0 m
Leech	-0.2 m	-0.4 m	-0.5 m	-0.5 m	-0.5 m	-0.3 m	-0.1 m

### Reef, Battens, Shape stripes

### Area & Weight

Sail area: 334.57 m2 Reefed: No reef  
 Material area: 385.58 m2 Material weight: ??? Total weight: ???

### Materials

Material's ID	Material's ref. (&color)	Area (m2)	Mass (gr)	Panels
SK60	Dark Blue	39.573		129-164
WHITE	Default	346.01		1-128

### Seam width

Seam width (m)	Zones; Total length (m)
0.0	Zone-seams: 1...6; TOTAL: 61.6m
0.0	Zones: Z1...Z7; TOTAL: 847.3m

### Sail outline finishings

Hemmings: None  
Outline drawings: None

### Notes