

Mainsail: 7001206 Hugo Ta chaio 42 Mizzen.des

Design Info
=====

Design File:
\\NAS\Engineering files\Queenie-Customer Order\Fareast Sails\2023 Order\Need to be Confirmed\7001206 Hugo\7001206 Hugo

Initial Design Date: 8/12/2023
Boat:

Comments:

Client:

Design Data
=====

Main

Measurements

Luff geodesic: 8.140m
 Leech geodesic: 8.624m
 Foot geodesic: 2.970m
 Head geodesic: 0.115m
 Upper width (MUW): 0.599m
 Three-quarter width (MTW): 1.076m
 Half width (MHW): 1.871m
 Quarter width (MQW): 2.488m
 Foot median: 8.285m
 ORC Mainsail area: 14.201m?
 Surface area: 14.504m?
 Clew height: 0.100m
 Mast rake: 0.000m

Battens

Position	Length	Roach	Angle	Luff	Leech	Full
82.000%	0.624m	0.187m	72.082?	6.670m	7.042m	
62.000%	0.891m	0.266m	72.082?	5.042m	5.324m	
42.000%	0.891m	0.239m	72.082?	3.415m	3.607m	
22.000%	0.743m	0.147m	72.082?	1.788m	1.889m	

Reefing Points

1, Luff: 0.993m ; Leech: 1.028m ; Offset: 0.000m ; Number Eyelets: 2
 2, Luff: 2.132m ; Leech: 2.206m ; Offset: 0.000m ; Number Eyelets: 2

Draft Stripes

1, Luff: 2.685m ; Leech: 2.720m ;
 2, Luff: 5.371m ; Leech: 5.549m ;

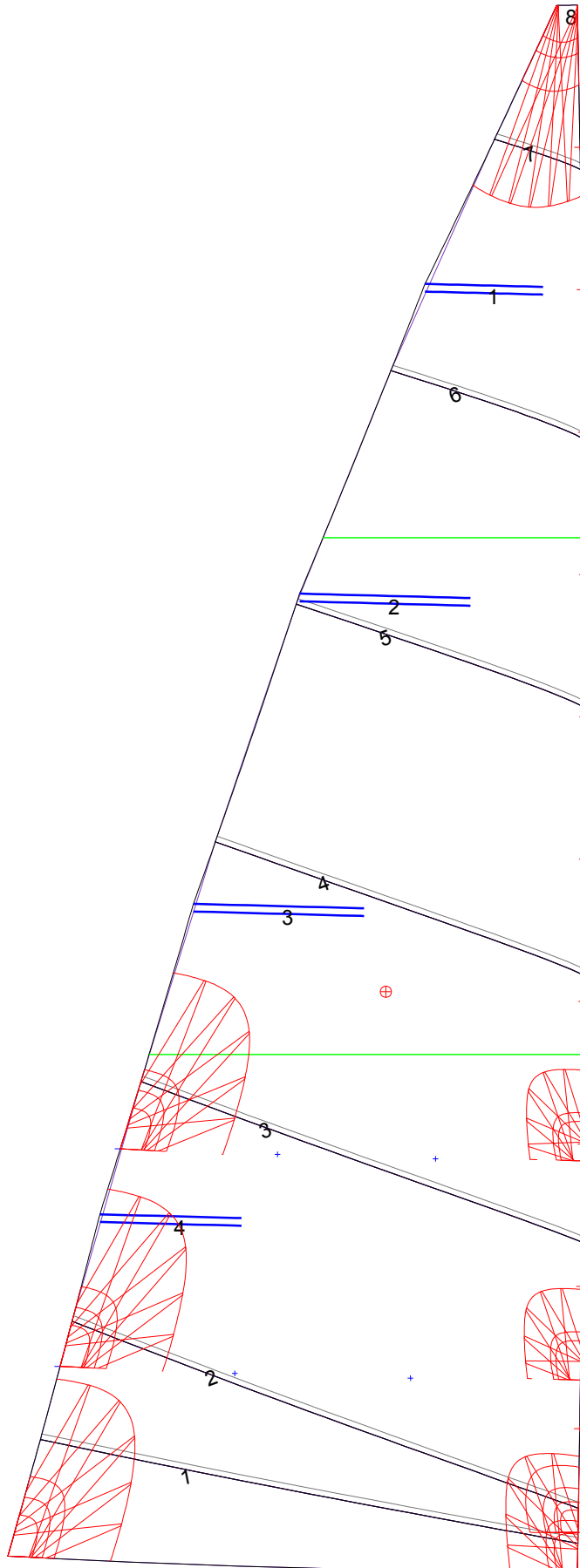
Luff Slides

1, Position: 0.740m
 2, Position: 1.480m
 3, Position: 2.220m
 4, Position: 2.960m
 5, Position: 3.700m
 6, Position: 4.440m
 7, Position: 5.180m
 8, Position: 5.920m
 9, Position: 6.660m
 10, Position: 7.400m

Luff Curve

		Fanned Luff (@ 5.00% [0.148m])	Before BSeam
8.140m,	0.000m	100% (8.140m) :	0.000m -0.000m
7.125m,	-0.019m	90% (7.326m) :	0.011m 0.030m
6.105m,	-0.032m	80% (6.512m) :	0.021m 0.058m
5.082m,	-0.038m	70% (5.698m) :	0.026m 0.078m
4.070m,	-0.039m	60% (4.884m) :	0.028m 0.089m
3.033m,	-0.036m	50% (4.070m) :	0.027m 0.090m
2.035m,	-0.029m	40% (3.256m) :	0.025m 0.085m
1.014m,	-0.016m	30% (2.442m) :	0.022m 0.072m
0.000m,	0.000m	20% (1.628m) :	0.016m 0.052m
		10% (0.814m) :	0.008m 0.027m
		0% (0.000m) :	0.000m 0.000m

Mainsail: 7001206 Hugo Ta chaio 42 Mizzen.des



Seam Allowances			
Zone: 1	Split	Radial	Cross
	0.030m	0.030m	0.030m

Edge Excesses			
Sail:	Luff	Leech	Foot
	0.000m	0.000m	0.000m

Total Seam Lengths (m)

Horizontal	13.61
Radial/Vertical	0.00
Bi-Radial Split	0.00

Materials

Material	Area (m ²)	Panels
Material 1	14.49	1,2,3,4,5 6,7,8