

Mainsail: 7001126 Alec-1 Mainsail.des

Design Info
=====

Design File:
\\NAS\Engineering files\Queenie-Customer Order\Fareast Sails\2023 Order\Need to be Confirmed\7001126 Alec\7001

Initial Design Date: 6/12/2023
Boat:

Comments:

Client:

Design Data
=====

Main

Measurements

Luff geodesic: 13.530m
 Leech geodesic: 14.383m
 Foot geodesic: 5.088m
 Head geodesic: 0.135m
 Upper width (MUW): 0.998m
 Three-quarter width (MTW): 1.832m
 Half width (MHW): 3.214m
 Quarter width (MQW): 4.271m
 Foot median: 13.892m
 ORC Mainsail area: 40.371m?
 Surface area: 41.583m?
 Clew height: 0.100m
 Mast rake: 0.000m

Battens

Position	Length	Roach	Angle	Luff	Leech	Full
82.000%	1.473m	0.332m	71.301?	11.087m	11.743m	Full
62.000%	2.690m	0.472m	71.301?	8.382m	8.879m	Full
42.000%	3.643m	0.424m	71.301?	5.677m	6.015m	Full
22.000%	4.406m	0.262m	71.301?	2.973m	3.151m	Full

Reefing Points

1, Luff: 1.758m ; Leech: 1.826m ; Offset: 0.000m ; Number Eyelets: 3
 2, Luff: 3.584m ; Leech: 3.719m ; Offset: 0.000m ; Number Eyelets: 3

Draft Stripes

1, Luff: 3.381m ; Leech: 3.392m ;
 2, Luff: 6.763m ; Leech: 6.951m ;
 3, Luff: 10.145m ; Leech: 10.565m ;

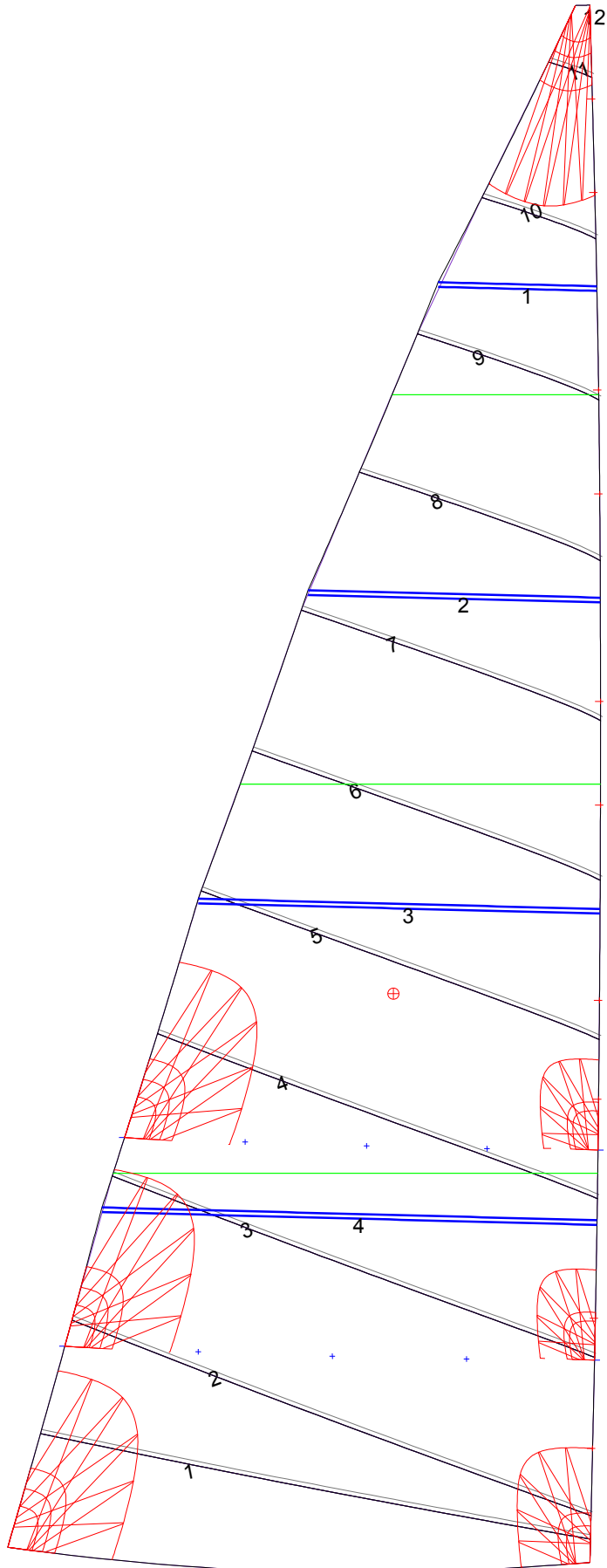
Luff Slides

1, Position: 0.991m
 2, Position: 2.122m
 3, Position: 4.024m
 4, Position: 4.884m
 5, Position: 6.579m
 6, Position: 7.480m
 7, Position: 9.284m
 8, Position: 10.185m
 9, Position: 11.902m
 10, Position: 12.716m

Luff Curve

		Fanned Luff (@ 5.00% [0.253m])	Before BSeam
13.529m,	0.000m	100% (13.530m) :	0.000m
11.843m,	-0.044m	90% (12.177m) :	0.061m
10.147m,	-0.076m	80% (10.824m) :	0.116m
8.446m,	-0.090m	70% (9.471m) :	0.156m
6.764m,	-0.091m	60% (8.118m) :	0.175m
5.041m,	-0.085m	50% (6.765m) :	0.179m
3.382m,	-0.068m	40% (5.412m) :	0.167m
1.686m,	-0.038m	30% (4.059m) :	0.140m
0.000m,	0.000m	20% (2.706m) :	0.102m
		10% (1.353m) :	0.054m
		0% (0.000m) :	0.000m

Mainsail: 7001126 Alec-1 Mainsail.des



Seam Allowances			
Zone: 1	Split	Radial	Cross
	0.038m	0.038m	0.038m

Edge Excesses			
Sail:	Luff	Leech	Foot
	0.000m	0.000m	0.000m

Total Seam Lengths (m)

Horizontal	34.30
Radial/Vertical	0.00
Bi-Radial Split	0.00

Materials

Material	Area (m ²)	Panels
Material 1	41.62	1,2,3,4,5 6,7,8,9,10 11,12