

Mainsail: 7001124 Elmar MainsailV1.des

Design Info
=====

Design File:
\\NAS\Engineering files\Queenie-Customer Order\Fareast Sails\2023 Order\Need to be Confirmed\7001124 Elmar\700

Initial Design Date: 5/12/2023
Boat:

Comments:

Client:

Design Data
=====

Main

Measurements

Luff geodesic:	12.500m
Leech geodesic:	13.060m
Foot geodesic:	4.410m
Head geodesic:	0.135m
Upper width (MUW):	0.905m
Three-quarter width (MTW):	1.647m
Half width (MHW):	2.847m
Quarter width (MQW):	3.735m
Foot median:	12.755m
ORC Mainsail area:	32.837m?
Surface area:	33.766m?
Clew height:	0.100m
Mast rake:	0.000m

Battens

Position	Length	Roach	Angle	Luff	Leech	Full
82.000%	1.333m	0.318m	73.532?	10.239m	10.668m	Full
62.000%	2.398m	0.448m	73.532?	7.739m	8.066m	Full
42.000%	3.212m	0.399m	73.532?	5.242m	5.464m	Full
22.000%	3.844m	0.238m	73.532?	2.745m	2.862m	Full

Reefing Points

1, Luff: 1.524m ; Leech: 1.567m ; Offset: 0.000m ; Number Eyelets: 0
2, Luff: 3.310m ; Leech: 3.400m ; Offset: 0.000m ; Number Eyelets: 0
3, Luff: 5.621m ; Leech: 5.779m ; Offset: 0.000m ; Number Eyelets: 0

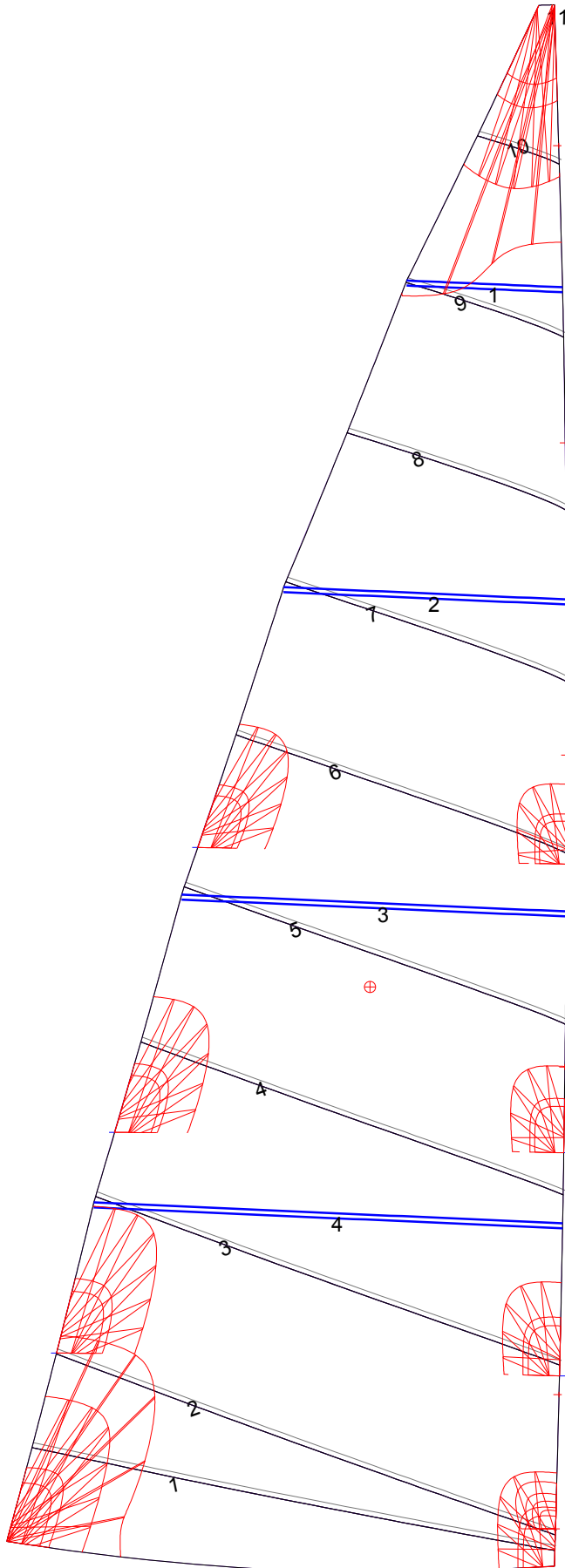
Luff Slides

1, Position: 1.373m
2, Position: 3.995m
3, Position: 6.494m
4, Position: 8.992m
5, Position: 11.371m

Luff Curve

		Fanned Luff (@ 5.00% [0.219m])	Before BSeam
12.499m,	0.000m	100% (12.500m) :	0.000m
10.941m,	-0.047m	90% (11.251m) :	0.060m
9.374m,	-0.081m	80% (10.000m) :	0.114m
7.803m,	-0.095m	70% (8.750m) :	0.152m
6.249m,	-0.097m	60% (7.500m) :	0.170m
4.657m,	-0.090m	50% (6.250m) :	0.173m
3.125m,	-0.072m	40% (5.000m) :	0.161m
1.558m,	-0.041m	30% (3.750m) :	0.136m
0.000m,	0.000m	20% (2.500m) :	0.099m
		10% (1.250m) :	0.053m
		0% (0.000m) :	0.000m

Mainsail: 7001124 Elmar MainsailV1.des



Seam Allowances

Zone: 1	Split	Radial	Cross
	0.040m	0.040m	0.040m

Edge Excesses

Sail:	Luff	Leech	Foot
	0.000m	0.000m	0.000m

Total Seam Lengths (m)

Horizontal	29.21
Radial/Vertical	0.00
Bi-Radial Split	0.00

Materials

Material	Area (m ²)	Panels
Material 1	33.82	1,2,3,4,5 6,7,8,9,10 11