

Mainsail: 7001124 Elmar Mainsail.des

Design Info
=====

Design File:
\\NAS\Engineering files\Queenie-Customer Order\Fareast Sails\2023 Order\Need to be Confirmed\7001124 Elmar\700

Initial Design Date: 5/12/2023
Boat:

Comments:

Client:

Design Data
=====

Main

Measurements

Luff geodesic: 12.500m
 Leech geodesic: 13.142m
 Foot geodesic: 4.410m
 Head geodesic: 0.135m
 Upper width (MUW): 0.907m
 Three-quarter width (MTW): 1.655m
 Half width (MHW): 2.872m
 Quarter width (MQW): 3.759m
 Foot median: 12.797m
 ORC Mainsail area: 33.011m?
 Surface area: 34.004m?
 Clew height: 0.100m
 Mast rake: 0.000m

Battens

Position	Length	Roach	Angle	Luff	Leech	Full
82.000%	1.334m	0.318m	72.540?	10.242m	10.734m	Full
62.000%	2.425m	0.471m	72.540?	7.743m	8.116m	Full
42.000%	3.239m	0.422m	72.540?	5.244m	5.498m	Full
22.000%	3.870m	0.261m	72.540?	2.747m	2.880m	Full

Reefing Points

1, Luff: 1.524m ; Leech: 1.571m ; Offset: 0.000m ; Number Eyelets: 0
 2, Luff: 3.311m ; Leech: 3.411m ; Offset: 0.000m ; Number Eyelets: 0
 3, Luff: 5.623m ; Leech: 5.802m ; Offset: 0.000m ; Number Eyelets: 0

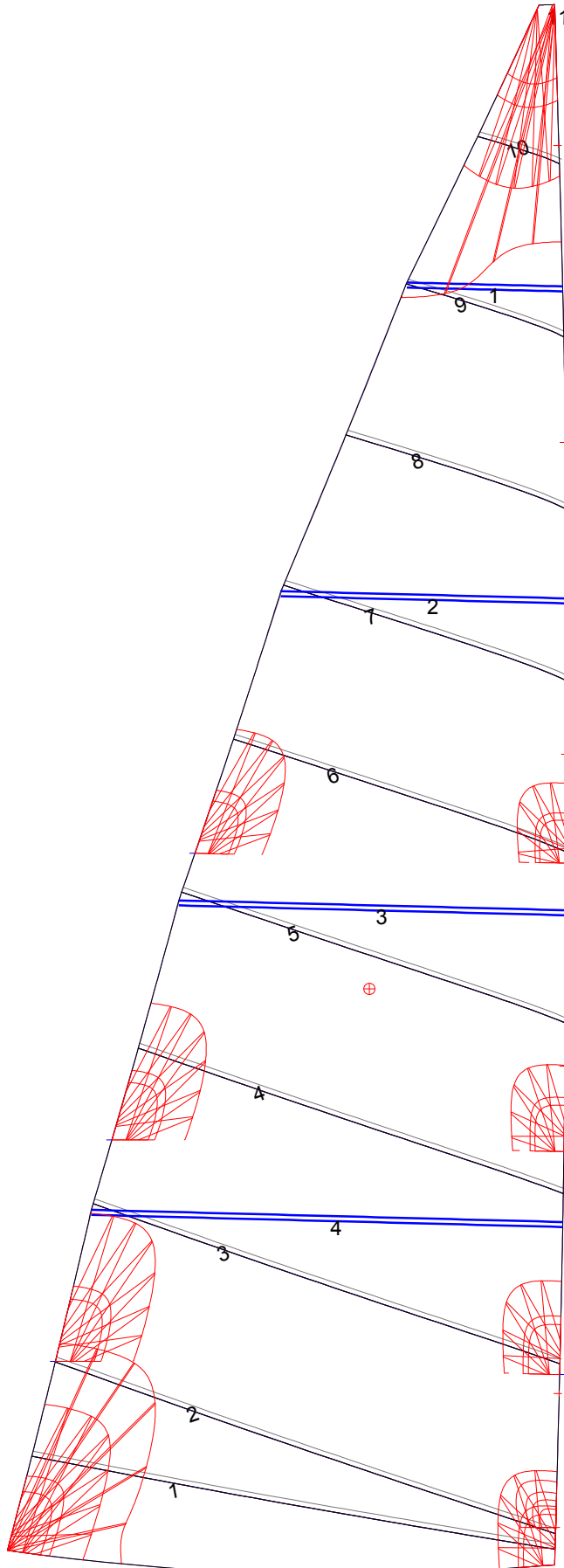
Luff Slides

1, Position: 1.373m
 2, Position: 3.995m
 3, Position: 6.494m
 4, Position: 8.992m
 5, Position: 11.371m

Luff Curve

		Fanned Luff (@ 5.00% [0.219m])	Before BSeam
12.499m,	0.000m	100% (12.500m) :	0.000m
10.941m,	-0.047m	90% (11.250m) :	0.060m
9.374m,	-0.081m	80% (10.000m) :	0.115m
7.803m,	-0.095m	70% (8.750m) :	0.153m
6.249m,	-0.097m	60% (7.500m) :	0.171m
4.657m,	-0.090m	50% (6.250m) :	0.174m
3.125m,	-0.072m	40% (5.000m) :	0.162m
1.558m,	-0.041m	30% (3.750m) :	0.136m
0.000m,	0.000m	20% (2.500m) :	0.099m
		10% (1.250m) :	0.053m
		0% (0.000m) :	0.000m

Mainsail: 7001124 Elmar Mainsail.des



Seam Allowances			
Zone: 1	Split	Radial	Cross
	0.040m	0.040m	0.040m

Edge Excesses			
Sail:	Luff	Leech	Foot
	0.000m	0.000m	0.000m

Total Seam Lengths (m)

Horizontal	29.24
Radial/Vertical	0.00
Bi-Radial Split	0.00

Materials

Material	Area (m ²)	Panels
Material 1	34.06	1,2,3,4,5 6,7,8,9,10 11