

Mainsail: 7001120 Darren Mainsail.des

Design Info
=====

Design File:
\\NAS\Engineering files\Queenie-Customer Order\Fareast Sails\2023 Order\Need to be Confirmed\7001120 Darren\7001120 Darren

Initial Design Date: 22/11/2023
Boat:

Comments:

Client:

Design Data
=====

Main

Measurements

Luff geodesic: 11.500m
 Leech geodesic: 12.141m
 Foot geodesic: 4.000m
 Head geodesic: 0.135m
 Upper width (MUW): 1.091m
 Three-quarter width (MTW): 1.926m
 Half width (MHW): 3.003m
 Quarter width (MQW): 3.595m
 Foot median: 11.775m
 ORC Mainsail area: 30.537m?
 Surface area: 31.983m?
 Clew height: 0.100m
 Mast rake: 0.000m

Battens

Position	Length	Roach	Angle	Luff	Leech	Full
85.522%	1.462m	0.685m	76.133?	9.788m	10.323m	Full
70.397%	2.355m	0.923m	75.226?	8.035m	8.497m	Full
53.554%	2.974m	0.860m	72.801?	6.156m	6.464m	Full
36.488%	3.408m	0.656m	72.801?	4.195m	4.404m	Full
18.852%	3.723m	0.352m	72.801?	2.169m	2.275m	Full

Reefing Points

1, Luff: 1.495m ; Leech: 1.519m ; Offset: 0.000m ; Number Eyelets: 0
 2, Luff: 3.162m ; Leech: 3.212m ; Offset: 0.000m ; Number Eyelets: 0
 3, Luff: 5.174m ; Leech: 5.262m ; Offset: 0.000m ; Number Eyelets: 0

Draft Stripes

1, Luff: 2.874m ; Leech: 2.826m ;
 2, Luff: 5.749m ; Leech: 5.770m ;
 3, Luff: 8.624m ; Leech: 8.773m ;

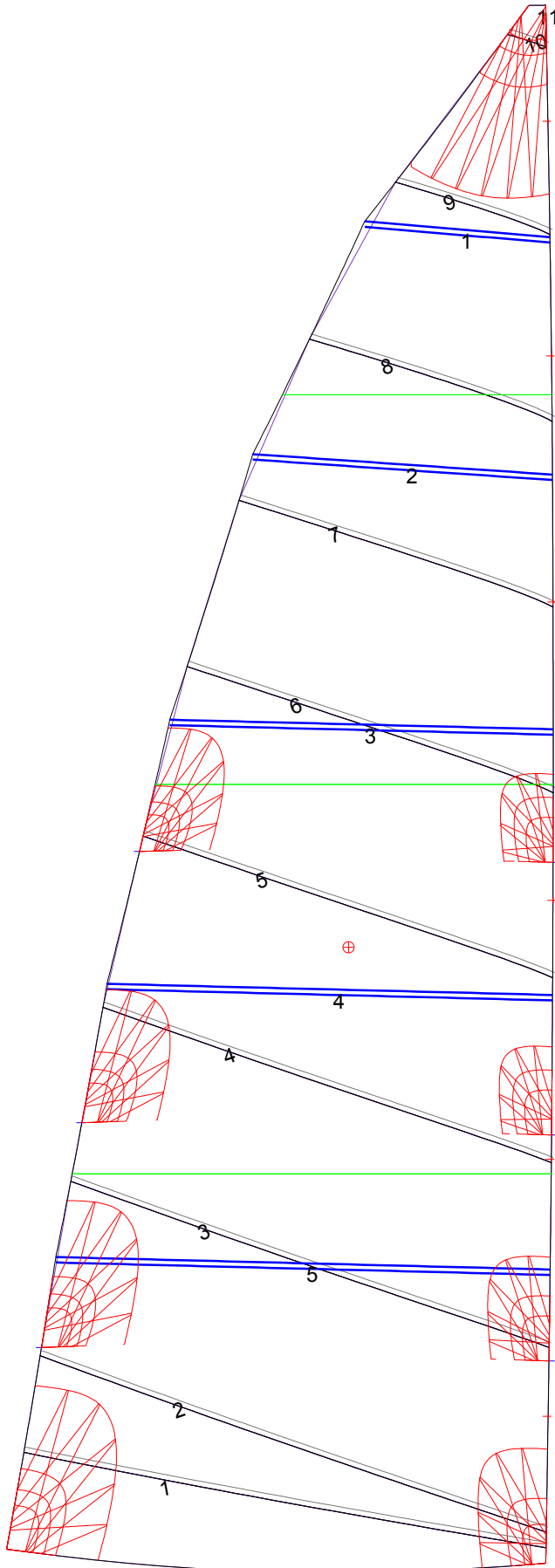
Luff Slides

1, Position: 1.084m
 2, Position: 2.981m
 3, Position: 4.894m
 4, Position: 7.095m
 5, Position: 8.911m
 6, Position: 10.644m

Luff Curve

		Fanned Luff (@ 5.00% [0.199m])	Before BSeam
11.500m,	0.000m	100% (11.500m) :	0.000m
10.067m,	-0.027m	90% (10.350m) :	0.015m
8.625m,	-0.046m	80% (9.200m) :	0.029m
7.179m,	-0.054m	70% (8.050m) :	0.036m
5.750m,	-0.055m	60% (6.900m) :	0.039m
4.285m,	-0.051m	50% (5.750m) :	0.039m
2.875m,	-0.040m	40% (4.600m) :	0.036m
1.433m,	-0.023m	30% (3.450m) :	0.031m
0.000m,	0.000m	20% (2.300m) :	0.023m
		10% (1.150m) :	0.012m
		0% (0.000m) :	0.000m

Mainsail: 7001120 Darren Mainsail.des



Seam Allowances			
Zone: 1	Split	Radial	Cross
	0.040m	0.040m	0.040m

Edge Excesses			
Sail:	Luff	Leech	Foot
	0.000m	0.000m	0.000m

Total Seam Lengths (m)

Horizontal	27.82
Radial/Vertical	0.00
Bi-Radial Split	0.00

Materials

Material	Area (m ²)	Panels
Material 1	31.94	1,2,3,4,5 6,7,8,9,10 11