

**Sail measurement form**

**Lazybag**

Order n° : 700116 DRAGAN Date : DEC, 26, 23

Type of boat : SAILBOAT CATALINA 42 Prototype : yes  no   
 Marina : SAN CARLOS, SAUNDRA MEXICO Dock : A-12  
 Last name : TRIVANOVC First Name : DRAGAN  
 Phone (INT 250-365-479) (CANADA)

**M:** Circumference mast (including all accessories such as pole eye, winch, etc.)  
**H:** Height from upper side of the boom till highest point of headboard  
**C1:** 50 cm behind the backside of the mast, circumference of the sail, boom excluded  
**C2:** 30 cm from the aft end of the sail, circumference of the sail, boom excluded  
**E:** Backside of the mast till aft end of the sail  
**J:** diameter groove boom  
**TE:** Width of headboard. From backside of th mast till aft end headboard.

**Type of lazybag :**

1 piece   
 2 pieces  (front part can be taken off)  
 Multihull

**Number of fix-points:**

3 fix-points   
 4 fix-points

**Type of mainsail :**

Classic   
 Fullbatten



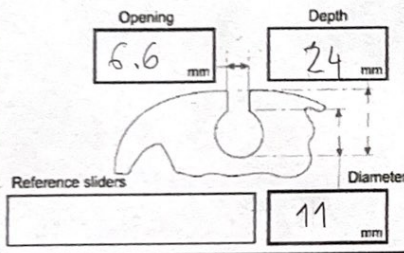
1 piece



2 pieces

Please note that if you need 2 pieces, we will add 1.5m extra fabric price.

**Details groove boom**

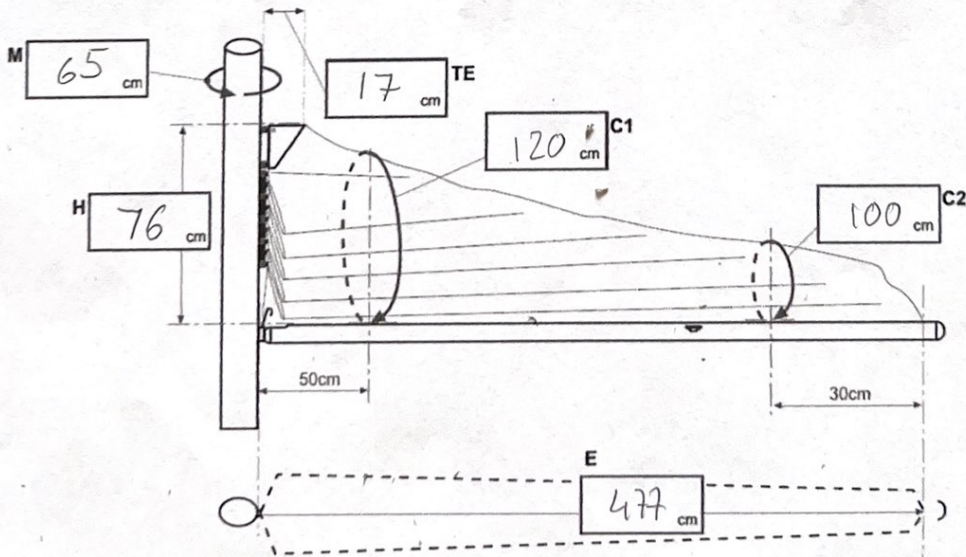


**Foot mainsail**

Diametre foot-luff

J  55 mm

Free  In groove



**Comments** EXISTING MEASUREMENTS: CLASSIC APPROX 30% MAINSAIL WHICH IS OLD AND USED