

Genoa: 7001110 Graham StaysailV1.des

Design Info
=====

Design File:
\\NAS\Engineering files\Queenie-Customer Order\Fareast Sails\2023 Order\Need to be Confirmed\7001110 Graham\7001110 Graham

Initial Design Date: 14/11/2023
Boat:

Comments:

Client:

Design Data
=====

Genoa

Measurements

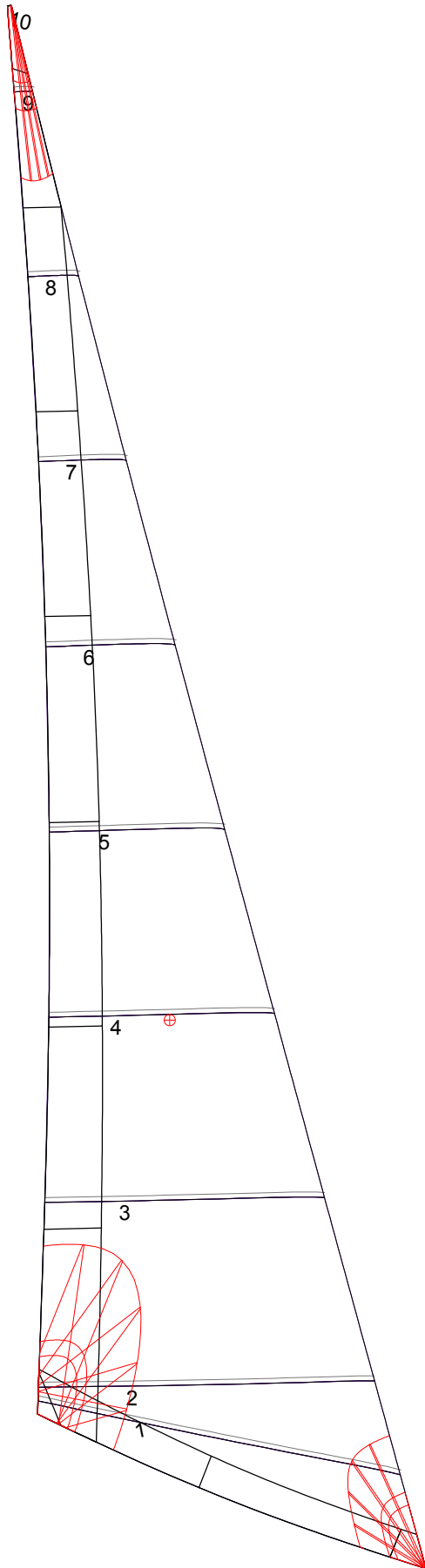
Luff geodesic: 37.415Ft
 Leech geodesic: 32.666Ft
 Foot geodesic: 9.750Ft
 Headboard width: 0.098Ft
 Luff perpendicular (HLP): 7.942Ft
 Upper width (HUW): 0.837Ft
 Three-quarter width (HTW): 1.633Ft
 Half width (HHW): 3.473Ft
 Quarter width (HQW): 5.606Ft
 Foot median: 34.980Ft
 ORC Headsail area: 138.790Ft?
 IRC Headsail area: 138.389Ft?
 Surface area: 139.383Ft?
 Forestay height: 37.500Ft
 J: 9.941Ft

Luff Curve

37.410Ft,	0.000Ft
34.302Ft,	0.094Ft
30.864Ft,	0.170Ft
27.837Ft,	0.209Ft
24.318Ft,	0.224Ft
18.617Ft,	0.197Ft
12.158Ft,	0.134Ft
6.323Ft,	0.067Ft
0.000Ft,	0.000Ft

Fanned Luff (@ 5.00% [0.449Ft])		Before BSeam
100% (37.411Ft) :	-0.000Ft	-0.000Ft
90% (33.675Ft) :	-0.111Ft	-0.038Ft
80% (29.929Ft) :	-0.192Ft	-0.054Ft
70% (26.190Ft) :	-0.232Ft	-0.044Ft
60% (22.448Ft) :	-0.239Ft	-0.018Ft
50% (18.706Ft) :	-0.220Ft	0.012Ft
40% (14.965Ft) :	-0.186Ft	0.037Ft
30% (11.224Ft) :	-0.144Ft	0.049Ft
20% (7.483Ft) :	-0.097Ft	0.051Ft
10% (3.740Ft) :	-0.050Ft	0.037Ft
0% (0.000Ft) :	0.000Ft	0.000Ft

Genoa: 7001110 Graham StaysailV1.des



Seam Allowances

	Split	Radial	Cross
Zone: 1	0.115Ft	0.115Ft	0.115Ft
Cover 1	0.082Ft	0.082Ft	0.082Ft
Cover 2	0.082Ft	0.082Ft	0.082Ft
Cover 3	0.000Ft	0.000Ft	0.000Ft
Cover 4	0.000Ft	0.000Ft	0.000Ft

Edge Excesses

	Luff	Leech	Foot
Sail:	0.000Ft	0.000Ft	0.000Ft
Cover 0	0.230Ft	0.328Ft	0.230Ft
Cover 1	0.230Ft	0.230Ft	0.328Ft
Cover 2	0.000Ft	0.230Ft	0.230Ft
Cover 3	0.000Ft	0.230Ft	0.230Ft

Total Seam Lengths (Ft)

Horizontal	40.32
Radial/Vertical	0.00
Bi-Radial Split	0.00

Materials

Material	Area (Ft ²)	Panels
Material 1	139.86	1,2,3,4,5 6,7,8,9,10