

Mainsail: 7001109 David Mainsail.des

Design Info
=====

Design File:
\\NAS\Engineering files\Queenie-Customer Order\Fareast Sails\2023 Order\Need to be Confirmed\7001109 David\700

Initial Design Date: 10/11/2023
Boat:

Comments:

Client:

Design Data
=====

Main

Measurements

Luff geodesic: 12.771m
Leech geodesic: 13.354m
Foot geodesic: 4.257m
Head geodesic: 0.115m
Upper width (MUW): 0.833m
Three-quarter width (MTW): 1.524m
Half width (MHW): 2.669m
Quarter width (MQW): 3.555m
Foot median: 13.046m
ORC Mainsail area: 31.737m?
Surface area: 32.550m?
Clew height: 0.100m
Mast rake: 0.000m

Battens

Position	Length	Roach	Angle	Luff	Leech	Full
83.333%	1.130m	0.251m	73.389?	10.638m	11.093m	Full
66.667%	2.011m	0.380m	73.389?	8.511m	8.874m	Full
50.000%	2.707m	0.364m	73.389?	6.384m	6.656m	Full
33.333%	3.318m	0.300m	73.389?	4.258m	4.437m	Full
16.667%	3.816m	0.162m	73.389?	2.132m	2.219m	Full

Reefing Points

1, Luff: 1.583m ; Leech: 1.630m ; Offset: 0.000m ; Number Eyelets: 3
2, Luff: 3.511m ; Leech: 3.615m ; Offset: 0.000m ; Number Eyelets: 3
3, Luff: 5.746m ; Leech: 5.924m ; Offset: 0.000m ; Number Eyelets: 2

Draft Stripes

1, Luff: 3.128m ; Leech: 3.126m ;
2, Luff: 6.320m ; Leech: 6.447m ;
3, Luff: 9.577m ; Leech: 9.879m ;

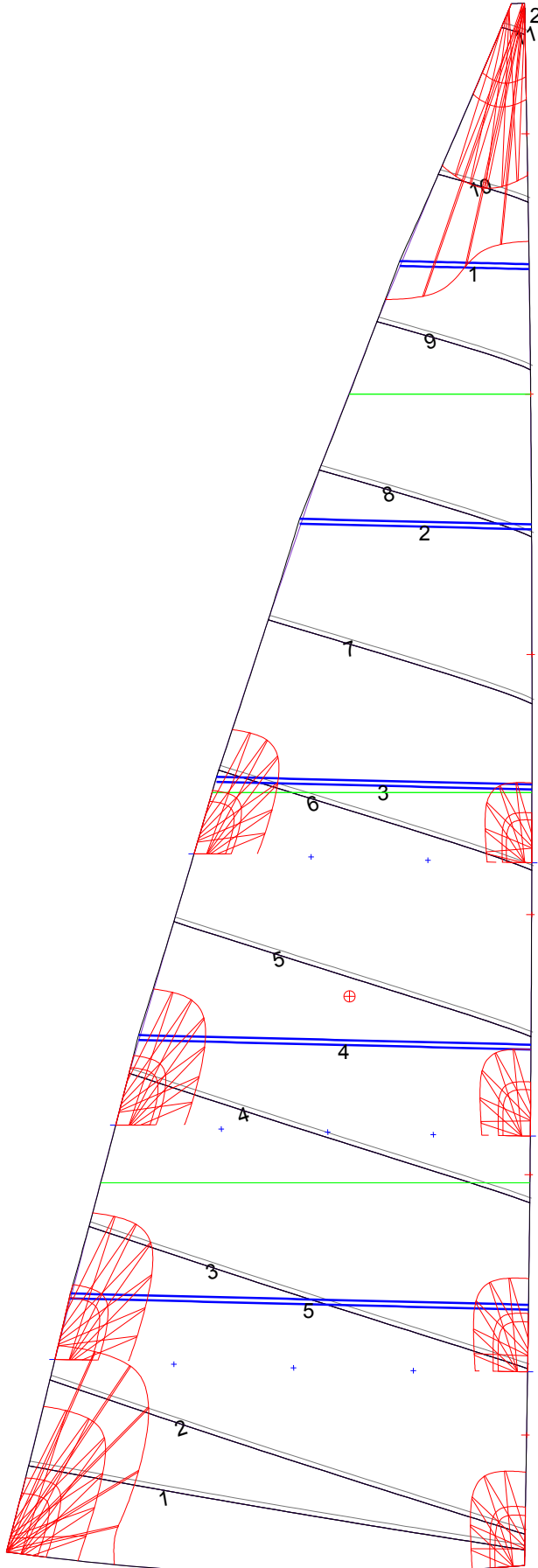
Luff Slides

1, Position: 1.066m
2, Position: 3.195m
3, Position: 5.321m
4, Position: 7.448m
5, Position: 9.575m
6, Position: 11.705m

Luff Curve

		Fanned Luff (@ 5.00% [0.212m])	Before BSeam
12.771m,	0.000m	100% (12.771m) :	0.000m
11.179m,	-0.029m	90% (11.494m) :	0.018m
9.578m,	-0.051m	80% (10.217m) :	0.086m
7.973m,	-0.060m	70% (8.940m) :	0.116m
6.385m,	-0.061m	60% (7.663m) :	0.131m
4.758m,	-0.056m	50% (6.386m) :	0.133m
3.193m,	-0.045m	40% (5.108m) :	0.125m
1.591m,	-0.025m	30% (3.831m) :	0.105m
0.000m,	0.000m	20% (2.554m) :	0.076m
		10% (1.277m) :	0.040m
		0% (0.000m) :	0.000m

Mainsail: 7001109 David Mainsail.des



Seam Allowances			
Zone: 1	Split	Radial	Cross
	0.040m	0.040m	0.040m

Edge Excesses			
Sail:	Luff	Leech	Foot
	0.000m	0.000m	0.000m

Total Seam Lengths (m)

Horizontal	28.33
Radial/Vertical	0.00
Bi-Radial Split	0.00

Materials

Material	Area (m ²)	Panels
Material 1	32.57	1,2,3,4,5 6,7,8,9,10 11,12