

Mainsail: 7001103 Marcelo Allied Luders 33 Battless Mainsail.des

Design Info
=====

Design File:
\\NAS\Engineering files\Queenie-Customer Order\Fareast Sails\2023 Order\Need to be Confirmed\7001103 Marcelo\7001103 Marcelo

Initial Design Date: 21/11/2023
Boat:

Comments:

Client:

Design Data
=====

Main

Measurements

Luff geodesic:	32.001Ft
Leech geodesic:	34.307Ft
Foot geodesic:	12.999Ft
Head geodesic:	0.377Ft
Upper width (MUW):	1.754Ft
Three-quarter width (MTW):	3.232Ft
Half width (MHW):	6.380Ft
Quarter width (MQW):	9.660Ft
Foot median:	32.940Ft
ORC Mainsail area:	207.475Ft ²
Surface area:	208.509Ft ²
Clew height:	1.076Ft
Mast rake:	0.000Ft

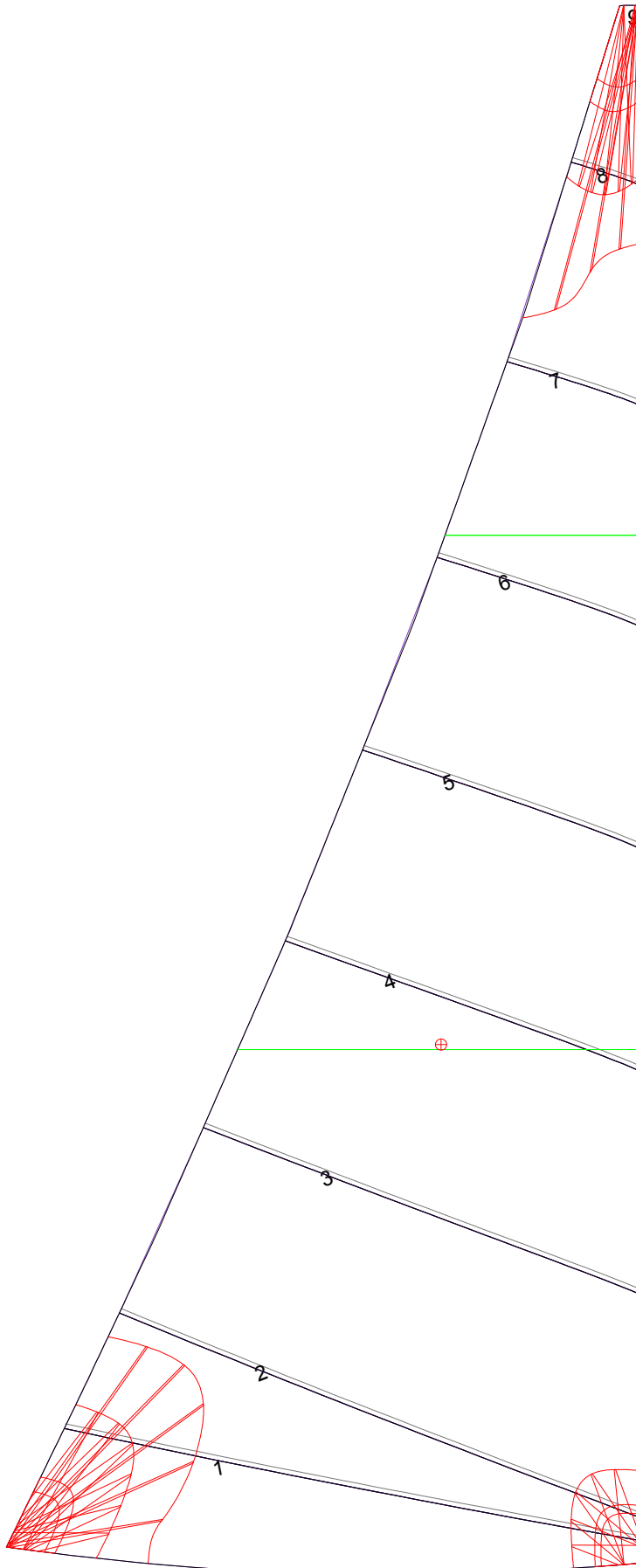
Draft Stripes

- 1, Luff: 10.557Ft ; Leech: 11.295Ft ;
- 2, Luff: 21.117Ft ; Leech: 22.659Ft ;

Luff Curve

		Fanned Luff (@ 5.00% [0.647Ft])	Before BSeam
32.000Ft,	0.000Ft	100% (32.001Ft) :	0.000Ft
28.012Ft,	-0.074Ft	90% (28.802Ft) :	0.101Ft
24.000Ft,	-0.127Ft	80% (25.601Ft) :	0.197Ft
19.978Ft,	-0.149Ft	70% (22.401Ft) :	0.269Ft
16.000Ft,	-0.152Ft	60% (19.201Ft) :	0.315Ft
11.924Ft,	-0.141Ft	50% (16.001Ft) :	0.333Ft
8.000Ft,	-0.113Ft	40% (12.800Ft) :	0.324Ft
3.988Ft,	-0.064Ft	30% (9.600Ft) :	0.287Ft
0.000Ft,	0.000Ft	20% (6.400Ft) :	0.217Ft
		10% (3.200Ft) :	0.112Ft
		0% (0.000Ft) :	0.000Ft

Mainsail: 7001103 Marcelo Allied Luders 33 Battless Mainsail.des



Seam Allowances			
Zone: 1	Split	Radial	Cross
	0.098Ft	0.098Ft	0.098Ft

Edge Excesses			
Sail:	Luff	Leech	Foot
	0.000Ft	0.000Ft	0.000Ft

Total Seam Lengths (Ft)

Horizontal	57.38
Radial/Vertical	0.00
Bi-Radial Split	0.00

Materials

Material	Area (Ft ²)	Panels
Material 1	209.06	1,2,3,4,5 6,7,8,9