

# Genoa: 7001009 Torodd Headsail.des

Design Info  
=====

Design File:  
\\NAS\Engineering files\Queenie-Customer Order\Fareast Sails\2023 Order\Need to be Confirmed\7001009 Torodd\70

Initial Design Date: 19/10/2023  
Boat:

Comments:

Client:

Design Data  
=====

## Genoa

### Measurements

Luff geodesic: 13.760m  
 Leech geodesic: 13.308m  
 Foot geodesic: 4.661m  
 Headboard width: 0.033m  
 Luff perpendicular (HLP): 4.510m  
 Upper width (HUW): 0.545m  
 Three-quarter width (HTW): 1.073m  
 Half width (HHW): 2.183m  
 Quarter width (HQW): 3.341m  
 Foot median: 13.445m  
 ORC Headsail area: 30.553m?  
 IRC Headsail area: 30.485m?  
 Surface area: 30.612m?  
 Forestay height: 14.210m  
 J: 4.200m

### Battens

| Position | Length | Roach   | Angle    | Luff     | Leech   | Full |
|----------|--------|---------|----------|----------|---------|------|
| 82.000%  | 1.500m | -0.070m | 160.449? | 34.056m  | 10.885m |      |
| 62.000%  | 1.600m | -0.110m | 160.449? | 85.078m  | 8.230m  |      |
| 42.000%  | 1.600m | -0.112m | 160.449? | 136.101m | 5.575m  |      |
| 22.000%  | 1.400m | -0.072m | 160.449? | 187.124m | 2.920m  |      |

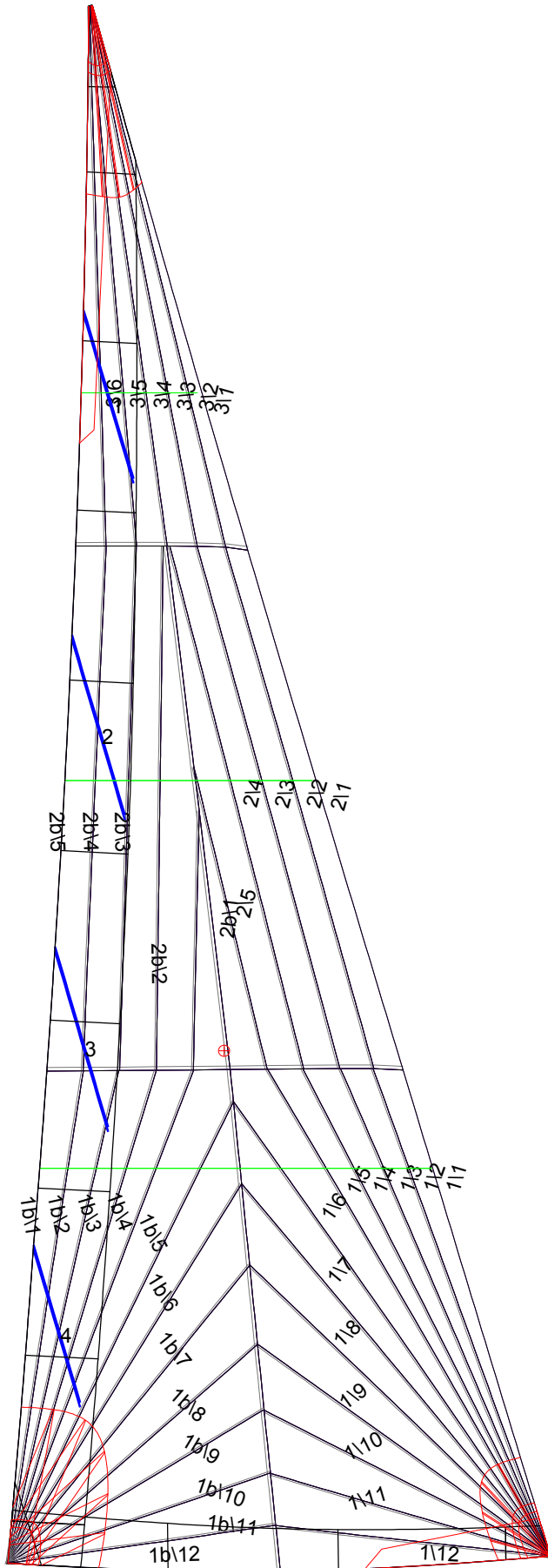
### Draft Stripes

1, Luff: 3.451m ; Leech: 3.382m ;  
 2, Luff: 6.901m ; Leech: 6.687m ;  
 3, Luff: 10.342m ; Leech: 9.981m ;

### Luff Curve

|          |        | Fanned Luff (@ 5.00% [0.231m]) | Before BSeam    |
|----------|--------|--------------------------------|-----------------|
| 13.759m, | 0.000m | 100% (13.759m) :               | 0.000m -0.000m  |
| 12.615m, | 0.035m | 90% (12.382m) :                | -0.035m -0.003m |
| 11.351m, | 0.063m | 80% (11.008m) :                | -0.061m -0.002m |
| 10.238m, | 0.077m | 70% (9.631m) :                 | -0.075m 0.005m  |
| 8.943m,  | 0.083m | 60% (8.256m) :                 | -0.078m 0.015m  |
| 6.847m,  | 0.072m | 50% (6.880m) :                 | -0.073m 0.024m  |
| 4.472m,  | 0.049m | 40% (5.504m) :                 | -0.062m 0.030m  |
| 2.326m,  | 0.025m | 30% (4.128m) :                 | -0.048m 0.030m  |
| 0.000m,  | 0.000m | 20% (2.752m) :                 | -0.033m 0.027m  |
|          |        | 10% (1.375m) :                 | -0.017m 0.017m  |
|          |        | 0% (0.000m) :                  | 0.000m 0.000m   |

# Genoa: 7001009 Torodd Headsail.des



## Seam Allowances

|           | Split  | Radial | Cross  |
|-----------|--------|--------|--------|
| Zone: 1/a | 0.026m | 0.016m | 0.030m |
| Zone: 1/b | 0.026m | 0.016m | 0.030m |
| Zone: 2/a | 0.026m | 0.016m | 0.030m |
| Zone: 2/b | 0.026m | 0.016m | 0.030m |
| Zone: 3   | 0.026m | 0.016m | 0.030m |
| Cover 1   | 0.025m | 0.025m | 0.025m |
| Cover 2   | 0.025m | 0.025m | 0.025m |
| Cover 3   | 0.000m | 0.000m | 0.000m |
| Cover 4   | 0.000m | 0.000m | 0.000m |

## Edge Excesses

|         | Luff   | Leech  | Foot   |
|---------|--------|--------|--------|
| Sail:   | 0.000m | 0.000m | 0.000m |
| Cover 0 | 0.070m | 0.100m | 0.070m |
| Cover 1 | 0.070m | 0.070m | 0.100m |
| Cover 2 | 0.000m | 0.070m | 0.070m |
| Cover 3 | 0.000m | 0.070m | 0.070m |

## Total Seam Lengths (m)

|                 |        |
|-----------------|--------|
| Horizontal      | 4.70   |
| Radial/Vertical | 136.69 |
| Bi-Radial Split | 9.14   |

## Materials

| Material   | Area (m <sup>2</sup> ) | Panels  |
|------------|------------------------|---|
| Material 1 | 30.67                  | 1\1,1\2,1\3,1\4,1\5<br>1\6,1\7,1\8,1\9,1\10<br>1\11,1\12,1b\1,1b\2,1b\3<br>1b\4,1b\5,1b\6,1b\7,1b\8<br>1b\9,1b\10,1b\11,1b\12,2\1<br>2\2,2\3,2\4,2\5,2b\1<br>2b\2,2b\3,2b\4,2b\5,3\1<br>3\2,3\3,3\4,3\5,3\6 |