

Mainsail: 7000913 Patrick First 41S5 MainsailV1.des

Design Info
=====

Design File:
\\NAS\Engineering files\Queenie-Customer Order\Fareast Sails\2023 Order\Need to be Confirmed\7000913 Patrick\70

Initial Design Date: 15/9/2023
Boat:

Comments:

Client:

Design Data
=====

Main

Measurements

Luff geodesic:	15.080m
Leech geodesic:	15.857m
Foot geodesic:	5.049m
Head geodesic:	0.190m
Upper width (MUW):	1.048m
Three-quarter width (MTW):	1.886m
Half width (MHW):	3.234m
Quarter width (MQW):	4.276m
Foot median:	15.430m
ORC Mainsail area:	45.312m?
Surface area:	46.547m?
Clew height:	0.100m
Mast rake:	0.000m

Battens

Position	Length	Roach	Angle	Luff	Leech	Full
80.000%	1.654m	0.346m	73.214?	12.055m	12.642m	Full
60.000%	2.811m	0.449m	73.214?	9.040m	9.481m	Full
40.000%	3.736m	0.396m	73.214?	6.025m	6.321m	Full
20.000%	4.470m	0.229m	73.214?	3.011m	3.160m	Full

Reefing Points

- 1, Luff: 1.884m ; Leech: 1.943m ; Offset: 0.000m ; Number Eyelets: 0
- 2, Luff: 3.844m ; Leech: 3.962m ; Offset: 0.000m ; Number Eyelets: 0
- 3, Luff: 6.407m ; Leech: 6.609m ; Offset: 0.000m ; Number Eyelets: 0

Draft Stripes

- 1, Luff: 3.769m ; Leech: 3.798m ;
- 2, Luff: 7.538m ; Leech: 7.721m ;
- 3, Luff: 11.307m ; Leech: 11.691m ;

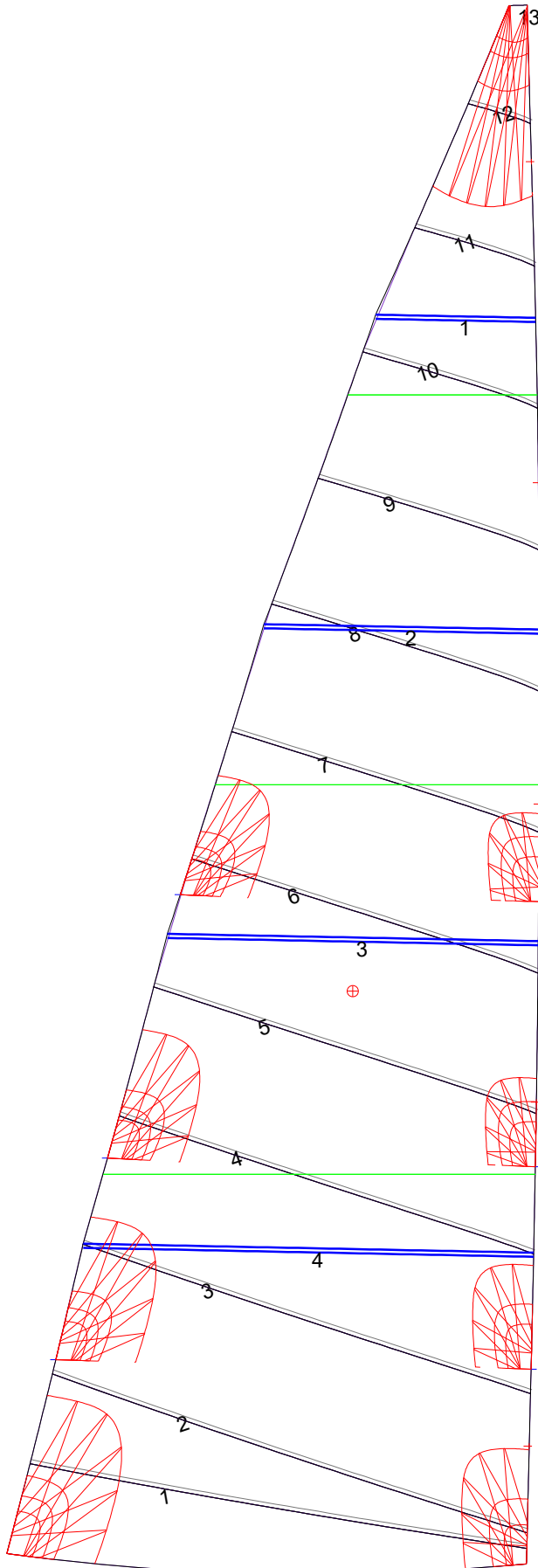
Luff Slides

- 1, Position: 1.140m
- 2, Position: 4.468m
- 3, Position: 7.353m
- 4, Position: 10.459m
- 5, Position: 13.565m

Luff Curve

		Fanned Luff (@ 5.00% [0.251m])	Before BSeam
15.079m,	0.000m	100% (15.080m) :	0.000m
11.309m,	-0.100m	90% (13.572m) :	0.073m
7.539m,	-0.120m	80% (12.064m) :	0.139m
3.770m,	-0.084m	70% (10.556m) :	0.183m
0.000m,	0.000m	60% (9.048m) :	0.205m
		50% (7.540m) :	0.208m
		40% (6.032m) :	0.198m
		30% (4.524m) :	0.172m
		20% (3.016m) :	0.128m
		10% (1.508m) :	0.065m
		0% (0.000m) :	0.000m

Mainsail: 7000913 Patrick First 41S5 MainsailV1.des



Seam Allowances			
Zone: 1	Split	Radial	Cross
	0.040m	0.040m	0.040m

Edge Excesses			
Sail:	Luff	Leech	Foot
	0.000m	0.000m	0.000m

Total Seam Lengths (m)

Horizontal	38.84
Radial/Vertical	0.00
Bi-Radial Split	0.00

Materials

Material	Area (m ²)	Panels
Material 1	46.55	1,2,3,4,5 6,7,8,9,10 11,12,13