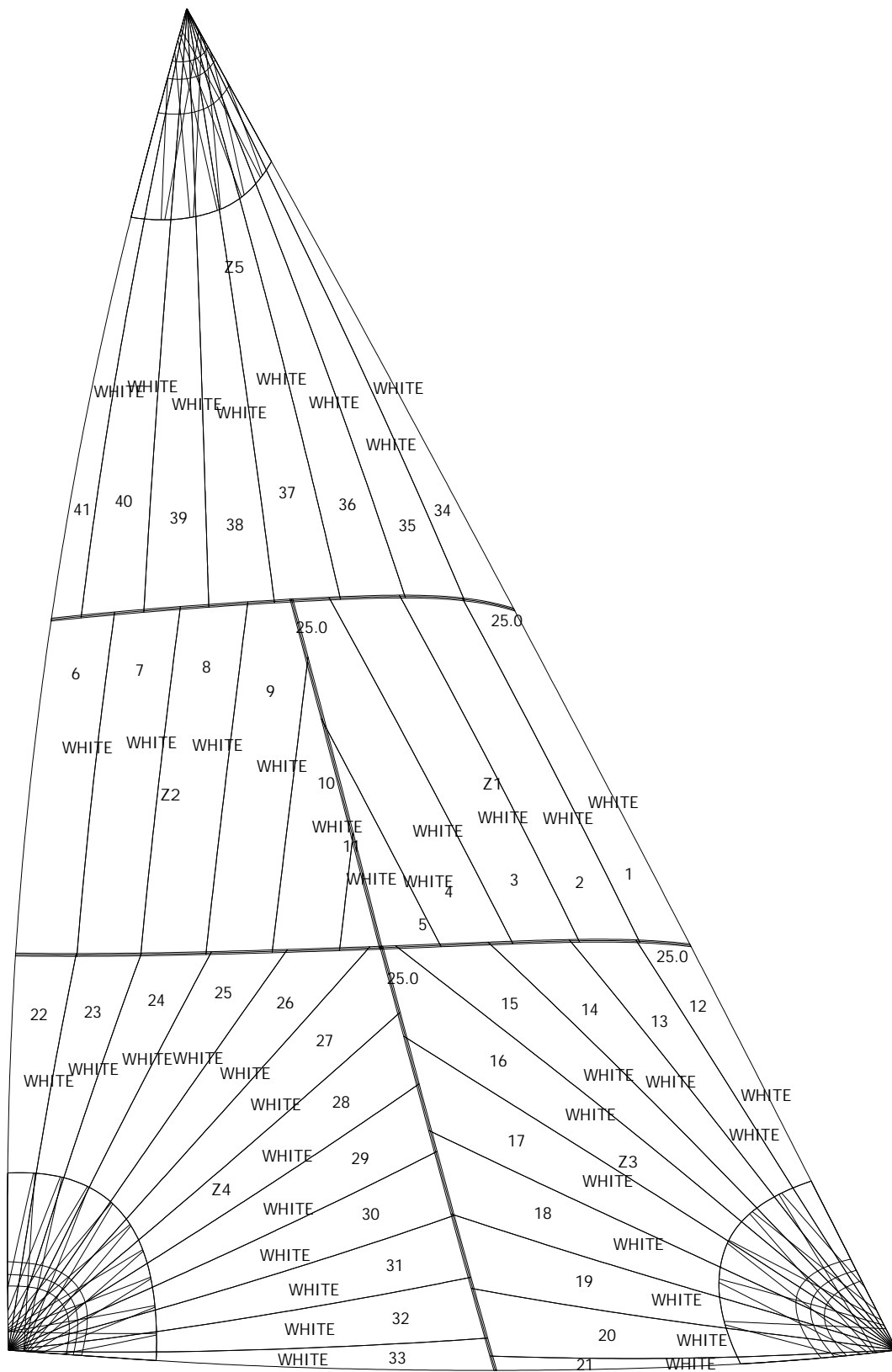




Date: 2012/1/19  
 Designer: Micahel  
 Company: Fareast Sails  
 Filename: 7000824 Attila code 0.pak

Sail:  
 Boat:  
 Customer:  
 Order Ref.:

# Panel layout



0 5m

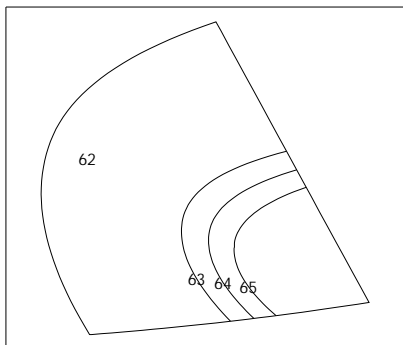




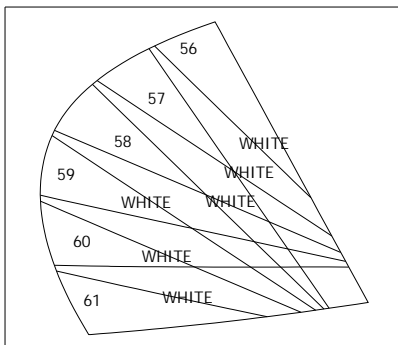
Date: 2012/1/19  
 Designer: Micahel  
 Company: Fareast Sails  
 Filename: 7000824 Attila code 0.pak

Sail:  
 Boat:  
 Customer:  
 Order Ref.:

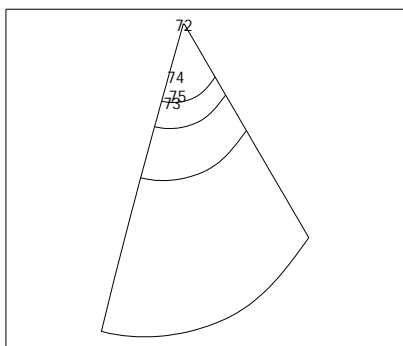
## Patch layout



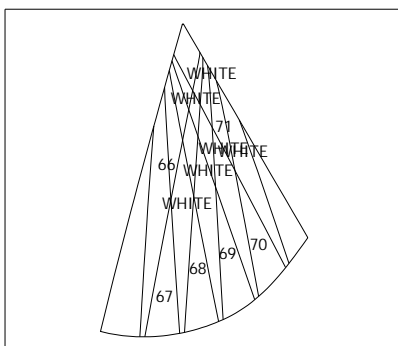
P9



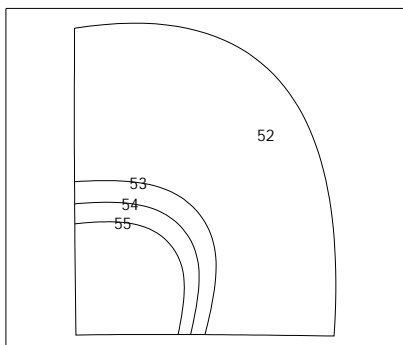
P8



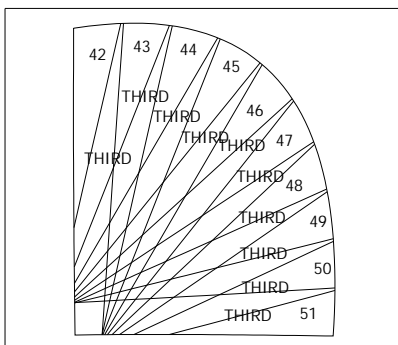
P11



P10



P7



P6





Date: 2012/1/19  
 Designer: Micahel  
 Company: Fareast Sails  
 Filename: 7000824 Attila code 0.pak

**Sail:**  
**Boat:**  
**Customer:**  
 Order Ref.:

## Measurement Check List

**Measurement rules Ref.: Spi IRC**

**Area = 56.183 m<sup>2</sup> [SHW] = 4.831 m [SF] = 7.967 m [Luff] = 13.326 m [Leech] = 12.131 m SPA = 57.67 [SMW] = 7.967 m**

**Angles (Flat on the floor) Clew: 90.29 ; ª Tack: 69.94 ; ª Head : 47.98 ; ª**

**Roach (After broadseaming)**

	1/8	2/8	3/8	4/8	5/8	6/8	7/8
Luff	-70.3 mm	-120.5 mm	-149.8 mm	-158.7 mm	-148.9 mm	-117.3 mm	-65.1 mm
Leech	71.6 mm	122.1 mm	152.4 mm	164.5 mm	159.8 mm	134.7 mm	78.8 mm

**Reef, Battens, Shape stripes**

**Area & Weight**

Sail area: **56.18 m<sup>2</sup>** Reefed: **No reef**  
Material area: **76.74 m<sup>2</sup>** Material weight: **???** Total weight: **???**

**Materials**

Material's ID	Material's ref. (&color)	Area (m <sup>2</sup> )	Mass (gr)	Panels
	Default	8.344		52-55 62-65 72-75
THIRD	NYLITE FLO YELLOW	3.883		42-51
WHITE	Default	64.515		1-41 56-61 66-71

**Seam width**

Seam width (mm)	Zones; Total length (m)
25.0	Zone-seams: 1...4; TOTAL: 17.9m
13.0	Zones: Z1...Z5; TOTAL: 153.8m

**Sail outline finishings**

Hemmings: **None**

Outline drawings: **None**

**Notes**

