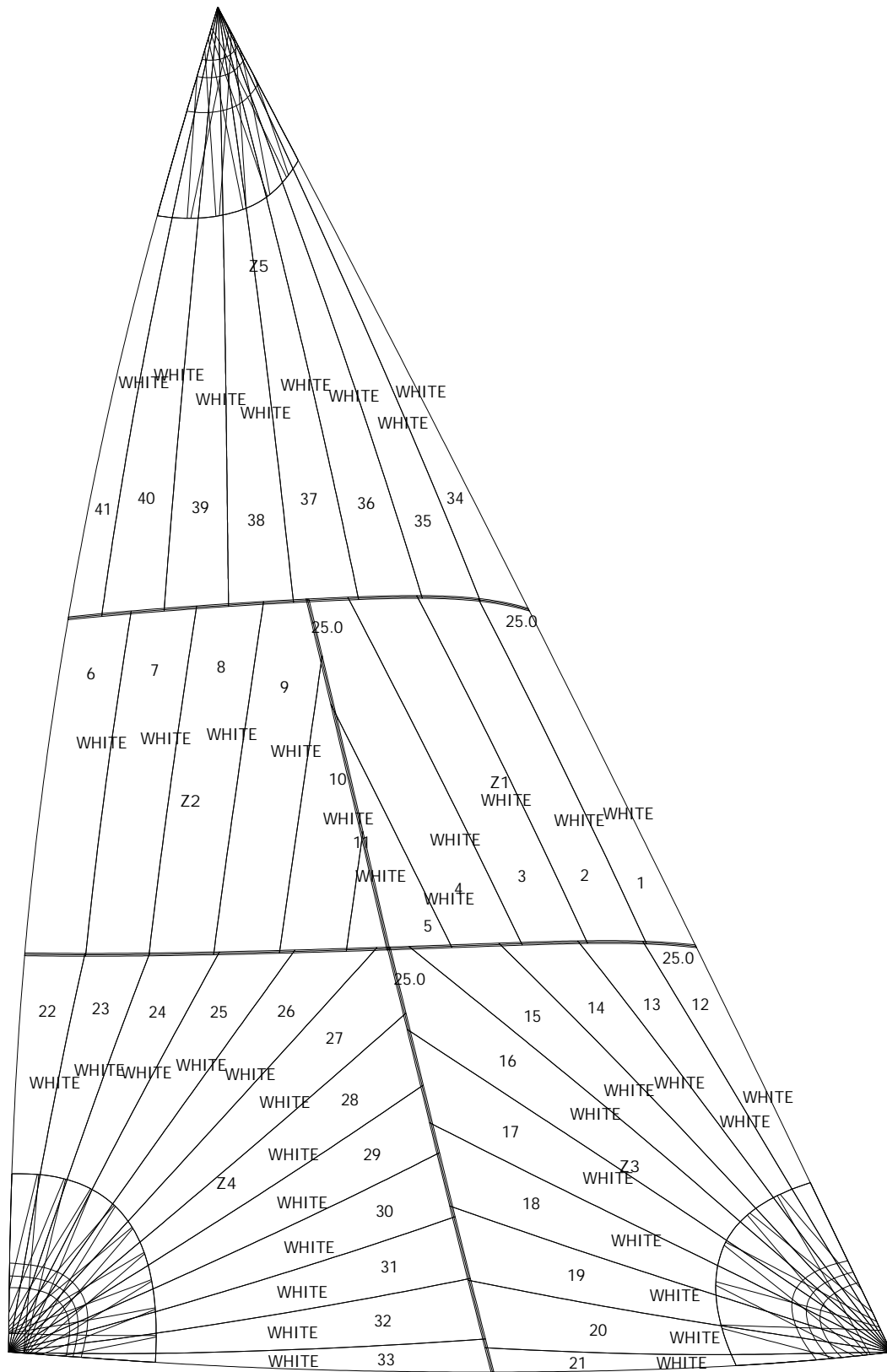




Date: 2012/1/19
 Designer: bifa
 Company: FAREAST SAUKS
 Filename: 7000824 Attila code 0.pak

Sail:
 Boat:
 Customer:
 Order Ref.:

Panel layout

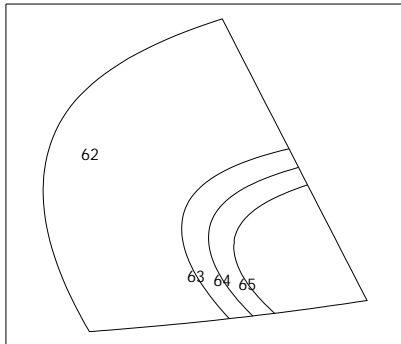




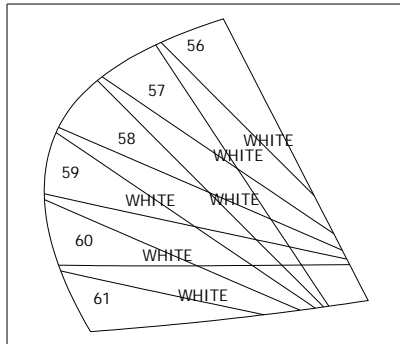
Date: 2012/1/19
Designer: bifa
Company: FAREAST SAUKS
Filename: 7000824 Attila code 0.pak

Sail:
Boat:
Customer:
Order Ref.:

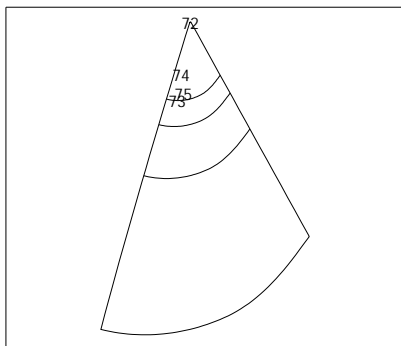
Patch layout



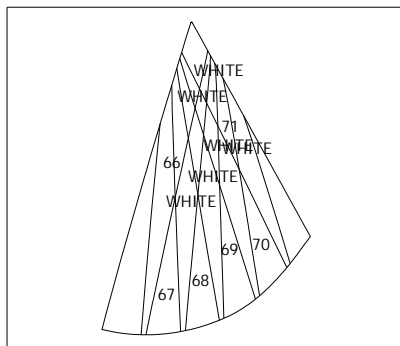
P9



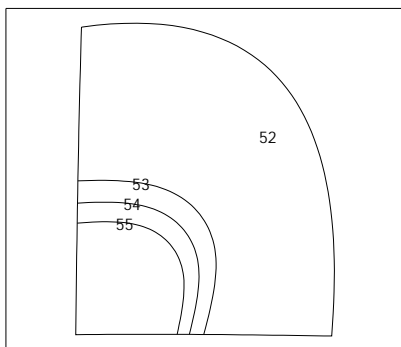
P8



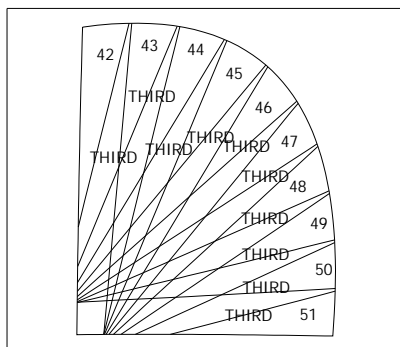
P11



P10



P7



P6



Date: 2012/1/19
 Designer: bifa
 Company: FAREAST SAUKS
 Filename: 7000824 Attila code 0.pak

Sail:
 Boat:
 Customer:
 Order Ref.:

Measurement Check List

Measurement rules Ref.: Spi IRC

Area = 57.142 m² [SHW] = 4.856 m [SF] = 8.001 m [Luff] = 13.350 m [Leech] = 12.333 m SPA = 58.46 [SMW] = 8.001 m

Angles (Flat on the floor) Clew: 89.10 j ª Tack: 71.08 j ª Head : 47.85 j ª

Roach (After broadseaming)

	1/8	2/8	3/8	4/8	5/8	6/8	7/8
Luff	-70.0 mm	-120.0 mm	-149.2 mm	-158.0 mm	-148.2 mm	-116.8 mm	-64.8 mm
Leech	73.3 mm	124.5 mm	154.7 mm	166.3 mm	160.8 mm	135.1 mm	78.9 mm

Reef, Battens, Shape stripes

Area & Weight

Sail area: 57.14 m² Reefed: No reef
 Material area: 78.02 m² Material weight: ??? Total weight: ???

Materials

Material's ID	Material's ref. (&color)	Area (m ²)	Mass (gr)	Panels
	Default	8.479		52-55 62-65 72-75
THIRD	NYLITE FLO YELLOW	3.932		42-51
WHITE	Default	65.605		1-41 56-61 66-71

Seam width

Seam width (mm)	Zones; Total length (m)
25.0	Zone-seams: 1...4; TOTAL: 18.0m
13.0	Zones: Z1...Z5; TOTAL: 155.4m

Sail outline finishings

Hemmings: None

Outline drawings: None

Notes

