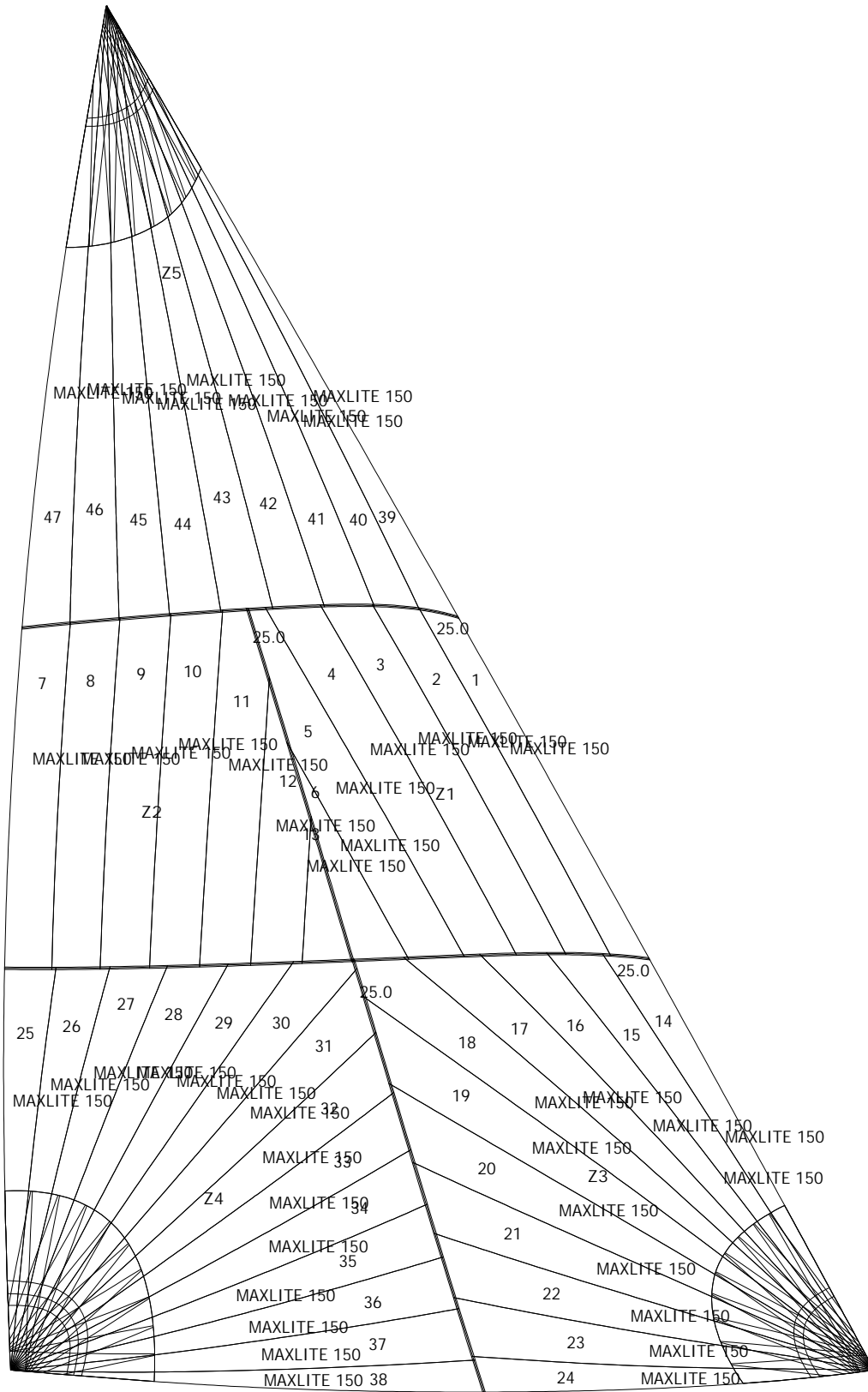




Date: 2023/8/20  
 Designer: Michael  
 Company: Fareast Sails  
 Filename: 7000817 Lee code zero.pak

Sail: Code Zero  
 Boat: Jeanneau SO 409  
 Customer:  
 Order Ref.: 7000817 Lee

# Panel layout



0 5m

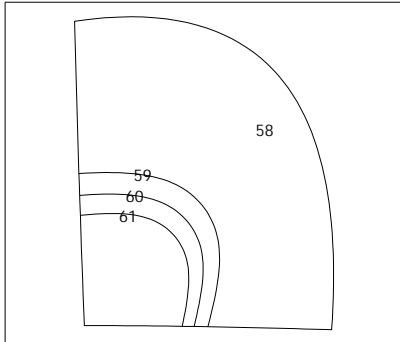




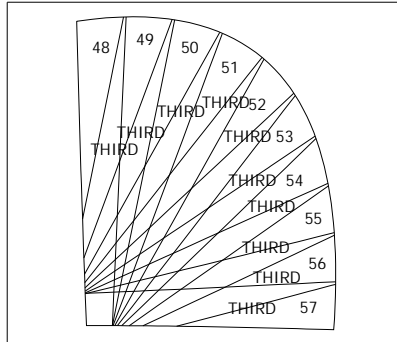
Date: 2023/8/20  
 Designer: Michael  
 Company: Fareast Sails  
 Filename: 7000817 Lee code zero.pak

Sail: Code Zero  
 Boat: Jeanneau SO 409  
 Customer:  
 Order Ref.: 7000817 Lee

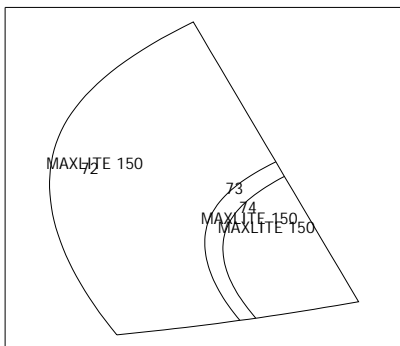
## Patch layout



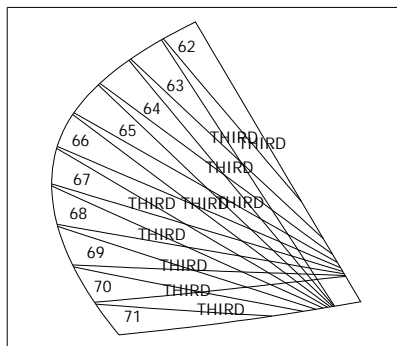
P7



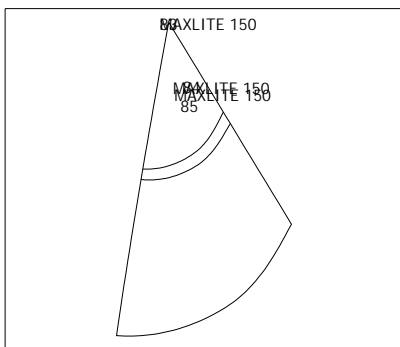
P6



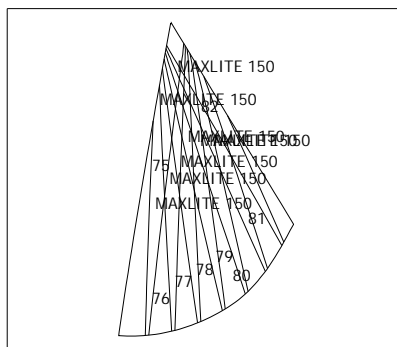
P9



P8



P11



P10



Date: 2023/8/20  
 Designer: Michael  
 Company: Fareast Sails  
 Filename: 7000817 Lee code zero.pak

Sail: Code Zero  
 Boat: Jeanneau SO 409  
 Customer:  
 Order Ref.: 7000817 Lee

## Measurement Check List

### Measurement rules Ref.: SPI IRC

Area = 75.993 m<sup>2</sup> [SHW] = 5.394 m [SF] = 9.148 m [Luff] = 16.251 m [Leech] = 14.428 m SPA = 78.23 [SMW] = 9.148 m

Angles (Flat on the floor) Clew: 92.47 ° Tack: 69.10 ° Head: 43.39 °

### Roach (After broadseaming)

	1/8	2/8	3/8	4/8	5/8	6/8	7/8
Luff	-88.5 mm	-152.6 mm	-190.0 mm	-201.4 mm	-188.9 mm	-149.1 mm	-82.9 mm
Leech	36.7 mm	60.6 mm	75.8 mm	84.6 mm	86.6 mm	78.9 mm	49.0 mm

### Reef, Battens, Shape stripes

#### Area & Weight

Sail area: 75.99 m<sup>2</sup> Reefed: No reef  
 Material area: 103.90 m<sup>2</sup> Material weight: ??? Total weight: ???

### Materials

Material's ID	Material's ref. (&color)	Area (m <sup>2</sup> )	Mass (gr)	Panels
	Default	4.503		58-61
MAXLITE 15	Default	89.665		1-47 72-85
THIRD	NYLITE FLO YELLOW	9.730		48-57 62-71

### Seam width

Seam width (mm)	Zones; Total length (m)
25.0	Zone-seams: 1...4; TOTAL: 20.7m
13.0	Zones: Z1...Z5; TOTAL: 212.5m

### Sail outline finishings

Hemmings: None  
 Outline drawings: None

### Notes

11mm antirope on luff, luff need duduct 10cm thimble

