

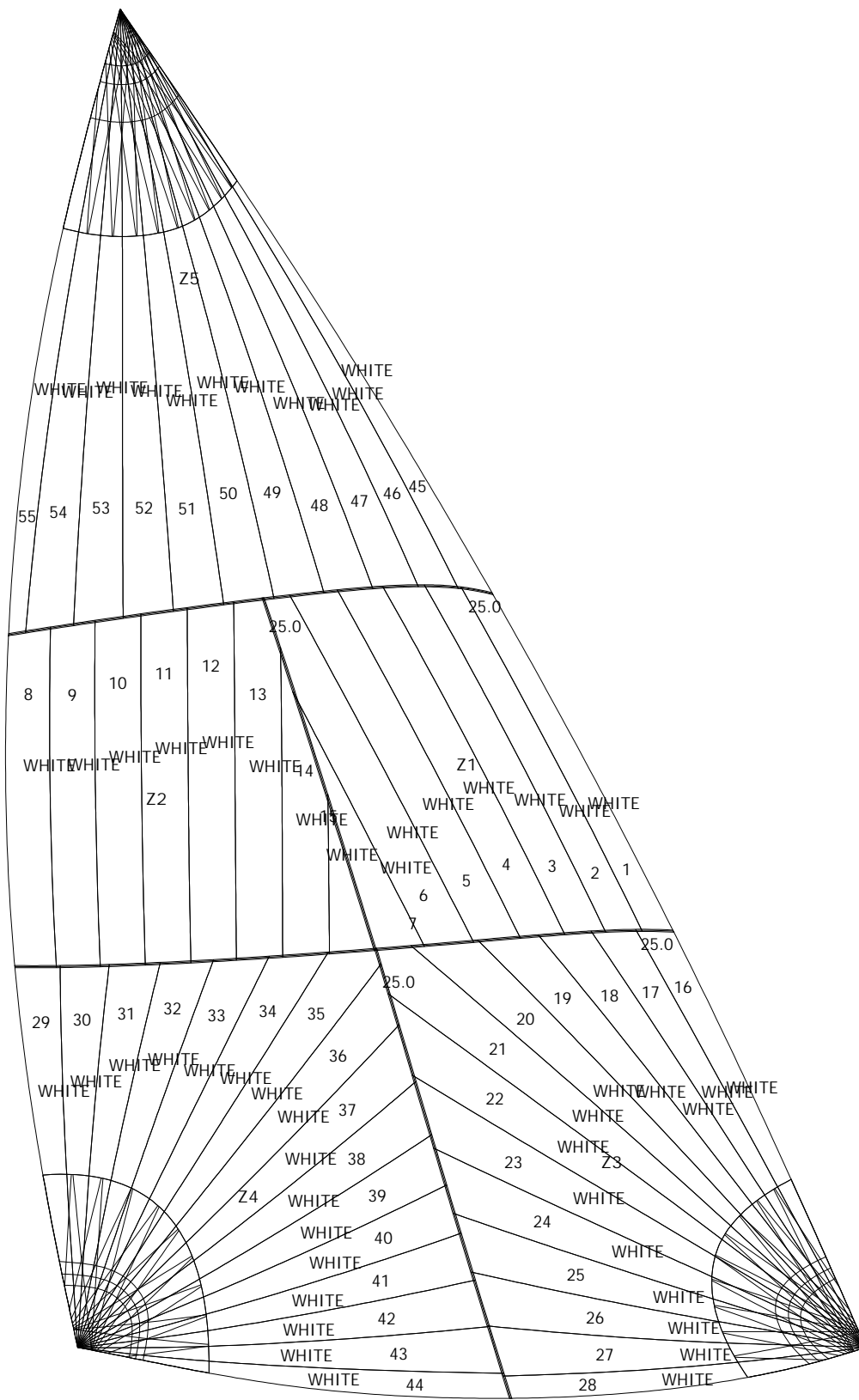


Date: 2012/1/19
 Designer: Michael
 Company: Fareast Sails

Sail: Code Zero
 Boat: Pajot 41
 Customer:
 Order Ref.: 7000802 Jeffrey

Filename: 7000802 Jeffrey code zero -Pajot 41 pak

Panel layout

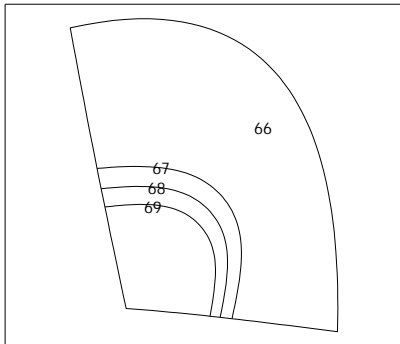




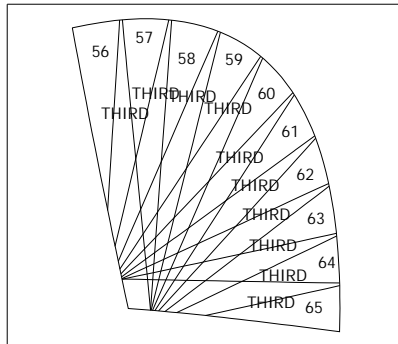
Date: 2012/1/19
 Designer: Michael
 Company: Fareast Sails
 Filename: 7000802 Jeffrey code zero -Pajot 41 pak

Sail: Code Zero
 Boat: Pajot 41
 Customer:
 Order Ref.: 7000802 Jeffrey

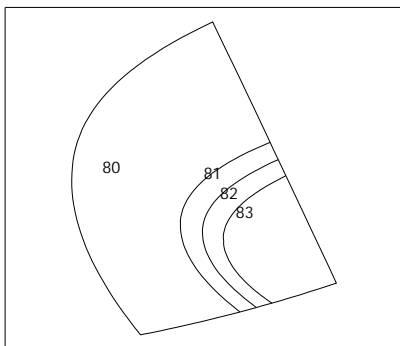
Patch layout



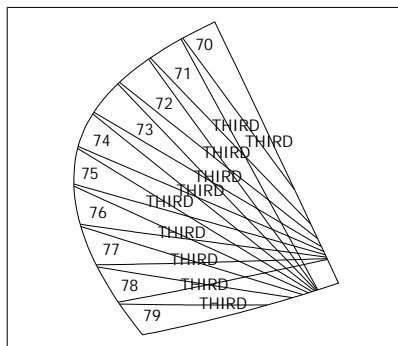
P7



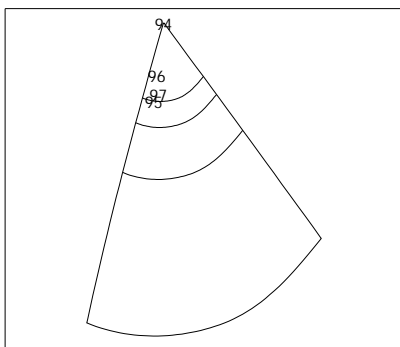
P6



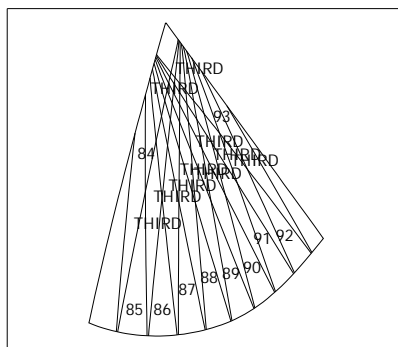
P9



P8



P11



P10



Date: 2012/1/19

Designer: Michael

Company: Fareast Sails

Filename: 7000802 Jeffrey code zero -Pajot 41 pak

Sail: Code Zero

Boat: Pajot 41

Customer:

Order Ref.: 7000802 Jeffrey

Measurement Check List

Measurement rules Ref.: SPI IRC

Area = 96.540 m² [SHW] = 6.492 m [SF] = 9.100 m [Luff] = 17.380 m [Leech] = 15.774 m SPA = 96.50 [SMW] = 9.100 m

Angles (Flat on the floor) Clew: 106.96 ° Tack: 82.40 ° Head: 54.29 °

Roach (After broadseaming)

	1/8	2/8	3/8	4/8	5/8	6/8	7/8
Luff	1.6 mm	5.8 mm	4.3 mm	1.3 mm	-0.4 mm	0.3 mm	1.5 mm
Leech	242.2 mm	424.1 mm	538.5 mm	584.6 mm	563.3 mm	462.1 mm	264.3 mm

Reef, Battens, Shape stripes

Area & Weight

Sail area: 96.54 m² Reefed: No reef

Material area: 134.08 m² Material weight: ??? Total weight: ???

Materials

Material's ID	Material's ref. (&color)	Area (m ²)	Mass (gr)	Panels
	Default	14.830		66-69 80-83 94-97
THIRD	NYLITE FLO YELLOW	18.691		56-65 70-79 84-93
WHITE	Default	100.55		1-55

Seam width

Seam width (mm)	Zones; Total length (m)
25.0	Zone-seams: 1...4; TOTAL: 23.8m
13.0	Zones: Z1...Z5; TOTAL: 267.5m

Sail outline finishings

Hemmings: None

Outline drawings: None

Notes

