

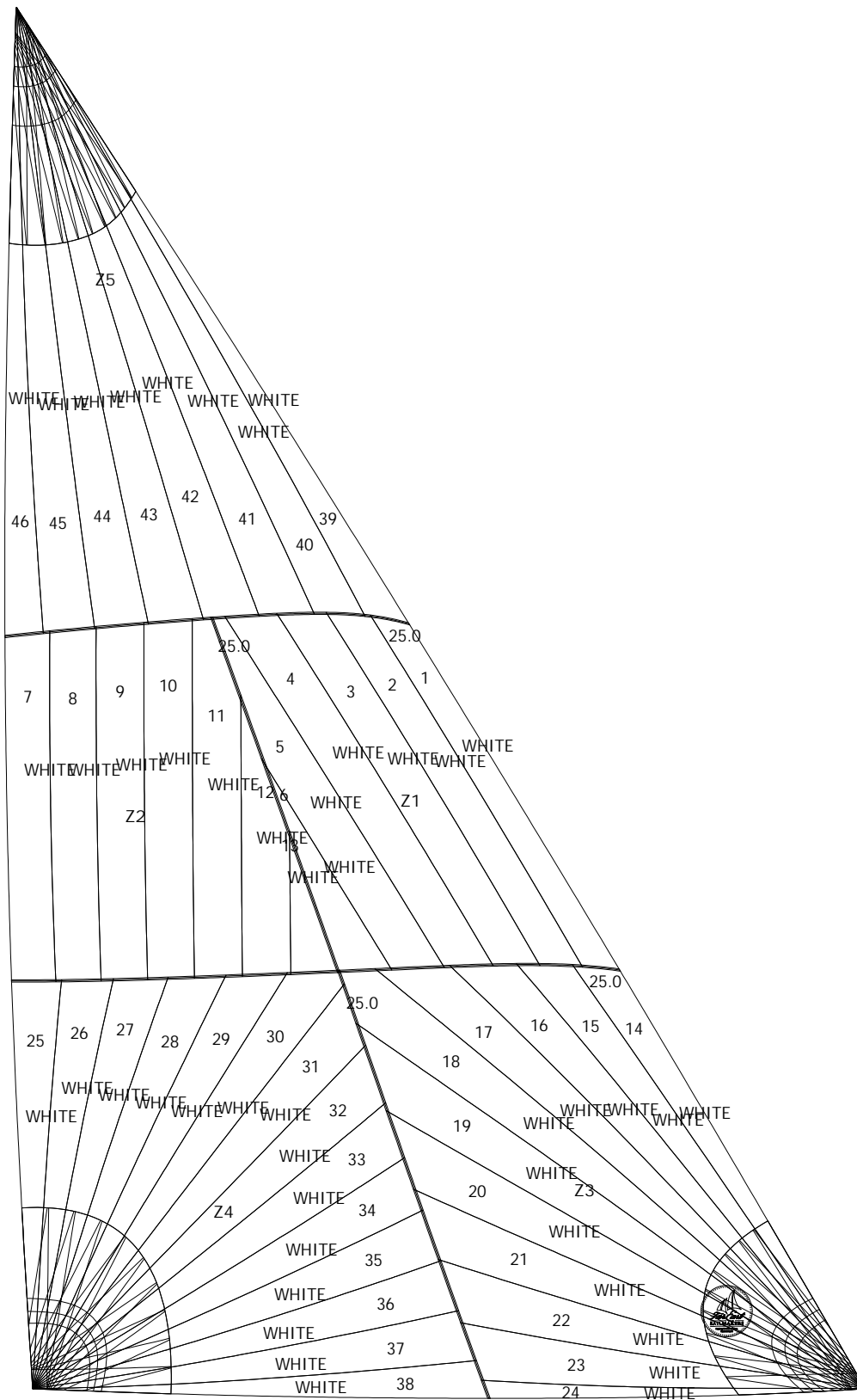


Date: 2012/1/19
 Designer: Micahel
 Company: Fareast Sails

Sail: Code Zero
 Boat: Pajot 41
 Customer:
 Order Ref.: 7000802 Jeffrey

Filename: 7000802 Jeffrey code zero -Pajot 41 pak

Panel layout



0 5m

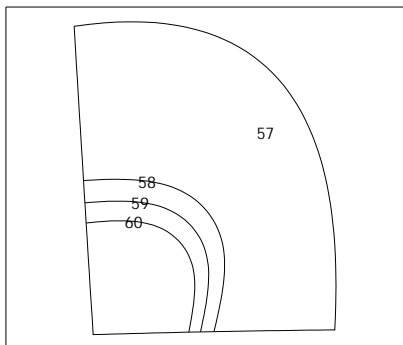




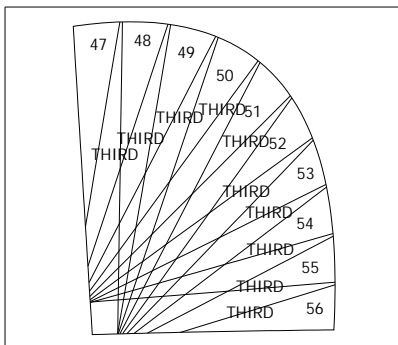
Date: 2012/1/19
 Designer: Micahel
 Company: Fareast Sails
 Filename: 7000802 Jeffrey code zero -Pajot 41 pak

Sail: Code Zero
 Boat: Pajot 41
 Customer:
 Order Ref.: 7000802 Jeffrey

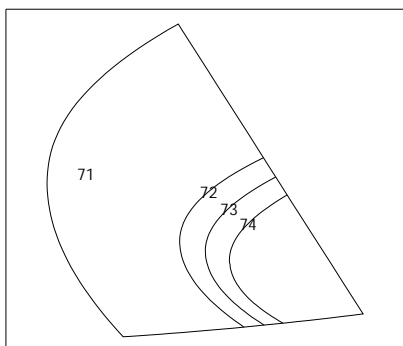
Patch layout



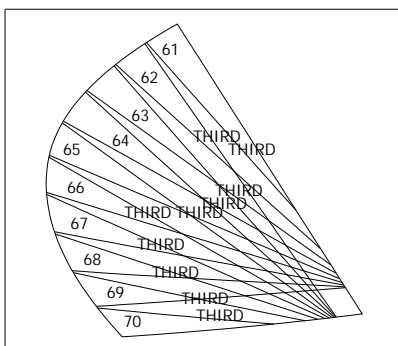
P7



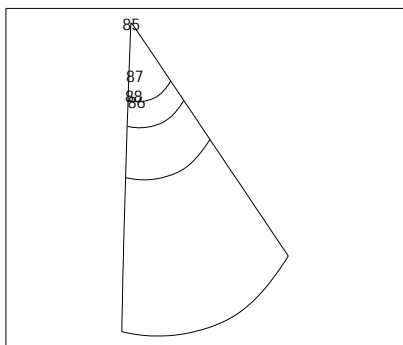
P6



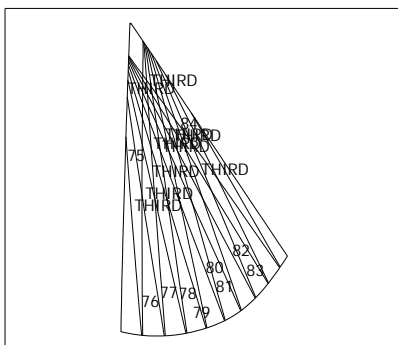
P9



P8



P11



P10





Date: 2012/1/19
 Designer: Micahel
 Company: Fareast Sails
 Filename: 7000802 Jeffrey code zero -Pajot 41 pak

Sail: Code Zero
 Boat: Pajot 41
 Customer:
 Order Ref.: 7000802 Jeffrey

Measurement Check List

Measurement rules Ref.: SPI IRC

Area = 76.171 m² [SHW] = 5.165 m [SF] = 9.104 m [Luff] = 17.350 m [Leech] = 14.922 m SPA = 79.72 [SMW] = 9.104 m

Angles (Flat on the floor) Clew: 92.07 i ª Tack: 64.40 i ª Head : 37.75 i ª

Roach (After broadseaming)

	1/8	2/8	3/8	4/8	5/8	6/8	7/8
Luff	-73.3 mm	-126.9 mm	-158.5 mm	-168.1 mm	-157.2 mm	-123.4 mm	-68.4 mm
Leech	-41.9 mm	-78.7 mm	-101.1 mm	-106.6 mm	-96.3 mm	-70.1 mm	-35.6 mm

Reef, Battens, Shape stripes

Area & Weight

Sail area: 76.17 m² Reefed: No reef

Material area: 105.31 m² Material weight: ??? Total weight: ???

Materials

Material's ID	Material's ref. (&color)	Area (m ²)	Mass (gr)	Panels
	Default	11.462		57-60 71-74 85-88
THIRD	NYLITE FLO YELLOW	14.502		47-56 61-70 75-84
WHITE	Default	79.346		1-46

Seam width

Seam width (mm)	Zones; Total length (m)
25.0	Zone-seams: 1...4; TOTAL: 20.6m
13.0	Zones: Z1...Z5; TOTAL: 211.6m

Sail outline finishings

Hemmings: None

Outline drawings: None

Notes