

Genoa: 7000723 Matthew-2 HeadsailV1.des

Design Info
 =====

Design File:
 \\NAS\Engineering files\Queenie-Customer Order\Fareast Sails\2023 Order\Need Confrim Order\7000723 Matthew7000

Initial Design Date: 3/8/2023
 Boat:

Comments:

Client:

Design Data
 =====

Genoa

Measurements

Luff geodesic:	337.60In
Leech geodesic:	285.47In
Foot geodesic:	147.68In
Headboard width:	1.18In
Luff perpendicular (HLP):	125.32In
Upper width (HUW):	14.32In
Three-quarter width (HTW):	28.06In
Half width (HHW):	57.90In
Quarter width (HQW):	90.70In
Foot median:	307.79In
ORC Headsail area:	141.193Ft?
IRC Headsail area:	140.889Ft?
Surface area:	143.232Ft?
Forestay height:	359.84In
J:	131.89In

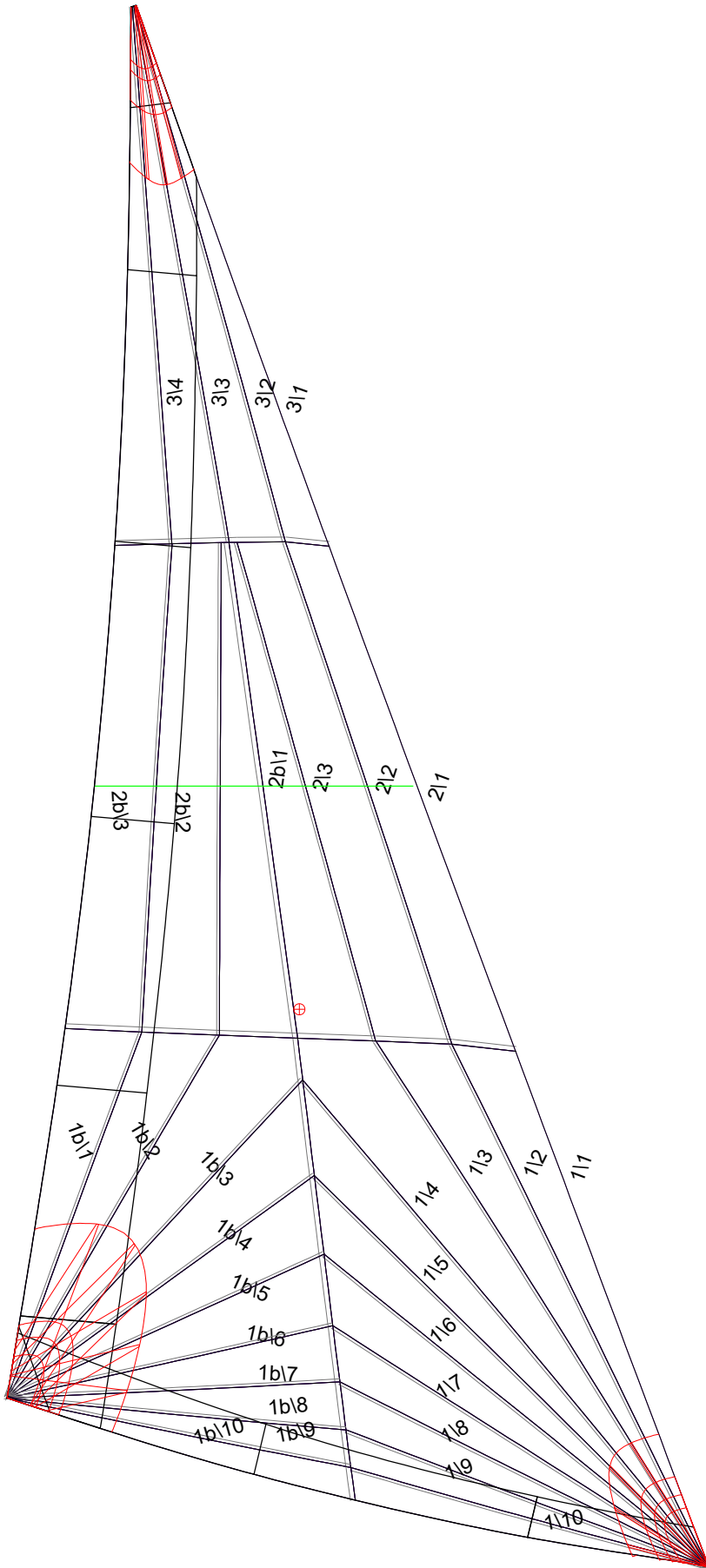
Draft Stripes

1, Luff: 169.44In ; Leech: 125.96In ;

Luff Curve

		Fanned Luff (@ 5.00% [7.12In])	Before BSeam
337.56In,	0.00In	100% (337.56In) :	0.00In
309.51In,	0.85In	90% (303.83In) :	0.10In
278.48In,	1.54In	80% (270.06In) :	0.30In
251.17In,	1.89In	70% (236.31In) :	0.62In
219.42In,	2.02In	60% (202.55In) :	0.97In
167.98In,	1.78In	50% (168.79In) :	1.28In
109.71In,	1.21In	40% (135.03In) :	1.45In
57.06In,	0.60In	30% (101.27In) :	1.44In
0.00In,	0.00In	20% (67.52In) :	1.23In
		10% (33.73In) :	0.80In
		0% (0.00In) :	0.00In

Genoa: 7000723 Matthew-2 HeadsailV1.des



Seam Allowances

	Split	Radial	Cross
Zone: 1/a	0.984In	0.591In	0.984In
Zone: 1/b	0.984In	0.591In	0.984In
Zone: 2/a	0.984In	0.591In	0.984In
Zone: 2/b	0.984In	0.591In	0.984In
Zone: 3	0.984In	0.591In	0.984In
Cover 1	0.984In	0.984In	0.984In
Cover 2	0.984In	0.984In	0.984In
Cover 3	0.000In	0.000In	0.000In
Cover 4	0.000In	0.000In	0.000In

Edge Excesses

	Luff	Leech	Foot
Sail:	0.000In	0.000In	0.000In
Cover 0	2.756In	3.937In	2.756In
Cover 1	2.756In	2.756In	3.937In
Cover 2	0.000In	0.000In	0.000In
Cover 3	0.000In	0.000In	0.000In

Total Seam Lengths (In)

Horizontal	141.92
Radial/Vertical	2362.03
Bi-Radial Split	204.23

Materials

Material	Area (Ft ²)	Panels
Material 1	143.11	1\1,1\2,1\3,1\4,1\5 1\6,1\7,1\8,1\9,1\10 1b\1,1b\2,1b\3,1b\4,1b\5 1b\6,1b\7,1b\8,1b\9,1b\10 2\1,2\2,2\3,2b\1,2b\2 2b\3,3\1,3\2,3\3,3\4