

Mainsail: 7000704 Jackson-1 Leopard 42 Mainsail.des

Design Info
=====

Design File:
\\NAS\Engineering files\Queenie-Customer Order\Fareast Sails\2023 Order\Need Confrim Order\7000704 Jackson\7000704

Initial Design Date: 12/7/2023
Boat:

Comments:
tack angle 87 degree/ clew upper around 30cm from boom level

Client:

Design Data
=====

Main

Measurements

Luff geodesic:	15.112m
Leech geodesic:	15.952m
Foot geodesic:	5.858m
Head geodesic:	0.200m
Upper width (MUW):	1.760m
Three-quarter width (MTW):	3.013m
Half width (MHW):	4.418m
Quarter width (MQW):	5.208m
Foot median:	15.476m
ORC Mainsail area:	59.482m?
Surface area:	62.827m?
Clew height:	-1.351m
Mast rake:	0.000m

Battens

Position	Length	Roach	Angle	Luff	Leech	Full
90.094%	1.957m	1.093m	74.104?	13.574m	14.269m	Full
79.051%	3.061m	1.464m	72.112?	11.934m	12.520m	Full
66.200%	3.861m	1.474m	72.112?	9.993m	10.484m	Full
52.346%	4.447m	1.271m	72.112?	7.902m	8.290m	Full
36.685%	4.934m	0.920m	72.112?	5.539m	5.810m	Full
19.015%	5.401m	0.486m	72.112?	2.873m	3.012m	Full

Reefing Points

1, Luff: 2.039m ; Leech: 2.075m ; Offset: 0.000m ; Number Eyelets: 4
2, Luff: 4.153m ; Leech: 4.224m ; Offset: 0.000m ; Number Eyelets: 4

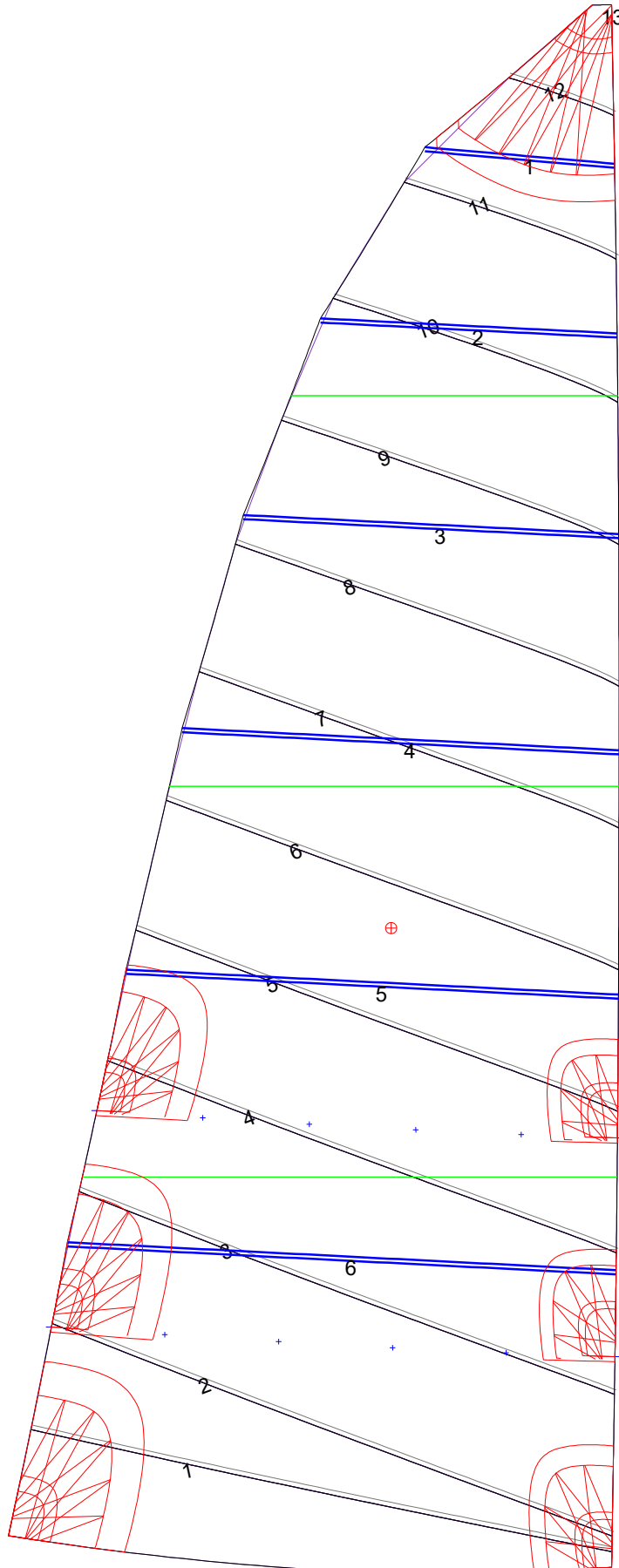
Draft Stripes

1, Luff: 3.775m ; Leech: 3.564m ;
2, Luff: 7.552m ; Leech: 7.445m ;
3, Luff: 11.331m ; Leech: 11.387m ;

Luff Curve

		Fanned Luff (@ 5.00% [0.292m])	Before BSeam
15.111m,	0.000m	100% (15.112m) :	0.000m
13.228m,	-0.035m	90% (13.601m) :	0.069m
11.334m,	-0.060m	80% (12.089m) :	0.132m
9.434m,	-0.071m	70% (10.579m) :	0.173m
7.556m,	-0.072m	60% (9.067m) :	0.184m
5.631m,	-0.066m	50% (7.556m) :	0.176m
3.778m,	-0.053m	40% (6.045m) :	0.154m
1.883m,	-0.030m	30% (4.534m) :	0.121m
0.000m,	0.000m	20% (3.022m) :	0.081m
		10% (1.511m) :	0.037m
		0% (0.000m) :	0.000m

Mainsail: 7000704 Jackson-1 Leopard 42 Mainsail.des



Seam Allowances			
Zone:	Split	Radial	Cross
1	0.046m	0.046m	0.046m

Edge Excesses			
Sail:	Luff	Leech	Foot
	0.000m	0.000m	0.000m

Total Seam Lengths (m)

Horizontal	51.46
Radial/Vertical	0.00
Bi-Radial Split	0.00

Materials

Material	Area (m ²)	Panels
Material 1	62.79	1,2,3,4,5 6,7,8,9,10 11,12,13