

Mainsail: 7000615 Craig-1 Mainsail.des

Design Info
=====

Design File:
\\NAS\Engineering files\Queenie-Customer Order\Fareast Sails\2023 Order\Need Confrim Order\7000615 Craig\70006

Initial Design Date: 25/6/2023
Boat:

Comments:

Client:

Design Data
=====

Main

Measurements

Luff geodesic:	7.712m
Leech geodesic:	8.083m
Foot geodesic:	2.673m
Head geodesic:	0.115m
Upper width (MUW):	0.563m
Three-quarter width (MTW):	0.999m
Half width (MHW):	1.707m
Quarter width (MQW):	2.242m
Foot median:	7.894m
ORC Mainsail area:	12.232m?
Surface area:	12.572m?
Clew height:	0.100m
Mast rake:	0.000m

Battens

Position	Length	Roach	Angle	Luff	Leech	Full
82.000%	0.819m	0.185m	71.549?	6.335m	6.604m	Full
62.000%	1.436m	0.241m	71.549?	4.807m	4.993m	Full
41.500%	1.935m	0.212m	71.549?	3.241m	3.342m	Full
21.000%	2.328m	0.123m	71.549?	1.674m	1.691m	Full

Reefing Points

1, Luff: 1.157m ; Leech: 1.195m ; Offset: 0.000m ; Number Eyelets: 2

Draft Stripes

1, Luff: 2.545m ; Leech: 2.572m ;
2, Luff: 5.090m ; Leech: 5.237m ;

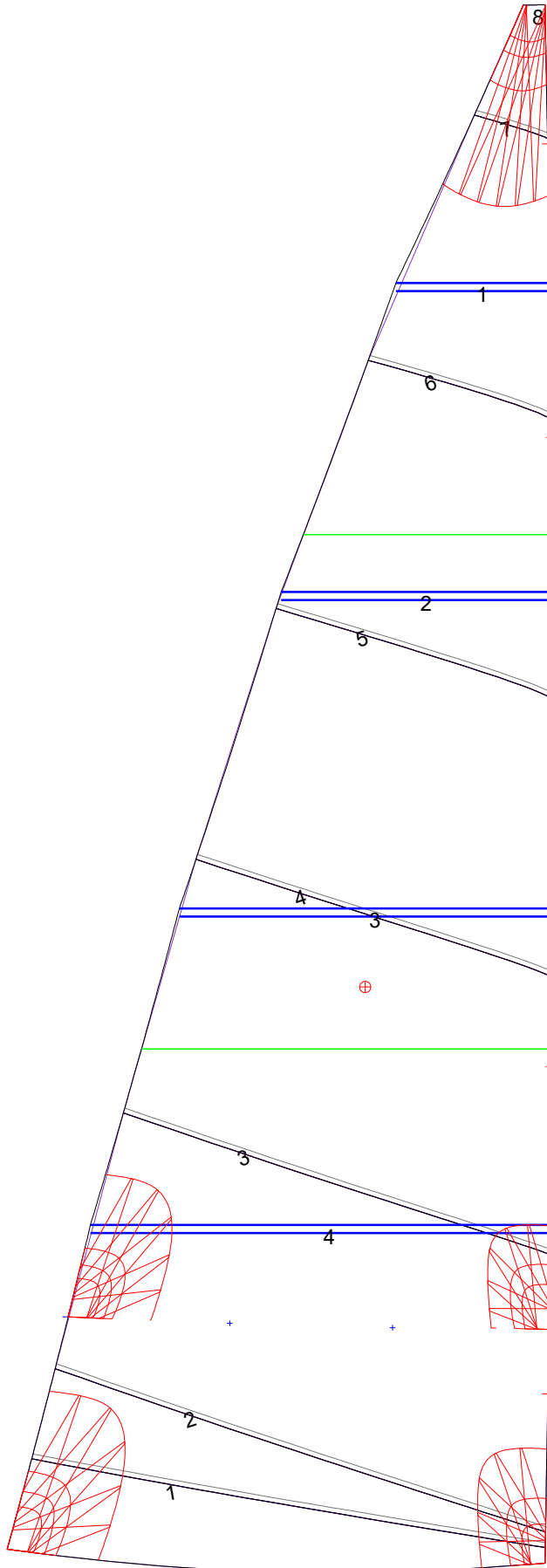
Luff Slides

1, Position: 0.837m
2, Position: 2.457m
3, Position: 4.024m
4, Position: 5.571m
5, Position: 7.023m

Luff Curve

		Fanned Luff (@ 5.00% [0.133m])	Before BSeam
7.712m,	0.000m	100% (7.712m) :	0.000m
6.751m,	-0.018m	90% (6.941m) :	0.010m
5.784m,	-0.031m	80% (6.170m) :	0.019m
4.814m,	-0.036m	70% (5.398m) :	0.024m
3.856m,	-0.037m	60% (4.627m) :	0.025m
2.873m,	-0.034m	50% (3.856m) :	0.025m
1.928m,	-0.027m	40% (3.085m) :	0.023m
0.961m,	-0.016m	30% (2.314m) :	0.019m
0.000m,	0.000m	20% (1.542m) :	0.014m
		10% (0.771m) :	0.007m
		0% (0.000m) :	0.000m

Mainsail: 7000615 Craig-1 Mainsail.des



Seam Allowances			
Zone: 1	Split	Radial	Cross
	0.025m	0.025m	0.025m

Edge Excesses			
Sail:	Luff	Leech	Foot
	0.000m	0.000m	0.000m

Total Seam Lengths (m)

Horizontal	12.34
Radial/Vertical	0.00
Bi-Radial Split	0.00

Materials

Material	Area (m ²)	Panels
Material 1	12.55	1,2,3,4,5 6,7,8