

Mainsail: 7000610 Olivier Mainsail.des

Design Info
=====

Design File:
\\NAS\Engineering files\Queenie-Customer Order\Fareast Sails\2023 Order\Need Confrim Order\7000610 Olivier\7000

Initial Design Date: 9/8/2023
Boat:

Comments:

Client:

Design Data
=====

Main

Measurements

Luff geodesic: 451.46In
 Leech geodesic: 470.23In
 Foot geodesic: 144.53In
 Head geodesic: 4.53In
 Upper width (MUW): 28.93In
 Three-quarter width (MTW): 52.52In
 Half width (MHW): 91.70In
 Quarter width (MQW): 121.14In
 Foot median: 460.68In
 ORC Mainsail area: 266.546Ft?
 Surface area: 273.000Ft?
 Clew height: 3.94In
 Mast rake: 0.00In

Battens

Position	Length	Roach	Angle	Luff	Leech	Full
82.000%	41.80In	9.11In	74.252?	369.96In	384.43In	Full
62.000%	76.39In	12.96In	74.252?	279.66In	290.66In	Full
42.000%	103.29In	11.62In	74.252?	189.38In	196.90In	Full
22.000%	124.74In	7.18In	74.252?	99.12In	103.14In	Full

Reefing Points

1, Luff: 56.41In ; Leech: 57.99In ; Offset: 0.00In ; Number Eyelets: 0
 2, Luff: 112.83In ; Leech: 115.85In ; Offset: 0.00In ; Number Eyelets: 0
 3, Luff: 176.02In ; Leech: 180.86In ; Offset: 0.00In ; Number Eyelets: 0

Draft Stripes

1, Luff: 148.94In ; Leech: 150.09In ;
 2, Luff: 297.90In ; Leech: 305.31In ;

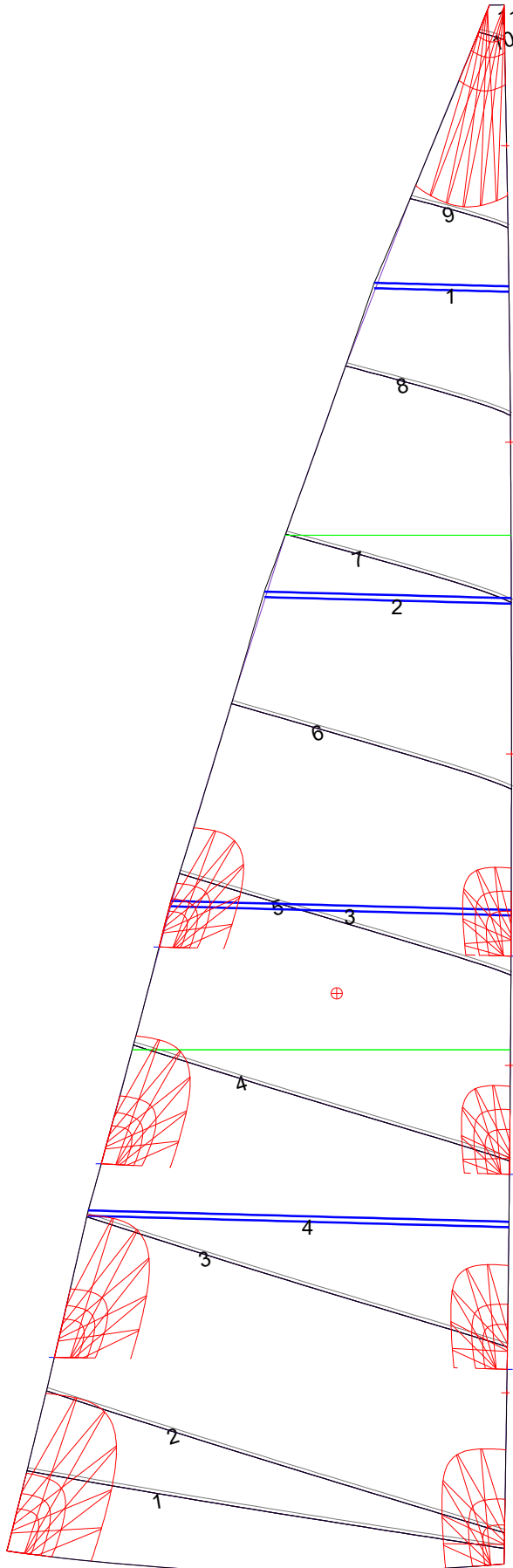
Luff Slides

1, Position: 49.62In
 2, Position: 144.36In
 3, Position: 234.60In
 4, Position: 324.85In
 5, Position: 410.72In

Luff Curve

		Fanned Luff (@ 5.00% [7.20In])	Before BSeam
451.44In,	0.00In	100% (451.46In) :	0.00In
395.18In,	-1.04In	90% (406.32In) :	1.65In
338.58In,	-1.79In	80% (361.16In) :	3.21In
281.84In,	-2.11In	70% (316.02In) :	4.45In
225.72In,	-2.15In	60% (270.88In) :	5.08In
168.21In,	-1.99In	50% (225.73In) :	5.13In
112.86In,	-1.59In	40% (180.58In) :	4.68In
56.26In,	-0.90In	30% (135.44In) :	3.80In
0.00In,	0.00In	20% (90.29In) :	2.64In
		10% (45.15In) :	1.28In
		0% (0.00In) :	0.00In

Mainsail: 7000610 Olivier Mainsail.des



Seam Allowances			
Zone: 1	Split	Radial	Cross
	0.984In	0.984In	0.984In

Edge Excesses			
Sail:	Luff	Leech	Foot
	0.000In	0.000In	0.000In

Total Seam Lengths (In)

Horizontal	887.75
Radial/Vertical	0.00
Bi-Radial Split	0.00

Materials

Material	Area (Ft ²)	Panels
Material 1	273.11	1,2,3,4,5 6,7,8,9,10 11