

# HEADSAIL MEASUREMENT FORM

We require the following information and measurements to enable us to ensure a perfect fit for your new sail. Please note that if asked for max dimensions or max hoist, we will deduct a suitable amount for stretch. Do not measure sails using a rope. It is advisable to use a long fiberglass tape.

CUSTOMER NAME: .....

BOAT TYPE: .....

RIG TYPE: FRACTIONAL OR MASTHEAD

## HOW TO COMPLETE THIS FORM:

Either measure existing sail or enter rig dimensions

### EXISTING SAIL

Pull sail tight for measurement. Ensure each length is a straight line measurement from head to tack and clew.

MAX LUFF	MAX LEECH	MAX FOOT	LP*
m	m	m	m

\* The shortest diagonal distance between the clew and the luff  
Attach at clew, sweep measure in arc at luff.

## MEASURE YOUR RIG

Attach tape measure to genoa halyard and maximum hoist to top block.

1. Take measurement to deck for **(I)**  
Take measurement direct down to side deck.  m

2. Now measure max Luff length **(A)**  
Take measurement to tack pin on furler.  m

3. Now measure **(J)** length.  
Drop halyard, remove tape measure and attach to forestay intersection at bow. Measure length from this position to front of mast.  m

4. Track positions  
Whilst tape measure is attached to tack pin at bow, measure your sheeting track positions to front and back IN STRAIGHT LINE.

TRACK FRONT  m

TRACK BACK  m

## SAIL OPTIONS (circle)

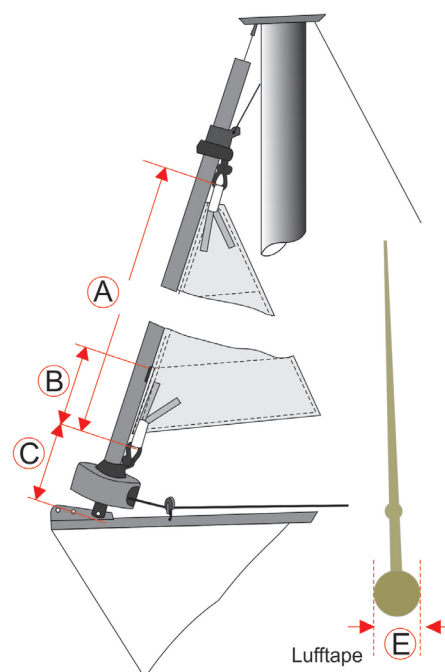
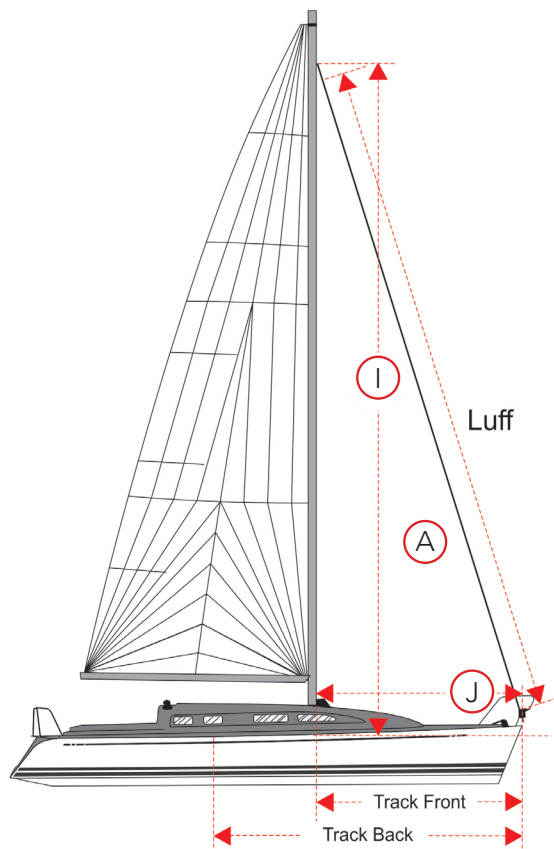
9oz Sunbrella UV Colour - Navy blue, marine blue, red, white, black, other. 5oz Sunbrella Captain Navy, White and Silver.

• UV to Port or Starboard

• Foam Luff Yes/No

• Hanks Yes/No

If Yes: Forestay Diameter  mm



## TACK DETAILS

**(B)** Sail insertion height  mm

**(C)** Deck to top of shackle  mm

**(E)** Diameter of luff tape\*  mm

\*If measuring groove on foil deduct 1mm.