

# Mainsail: 7000605 Flavio-1 Mainsail.des

Design Info  
=====

Design File:  
\\NAS\Engineering files\Queenie-Customer Order\Fareast Sails\2023 Order\Need Confrim Order\7000605 Flavio\7000

Initial Design Date: 15/6/2023  
Boat:

Comments:

Client:

Design Data  
=====

## Main

### Measurements

Luff geodesic:	8.700m
Leech geodesic:	9.162m
Foot geodesic:	3.140m
Head geodesic:	0.115m
Upper width (MUW):	0.642m
Three-quarter width (MTW):	1.153m
Half width (MHW):	1.989m
Quarter width (MQW):	2.625m
Foot median:	8.919m
ORC Mainsail area:	16.092m?
Surface area:	16.561m?
Clew height:	0.100m
Mast rake:	0.000m

### Battens

Position	Length	Roach	Angle	Luff	Leech	Full
82.000%	0.941m	0.216m	72.165?	7.130m	7.484m	Full
62.000%	1.668m	0.280m	72.165?	5.391m	5.659m	Full
41.500%	2.259m	0.247m	72.165?	3.609m	3.788m	Full
21.000%	2.726m	0.143m	72.165?	1.828m	1.917m	Full

### Reefing Points

1, Luff: 1.218m ; Leech: 1.261m ; Offset: 0.000m ; Number Eyelets: 0  
 2, Luff: 2.479m ; Leech: 2.567m ; Offset: 0.000m ; Number Eyelets: 0  
 3, Luff: 3.914m ; Leech: 4.055m ; Offset: 0.000m ; Number Eyelets: 0

### Draft Stripes

1, Luff: 2.870m ; Leech: 2.908m ;  
 2, Luff: 5.741m ; Leech: 5.927m ;

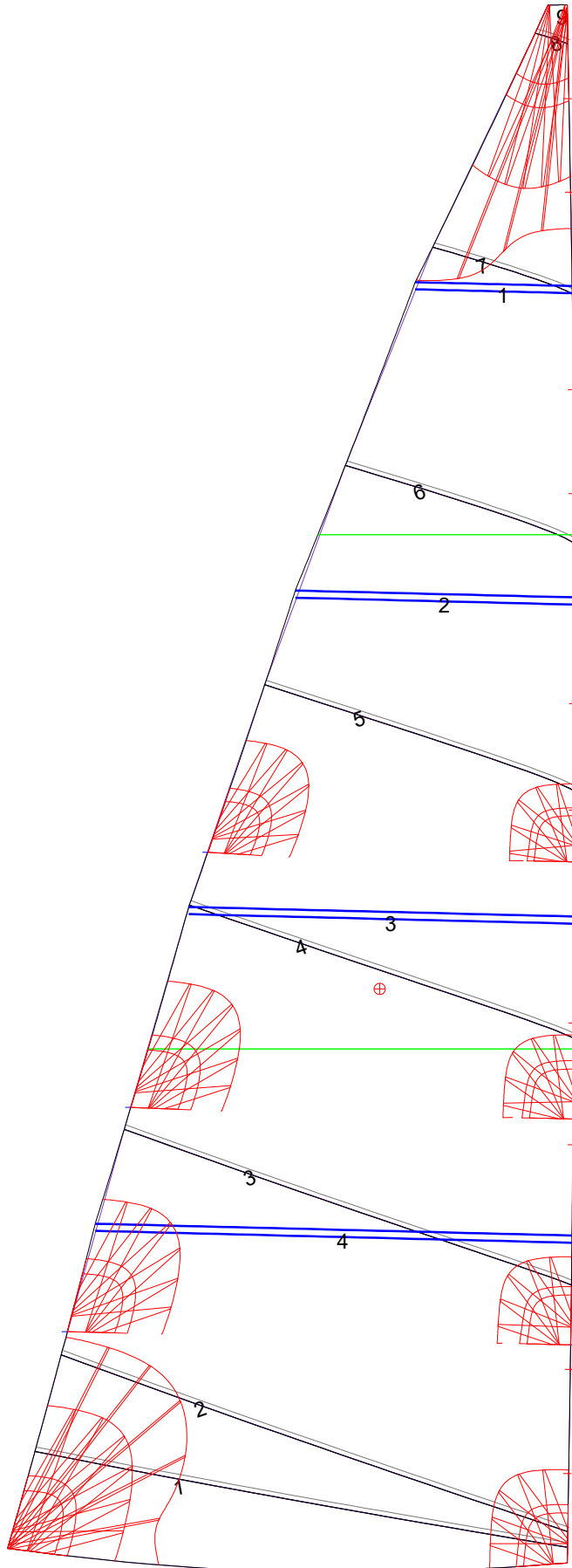
### Luff Slides

1, Position: 0.500m  
 2, Position: 1.081m  
 3, Position: 2.336m  
 4, Position: 3.016m  
 5, Position: 4.203m  
 6, Position: 4.797m  
 7, Position: 5.971m  
 8, Position: 6.550m  
 9, Position: 7.653m  
 10, Position: 8.177m

### Luff Curve

		Fanned Luff (@ 5.00% [0.156m])	Before BSeam
8.700m,	0.000m	100% (8.700m) :	0.000m
7.616m,	-0.020m	90% (7.830m) :	0.035m
6.525m,	-0.034m	80% (6.960m) :	0.068m
5.431m,	-0.041m	70% (6.090m) :	0.093m
4.350m,	-0.041m	60% (5.220m) :	0.107m
3.242m,	-0.038m	50% (4.350m) :	0.108m
2.175m,	-0.031m	40% (3.480m) :	0.098m
1.084m,	-0.017m	30% (2.610m) :	0.080m
0.000m,	0.000m	20% (1.740m) :	0.055m
		10% (0.870m) :	0.026m
		0% (0.000m) :	0.000m

# Mainsail: 7000605 Flavio-1 Mainsail.des



Seam Allowances			
Zone: 1	Split	Radial	Cross
	0.026m	0.026m	0.026m

Edge Excesses			
Sail:	Luff	Leech	Foot
	0.000m	0.000m	0.000m

**Total Seam Lengths (m)**

Horizontal	15.59
Radial/Vertical	0.00
Bi-Radial Split	0.00

**Materials**

Material	Area (m <sup>2</sup> )	Panels
Material 1	16.56	1,2,3,4,5 6,7,8,9