

Mainsail: 7000530 Wolfgang-1 Open 28 MainsailV1.des

Design Info
=====

Design File:
\\NAS\Engineering files\Queenie-Customer Order\Fareast Sails\2023 Order\Need Confrim Order\7000530 Wolfgang70

Initial Design Date: 7/6/2023
Boat:

Comments:

Client:

Design Data
=====

Main

Measurements

Luff geodesic: 8.770m
Leech geodesic: 9.221m
Foot geodesic: 2.970m
Head geodesic: 0.950m
Upper width (MUW): 1.226m
Three-quarter width (MTW): 1.747m
Half width (MHW): 2.350m
Quarter width (MQW): 2.720m
Foot median: 8.965m
ORC Mainsail area: 19.110m?
Surface area: 19.906m?
Clew height: 0.100m
Mast rake: 0.000m

Battens

Position	Length	Roach	Angle	Luff	Leech	Full
100.000%	1.248m	0.000m	115.458?	7.984m	9.161m	Full
89.179%	1.472m	0.238m	82.873?	7.692m	8.169m	Full
75.171%	1.892m	0.330m	79.338?	6.541m	6.886m	Full
52.620%	2.358m	0.321m	78.405?	4.602m	4.820m	Full
26.417%	2.721m	0.198m	78.405?	2.322m	2.420m	Full

Reefing Points

1, Luff: 1.316m ; Leech: 1.332m ; Offset: 0.000m ; Number Eyelets: 0
2, Luff: 2.631m ; Leech: 2.661m ; Offset: 0.000m ; Number Eyelets: 0

Draft Stripes

1, Luff: 2.894m ; Leech: 2.840m ;
2, Luff: 5.788m ; Leech: 5.796m ;

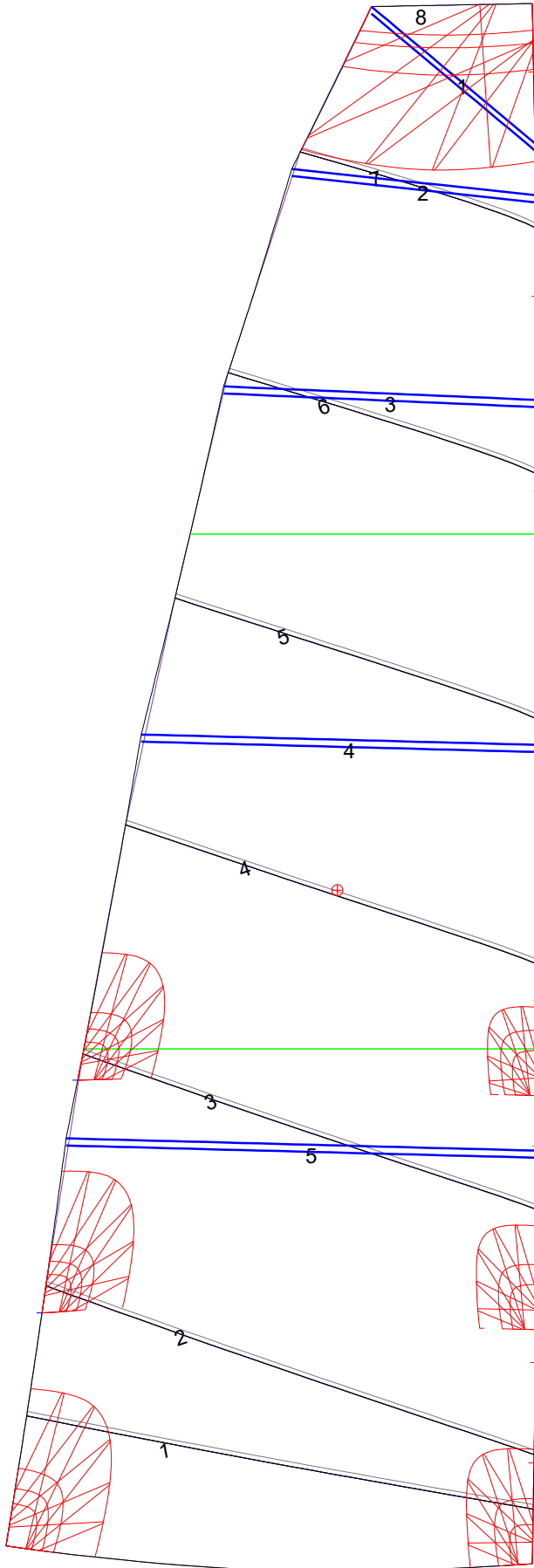
Luff Slides

1, Position: 0.567m
2, Position: 1.130m
3, Position: 2.347m
4, Position: 3.166m
5, Position: 3.949m
6, Position: 4.652m
7, Position: 5.399m
8, Position: 6.032m
9, Position: 7.124m
10, Position: 8.386m

Luff Curve

		Fanned Luff (@ 5.00% [0.148m])	Before BSeam
8.770m,	0.000m	100% (8.770m) :	0.000m
7.677m,	-0.020m	90% (7.893m) :	0.011m
6.577m,	-0.035m	80% (7.016m) :	0.021m
5.475m,	-0.041m	70% (6.139m) :	0.026m
4.385m,	-0.042m	60% (5.262m) :	0.028m
3.268m,	-0.039m	50% (4.385m) :	0.028m
2.192m,	-0.031m	40% (3.508m) :	0.025m
1.093m,	-0.018m	30% (2.631m) :	0.021m
0.000m,	0.000m	20% (1.754m) :	0.015m
		10% (0.877m) :	0.008m
		0% (0.000m) :	0.000m

Mainsail: 7000530 Wolfgang-1 Open 28 MainsailV1.des



Seam Allowances			
Zone: 1	Split	Radial	Cross
	0.025m	0.025m	0.025m

Edge Excesses			
Sail:	Luff	Leech	Foot
	0.000m	0.000m	0.000m

Total Seam Lengths (m)

Horizontal	16.87
Radial/Vertical	0.00
Bi-Radial Split	0.00

Materials

Material	Area (m ²)	Panels
Material 1	19.89	1,2,3,4,5 6,7,8