

Mainsail: 7000526 Francois CS22Main.des

Design Info
=====

Design File:
\\NAS\Engineering files\Queenie-Customer Order\Fareast Sails\2023 Order\Need Confrim Order\7000526 Francois\7000526 Francois

Initial Design Date: 30/5/2023
Boat:

Comments:

Client:

Design Data
=====

Main

Measurements

Luff geodesic: 23.386Ft
 Leech geodesic: 24.165Ft
 Foot geodesic: 6.916Ft
 Head geodesic: 0.335Ft
 Foot(Inc Luff Rope): 6.949Ft
 Head(Inc Luff Rope): 0.368Ft
 Upper width (MUW): 1.597Ft
 Three-quarter width (MTW): 2.804Ft
 Half width (MHW): 4.660Ft
 Quarter width (MQW): 6.003Ft
 Foot median: 23.954Ft
 ORC Mainsail area: 99.988Ft?
 Surface area: 103.351Ft?
 Clew height: -0.703Ft
 Mast rake: 0.800Ft

Battens

Position	Length	Roach	Angle	Luff	Leech	Full
80.000%	2.458Ft	0.664Ft	76.070?	18.698Ft	19.274Ft	Full
60.000%	2.031Ft	0.855Ft	76.070?	14.020Ft	14.455Ft	
40.000%	2.031Ft	0.723Ft	76.070?	9.341Ft	9.637Ft	
20.000%	1.693Ft	0.403Ft	76.070?	4.663Ft	4.818Ft	

Reefing Points

1, Luff: 3.508Ft ; Leech: 3.566Ft ; Offset: 0.000Ft ; Number Eyelets: 2
 2, Luff: 7.016Ft ; Leech: 7.135Ft ; Offset: 0.000Ft ; Number Eyelets: 2

Draft Stripes

1, Luff: 7.717Ft ; Leech: 7.862Ft ;
 2, Luff: 15.435Ft ; Leech: 15.764Ft ;

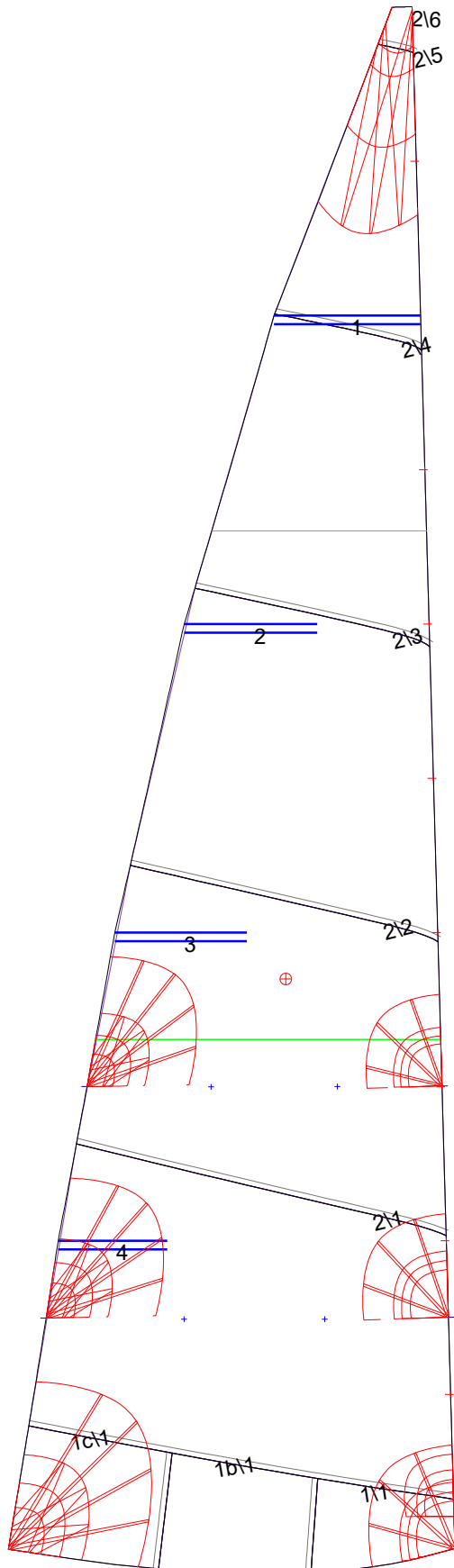
Luff Slides

1, Position: 2.331Ft
 2, Position: 4.663Ft
 3, Position: 7.002Ft
 4, Position: 9.341Ft
 5, Position: 11.681Ft
 6, Position: 14.020Ft
 7, Position: 16.359Ft
 8, Position: 21.042Ft

Luff Curve

		Fanned Luff (@ 5.00% [0.339Ft])	Before BSeam
23.386Ft,	0.000Ft	100% (23.386Ft) :	0.000Ft
21.026Ft,	0.000Ft	90% (21.047Ft) :	0.080Ft
18.688Ft,	0.000Ft	80% (18.709Ft) :	0.153Ft
16.349Ft,	0.000Ft	70% (16.370Ft) :	0.207Ft
14.031Ft,	0.000Ft	60% (14.031Ft) :	0.242Ft
11.692Ft,	0.000Ft	50% (11.693Ft) :	0.252Ft
9.334Ft,	0.000Ft	40% (9.354Ft) :	0.246Ft
7.015Ft,	0.000Ft	30% (7.016Ft) :	0.221Ft
4.637Ft,	0.000Ft	20% (4.677Ft) :	0.182Ft
2.318Ft,	0.000Ft	10% (2.339Ft) :	0.114Ft
0.000Ft,	0.000Ft	0% (0.000Ft) :	0.000Ft

Mainsail: 7000526 Francois CS22Main.des



Seam Allowances

	Split	Radial	Cross
Zone: 1/a	0.082Ft	0.082Ft	0.082Ft
Zone: 1/b	0.082Ft	0.082Ft	0.082Ft
Zone: 1/c	0.082Ft	0.082Ft	0.082Ft
Zone: 2	0.082Ft	0.082Ft	0.082Ft

Edge Excesses

	Luff	Leech	Foot
Sail:	0.000Ft	0.000Ft	0.000Ft

Total Seam Lengths (Ft)

Horizontal	25.21
Radial/Vertical	0.00
Bi-Radial Split	0.00

Materials

Material	Area (Ft ²)	Panels
Material 1	103.03	1\1,1b\1,1c\1,2\1,2\2 2\3,2\4,2\5,2\6