

Genoa: 7000421 Evgeny Fareast 26 130%Genoa.des

Design Info
=====

Design File:
\\NAS\Engineering files\Queenie-Customer Order\Fareast Sails\2023 Order\Need Confrim Order\7000421 Evgeny\700

Initial Design Date: 2/5/2023
Boat:

Comments:

Client:

Design Data
=====

Genoa

Measurements

Luff geodesic:	8.167m
Leech geodesic:	7.977m
Foot geodesic:	3.057m
Headboard width:	0.033m
Luff perpendicular (HLP):	2.990m
Upper width (HUW):	0.347m
Three-quarter width (HTW):	0.677m
Half width (HHW):	1.427m
Quarter width (HQW):	2.226m
Foot median:	8.028m
ORC Headsail area:	11.950m ²
IRC Headsail area:	11.867m ²
Surface area:	12.026m ²
Forestay height:	10.660m
J:	2.300m

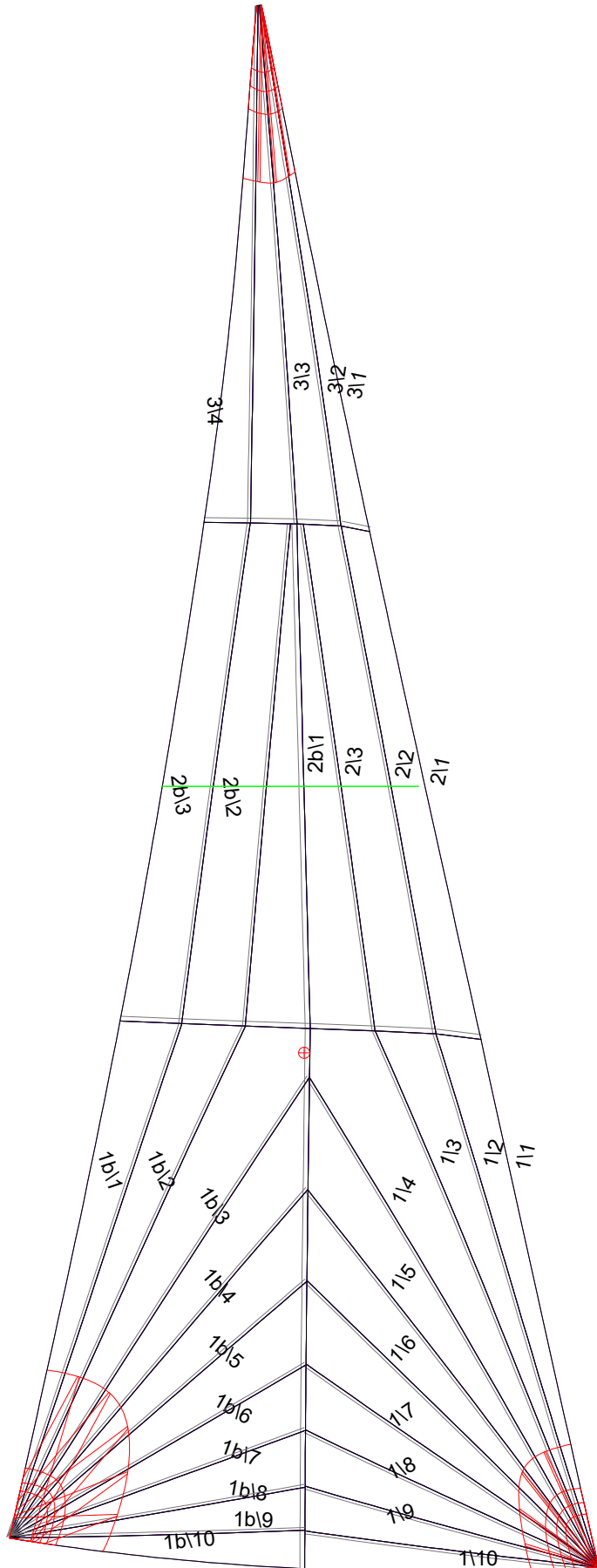
Draft Stripes

1, Luff: 4.096m ; Leech: 3.929m ;

Luff Curve

		Fanned Luff (@ 5.00% [0.150m])	Before BSeam
8.165m,	0.000m	100% (8.166m) :	0.000m -0.000m
7.487m,	0.028m	90% (7.349m) :	-0.028m 0.006m
6.737m,	0.050m	80% (6.533m) :	-0.053m 0.013m
6.076m,	0.062m	70% (5.716m) :	-0.064m 0.024m
5.308m,	0.066m	60% (4.900m) :	-0.065m 0.038m
4.063m,	0.058m	50% (4.083m) :	-0.059m 0.051m
2.654m,	0.039m	40% (3.266m) :	-0.050m 0.061m
1.380m,	0.020m	30% (2.450m) :	-0.040m 0.062m
0.000m,	0.000m	20% (1.633m) :	-0.029m 0.053m
		10% (0.816m) :	-0.016m 0.031m
		0% (0.000m) :	0.000m 0.000m

Genoa: 7000421 Evgeny Fareast 26 130%Genoa.des



Seam Allowances

	Split	Radial	Cross
Zone: 1/a	0.025m	0.015m	0.025m
Zone: 1/b	0.025m	0.015m	0.025m
Zone: 2/a	0.025m	0.015m	0.025m
Zone: 2/b	0.025m	0.015m	0.025m
Zone: 3	0.025m	0.015m	0.025m

Edge Excesses

Sail:	Luff	Leech	Foot
	0.000m	0.000m	0.000m

Total Seam Lengths (m)

Horizontal	2.95
Radial/Vertical	58.23
Bi-Radial Split	5.54

Materials

Material	Area (m ²)	Panels
Material 1	12.05	1i1,1i2,1i3,1i4,1i5 1i6,1i7,1i8,1i9,1i10 1b1,1b2,1b3,1b4,1b5 1b6,1b7,1b8,1b9,1b10 2i1,2i2,2i3,2b1,2b2 2b3,3i1,3i2,3i3,3i4