

Mainsail: 7000416 John MainsailV2.des

Design Info
=====

Design File:
\\NAS\Engineering files\Queenie-Customer Order\Fareast Sails\2023 Order\Need Confrim Order\7000416 John\70004

Initial Design Date: 26/4/2023
Boat:

Comments:
tack angle 89 degree

Client:

Design Data
=====

Main

Measurements

Luff geodesic: 51.480Ft
 Leech geodesic: 53.576Ft
 Foot geodesic: 15.840Ft
 Head geodesic: 0.443Ft
 Upper width (MUW): 3.183Ft
 Three-quarter width (MTW): 5.810Ft
 Half width (MHW): 10.100Ft
 Quarter width (MQW): 13.204Ft
 Foot median: 52.534Ft
 ORC Mainsail area: 479.824Ft?
 Surface area: 490.080Ft?
 Clew height: -0.041Ft
 Mast rake: 0.000Ft

Battens

Position	Length	Roach	Angle	Luff	Leech	Full
82.347%	4.500Ft	0.847Ft	73.747?	42.401Ft	43.997Ft	Full
62.949%	8.250Ft	1.222Ft	73.747?	32.448Ft	33.633Ft	Full
42.586%	11.250Ft	1.050Ft	73.747?	22.001Ft	22.753Ft	Full
21.780%	13.583Ft	0.503Ft	73.747?	11.328Ft	11.637Ft	Full

Reefing Points

1, Luff: 7.720Ft ; Leech: 7.974Ft ; Offset: 0.000Ft ; Number Eyelets: 3
 2, Luff: 15.440Ft ; Leech: 15.922Ft ; Offset: 0.000Ft ; Number Eyelets: 3
 3, Luff: 23.159Ft ; Leech: 23.860Ft ; Offset: 0.000Ft ; Number Eyelets: 2

Draft Stripes

1, Luff: 12.867Ft ; Leech: 13.038Ft ;
 2, Luff: 25.732Ft ; Leech: 26.353Ft ;
 3, Luff: 38.599Ft ; Leech: 39.801Ft ;

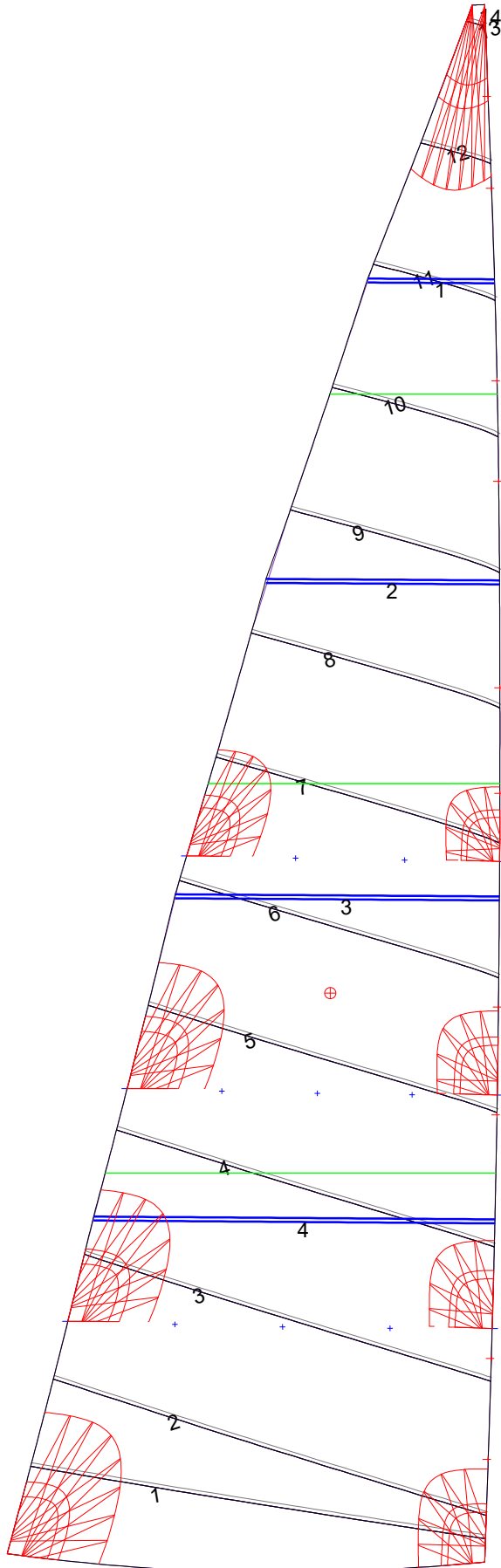
Luff Slides

1, Position: 3.399Ft
 2, Position: 6.736Ft
 3, Position: 14.782Ft
 4, Position: 18.349Ft
 5, Position: 25.407Ft
 6, Position: 28.898Ft
 7, Position: 35.717Ft
 8, Position: 39.043Ft
 9, Position: 45.407Ft
 10, Position: 48.443Ft

Luff Curve

		Fanned Luff (@ 5.00% [0.789Ft])	Before BSeam
51.472Ft,	0.000Ft	100% (51.479Ft) :	0.000Ft
45.057Ft,	-0.243Ft	90% (46.334Ft) :	0.135Ft
38.604Ft,	-0.417Ft	80% (41.184Ft) :	0.253Ft
32.134Ft,	-0.491Ft	70% (36.037Ft) :	0.319Ft
25.735Ft,	-0.500Ft	60% (30.888Ft) :	0.342Ft
19.179Ft,	-0.463Ft	50% (25.740Ft) :	0.342Ft
12.868Ft,	-0.370Ft	40% (20.591Ft) :	0.320Ft
6.414Ft,	-0.210Ft	30% (15.443Ft) :	0.278Ft
0.000Ft,	0.000Ft	20% (10.295Ft) :	0.210Ft
		10% (5.148Ft) :	0.112Ft
		0% (0.000Ft) :	0.000Ft

Mainsail: 7000416 John MainsailV2.des



Seam Allowances			
Zone: 1	Split	Radial	Cross
	0.125Ft	0.125Ft	0.125Ft

Edge Excesses			
Sail:	Luff	Leech	Foot
	0.000Ft	0.000Ft	0.000Ft

Total Seam Lengths (Ft)

Horizontal	123.09
Radial/Vertical	0.00
Bi-Radial Split	0.00

Materials

Material	Area (Ft ²)	Panels
Material 1	490.63	1,2,3,4,5 6,7,8,9,10 11,12,13,14