

Mainsail: 7000416 John Mainsail.des

Design Info
=====

Design File:
\\NAS\Engineering files\Queenie-Customer Order\Fareast Sails\2023 Order\Need Confrim Order\7000416 John\70004

Initial Design Date: 26/4/2023
Boat:

Comments:
tack angle 89 degree

Client:

Design Data
=====

Main

Measurements

Luff geodesic:	15.691m
Leech geodesic:	16.372m
Foot geodesic:	4.979m
Head geodesic:	0.135m
Upper width (MUW):	0.935m
Three-quarter width (MTW):	1.708m
Half width (MHW):	3.020m
Quarter width (MQW):	4.047m
Foot median:	16.027m
ORC Mainsail area:	44.476m?
Surface area:	45.343m?
Clew height:	-0.012m
Mast rake:	0.000m

Battens

Position	Length	Roach	Angle	Luff	Leech	Full
81.482%	1.372m	0.238m	73.747?	12.782m	13.307m	Full
61.354%	2.515m	0.316m	73.747?	9.625m	10.019m	Full
41.408%	3.429m	0.258m	73.747?	6.498m	6.762m	Full
21.521%	4.185m	0.122m	73.747?	3.380m	3.515m	Full

Reefing Points

1, Luff: 2.353m ; Leech: 2.442m ; Offset: 0.000m ; Number Eyelets: 3
2, Luff: 4.706m ; Leech: 4.874m ; Offset: 0.000m ; Number Eyelets: 3

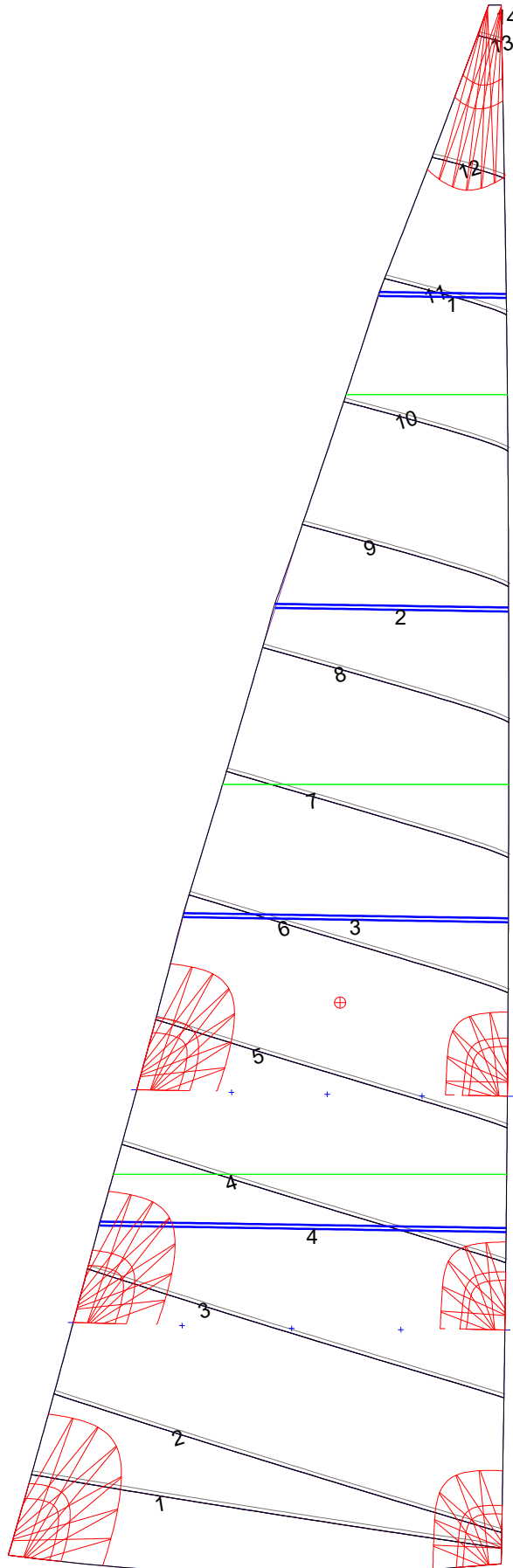
Draft Stripes

1, Luff: 3.922m ; Leech: 3.991m ;
2, Luff: 7.844m ; Leech: 8.066m ;
3, Luff: 11.767m ; Leech: 12.171m ;

Luff Curve

		Fanned Luff (@ 5.00% [0.248m])	Before BSeam
15.690m,	0.000m	100% (15.691m) :	0.000m
13.735m,	-0.037m	90% (14.122m) :	0.057m
11.768m,	-0.063m	80% (12.553m) :	0.110m
9.796m,	-0.074m	70% (10.984m) :	0.152m
7.845m,	-0.075m	60% (9.415m) :	0.174m
5.846m,	-0.070m	50% (7.846m) :	0.177m
3.923m,	-0.056m	40% (6.276m) :	0.162m
1.955m,	-0.032m	30% (4.707m) :	0.133m
0.000m,	0.000m	20% (3.138m) :	0.093m
		10% (1.569m) :	0.045m
		0% (0.000m) :	0.000m

Mainsail: 7000416 John Mainsail.des



Seam Allowances			
Zone: 1	Split	Radial	Cross
	0.038m	0.038m	0.038m

Edge Excesses			
Sail:	Luff	Leech	Foot
	0.000m	0.000m	0.000m

Total Seam Lengths (m)

Horizontal	37.95
Radial/Vertical	0.00
Bi-Radial Split	0.00

Materials

Material	Area (m ²)	Panels
Material 1	45.40	1,2,3,4,5 6,7,8,9,10 11,12,13,14